

214CB SERIES INDUSTRIAL SOLENOID VALVES

The 214CB is a 2-way normally closed valve for air, water, and steam applications.



214CB 3/8B3/8BVLC

FEATURES

- Superior life with stainless steel enclosing tube
- Forged brass body with large wrench flats
- PTFE O-ring for superior external leakage
- Repair kits available

SPECIFICATIONS

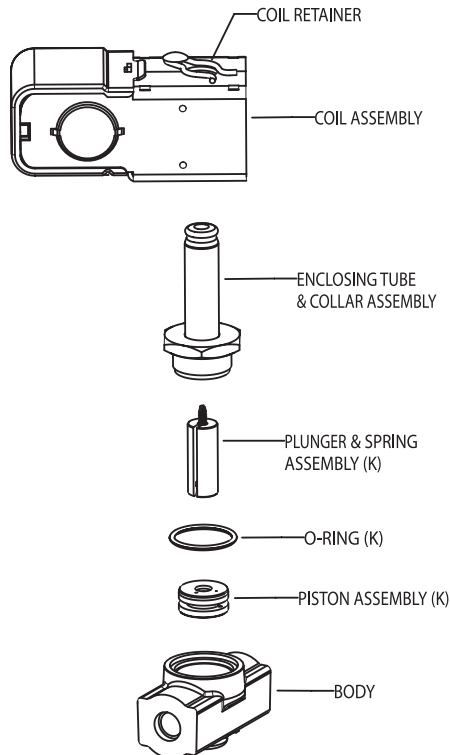
Watts	12 @ 60Hz
VA Inrush.....	44
VA Holding	22
Maximum Working Pressure.....	350 psi (24 bar)
Weight	1 lbs. 4 oz.
Pilot Operated Pressure	2 to 200 psi (0.15 to 14 bar)
UL/CUL file number	MP604

214CB SERIES INDUSTRIAL SOLENOID VALVES

DESCRIPTION	PORT SIZE (IN)	CONNECTION SIZE	MOPD ² AC	CV	MAX. AC FLUID TEMP. ¹	ELASTOMER	SUGGESTED COIL	MODEL NUMBER	ITEM NUMBER
Brass General Purpose	1/4	1/4"	200	1.2	180°F	BUNA-N	AMG	214CB 1/4B1/4BVLC	030540
Brass General Purpose	3/8	3/8"	200	2.2	180°F	BUNA-N	AMG	214CB 3/8B3/8BVLC	030545

1 With an ambient temperature of 77°F
 2 Maximum Operating Pressure Differential
 VLC - See coil assemblies for availability

EXPLODED VIEW & PARTS KIT DATA



VALVE REPAIR KIT

(K) indicates part is supplied in valve repair kit.

214CB COMPLETE VALVE REPAIR KITS

SEAT MATERIAL	MODEL NUMBER	ITEM NUMBER
Buna-N	K-1112	035074
Ethylene Propylene	K-1113	041334