

540RA 9T7TVLC

## 540RA SERIES REFRIGERANT SOLENOID VALVES

The 540RA is a 2-way, normally open diaphragm valve used for liquid, suction and hot gas service.

### FEATURES

- Single coil family fits all valve sizes
- Can be brazed into the line without disassembly
- PTFE diaphragm
- Extended ends for easy installation
- Low pressure differential required for full opening
- Field serviceable parts available

### SPECIFICATIONS

Maximum Fluid Temperature..... 250°F (121°C)  
 Maximum Working Pressure..... 500 psig (35 Bar)  
 Maximum Operating Pressure Differential ..... 250 psig (17 bar)  
 UL/CUL File Number ..... MP604

### MODEL NUMBER NOMENCLATURE - Example: 540RA 8T5VLC

VALVE SERIES	DESIGN SERIES	PORT SIZE	CONNECTION TYPE	CONNECTION SIZE	VALVE CONFIGURATION	*COIL	SEQUENTIAL IDENTIFIER	CUSTOMER SPECIAL	PACK TYPE
540R	A	8	T	5		VLC			
Normally Open Refrigerant Solenoid Valve	Diaphragm Design	In 1/16"	T = Copper Extended Ends	In 1/8"	M = Manual Opening Stem T = Mounting Stud  (Omit for Std. Valve)	VLC = Valve Less Coil  For Valves with Coil See Coil Nomenclature on Coil Catalog Page	Blank Thru -99	G = Customer Special  (Omit for Standard)	B1 = Bulk Pack  (Omit for Individual Pack)

\* Valves are shipped without the solenoid coils (VLC = Valve Less Coil). See coil assemblies for availability. Valves require a DM, MM or ASC2 type coil assembly.

### 540RA SERIES REFRIGERANT SOLENOID VALVES

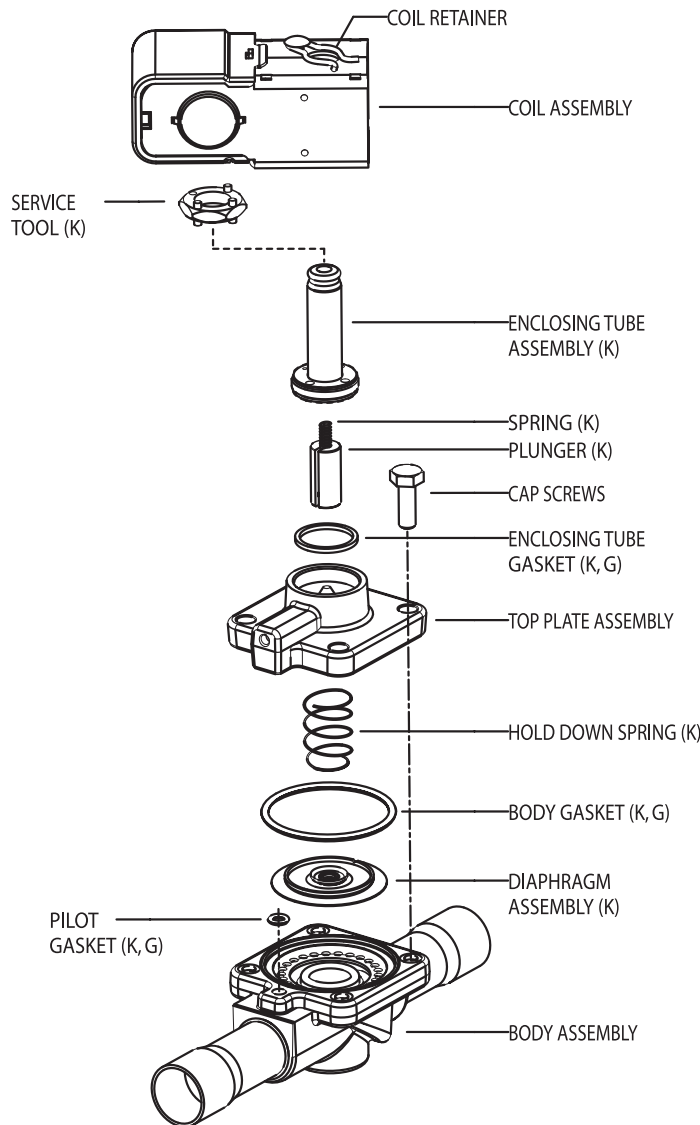
VALVE CONFIG.	PORT SIZE (IN)	CONNECTION SIZE & TYPE	NOMINAL LIQUID CAPACITY - TONS (kW)						MODEL NUMBER	ITEM NUMBER
			R-22	R-134a	R-404A / R-507	R-407C	R-448A / R-449A	R-450A / R-513A		
Standard Valve	1/2	5/8" ODF	15.6 (54.9)	12.1 (42.6)	10.3 (36.2)	14.8 (52.1)	15.7 (55.1)	10.8 (37.8)	540RA 8T5VLC	060392
Standard Valve	9/16	7/8" ODF	30.5 (107.3)	21.0 (74.0)	20.1 (70.7)	29.0 (102.0)	30.6 (107.7)	21.0 (74.0)	540RA 9T7VLC	060395
Standard Valve	3/4	7/8" ODF	34.9 (122.7)	27.1 (95.3)	23.0 (80.9)	33.2 (116.8)	35.0 (123.2)	24.1 (84.6)	540RA 12T7VLC	060397
Standard Valve		1-1/8" ODF							540RA 12T9VLC	060398
Standard Valve	1	1-1/8" ODF	58.0 (203.9)	45.0 (158.3)	38.3 (134.7)	55.2 (194.1)	58.2 (204.8)	40.0 (140.6)	540RA 16T9VLC	060399
Standard Valve	1-1/4	1-5/8" ODF	95.4 (335.5)	70.9 (249.4)	65.7 (231.1)	90.8 (319.3)	95.8 (336.8)	65.8 (231.3)	540RA 20T13VLC	060402
Mounting Stud	1/2	1/2" ODF	15.6 (54.9)	12.1 (42.6)	10.3 (36.2)	14.8 (52.1)	15.7 (55.1)	10.8 (37.8)	540RA 8T4TVLC	058573
Mounting Stud		5/8" ODF							540RA 8T5TVLC	046265
Mounting Stud	9/16	5/8" ODF	23.3 (81.9)	18.0 (63.3)	15.3 (53.8)	22.1 (77.2)	23.4 (82.3)	16.1 (56.5)	540RA 9T5TVLC	046266
Mounting Stud		7/8" ODF	30.5 (107.3)	21.0 (74.0)	20.1 (70.7)	29.0 (102.0)	30.6 (107.7)	21.0 (74.0)	540RA 9T7TVLC	046268
Mounting Stud	3/4	7/8" ODF	34.9 (122.7)	27.1 (95.3)	23.0 (80.9)	33.2 (116.8)	35.0 (123.2)	24.1 (84.6)	540RA 12T7TVLC	046269
Mounting Stud	1	1-1/8" ODF	58.0 (203.9)	45.0 (158.3)	38.3 (134.7)	55.2 (194.1)	58.2 (204.8)	40.0 (140.6)	540RA 16T9TVLC	046270
Mounting Stud	1-1/4	1-3/8" ODF	95.4 (335.5)	70.9 (249.4)	65.7 (231.1)	90.8 (319.3)	95.8 (336.8)	65.8 (231.3)	540RA 20T11TVLC	047953

NOTE: Capacities based on 100°F liquid and 40°F saturated evaporator per ARI standard 760-87. All ratings are based on largest connection size.

540RA SERIES PARTS LIST

DESCRIPTION	MODEL NUMBER	ITEM NUMBER
<b>Complete Kits</b>		
540RA 8 Solenoid Valve Repair Kit (K), Enclosing Tube Assembly and Gasket, Plunger and Spring, Hold Down Spring, Body Gasket and Diaphragm Assembly	KS-30328	060633
540RA 9 Solenoid Valve Repair Kit (K), Enclosing Tube Assembly and Gasket, Plunger and Spring, Hold Down Spring, Body Gasket and Diaphragm Assembly	KS-30329	060634
540RA 12 Solenoid Valve Repair Kit (K), Enclosing Tube Assembly and Gasket, Plunger and Spring, Hold Down Spring, Body Gasket and Diaphragm Assembly	KS-30330	060635
540RA 16 Solenoid Valve Repair Kit (K), Enclosing Tube and Gasket, Plunger and Spring, Hold Down Spring, Body Gasket and Diaphragm Assembly	KS-30331	060636
540RA 20 Solenoid Valve Repair Kit (K), Enclosing Tube and Gasket, Plunger and Spring, Hold Down Spring, Body Gasket and Diaphragm Assembly	KS-30332	060637
<b>Gasket Kit</b>		
240RA and 540RA Gasket Kit (G)	KG-10028	054356
<b>Tool Kits</b>		
100RB, 240RA and 540RA Solenoid Valve Universal (2/3 hole) Spanner Wrench (Included in complete valve kit)	X-11981-1	027451
Magnetic Solenoid Tool closes a normally open solenoid valve in the de-energized state, incorporates a spanner wrench for easy disassembly of solenoid valve series 500RB, 540RA and provides an orifice to manually adjust opening stem.	SOLENOID TOOL	066019

**EXPLODED VIEW & PARTS KIT DATA**



**VALVE REPAIR KIT**

(K) indicates part is supplied in valve repair kit.

**GASKET KIT**

(G) indicates gasket is supplied in gasket kit.