



AAE 1BA-01

A-SERIES THERMOSTATIC EXPANSION VALVES

The A-Series is used for heat pump, air conditioning, food service and commercial refrigeration applications.

FEATURES

- Stainless steel power element prevents corrosion and valve failure
- Hermetic, leak-free construction
- Compact size allows installation in limited spaces
- Mass spectrometer tested to ensure less than 0.10 oz/year external leakage rate
- ODF connections standard - SAE, Chatleff or Aeroquip also available
- External or internal equalizer
- Internal check available for heat pump applications
- Bleed type for pressure equalization available

SPECIFICATIONS

Maximum Working Pressure..... 700 psig (48 bar)
 UR/CUR File Number SA5312
 Canadian CRN 0C21506.513467890YTN

MODEL NUMBER NOMENCLATURE - Example: AAE 2BA-01

SERIES	SUPERHEAT ADJUSTMENT	INTERNAL CHECK VALVE	EQUALIZER	BLEED HOLE	CAPACITY	SYSTEM REFRIGERANT CODE	CHARGE CODE	SEQUENTIAL IDENTIFIER	CUSTOMER SPECIAL	PACK TYPE
A	A		E		2	B	A	-01		
Hermetic Design	A = Adjustable N = Non-Adjustable	C = Internal Check Valve for Reverse Flow Bypass (Heat Pump) Applications (Omit for No Check)	E = External (Omit for Internal)	B = Bleed Hole (Omit for No Bleed Hole)	Nominal Rating in Tons	B = R-448A/R-449A/R-452A D = R-450A/R-513A F = R-12 H = R-22/R-407A M = R-134a N = R-407C P = R-507 R = R-502 S = R-404A/R-407H T = R-290	A = Medium & Low Temp. AA = Wide Range C = Medium Temp. CA = Heat Pump W(MOP) = Press. Limiting Z = Low Temp.	-01 Thru -99	G = Customer Special (Omit for Standard)	B1 = Bulk Pack (Omit for Individual Pack)

A-SERIES THERMOSTATIC EXPANSION VALVES (Body Style Straight Thru)

SYSTEM REFRIGERANT CODE	CAPACITY (NOMINAL TONNAGE)	CHARGE CODE	INLET X OUTLET CONNECTION	ADJUSTABLE SUPERHEAT	INTERNAL CHECK	EQUALIZER	BLEED	CAP LENGTH	MODEL NUMBER	ITEM NUMBER
B (R-448A, R-449A)	1/5	A (Med./Low Temp.)	3/8" X 1/2" ODF	Yes	No	Internal	No	30 In.	AA 1/5BA-01	066885
	1/4	A (Med./Low Temp.)	1/4" X 3/8" ODF	Yes	No	Internal	No	30 In.	AA 1/4BA-02	067033
	1/4	A (Med./Low Temp.)	3/8" X 1/2" ODF	Yes	No	Internal	No	30 In.	AA 1/4BA-01	066886
	1/2	A (Med./Low Temp.)	1/4" X 3/8" ODF	Yes	No	Internal	No	30 In.	AA 1/2BA-02	067035
	1/2	A (Med./Low Temp.)	3/8" X 1/2" ODF	Yes	No	Internal	No	30 In.	AA 1/2BA-01	066887
	1/2	A (Med./Low Temp.)	3/8" X 1/2" ODF	Yes	No	External	No	30 In.	AAE 1/2BA-02	066922
	1	A (Med./Low Temp.)	3/8" X 1/2" ODF	Yes	No	Internal	No	30 In.	AA 1BA-01	066888
	1	A (Med./Low Temp.)	3/8" X 1/2" ODF	Yes	No	External	No	30 In.	AAE 1BA-03	066923
	1	A (Med./Low Temp.)	1/2" X 5/8" ODF	Yes	No	External	No	30 In.	AAE 1BA-04	066931
	1-1/2	A (Med./Low Temp.)	3/8" X 1/2" ODF	Yes	No	External	No	30 In.	AAE 1-1/2BA-01	066889
	1-1/2	A (Med./Low Temp.)	1/2" X 5/8" ODF	Yes	No	External	No	30 In.	AAE 1-1/2BA-04	066928
	2	A (Med./Low Temp.)	3/8" X 1/2" ODF	Yes	No	External	No	30 In.	AAE 2BA-01	066890
	2	A (Med./Low Temp.)	1/2" X 5/8" ODF	Yes	No	External	No	30 In.	AAE 2BA-05	066925
	2	A (Med./Low Temp.)	5/8" X 7/8" ODF	Yes	No	External	No	30 In.	AAE 2BA-06	066932
	2-1/2	A (Med./Low Temp.)	3/8" X 1/2" ODF	Yes	No	External	No	30 In.	AAE 2-1/2BA-01	066891
2-1/2	A (Med./Low Temp.)	1/2" X 5/8" ODF	Yes	No	External	No	30 In.	AAE 2-1/2BA-06	066926	
2-1/2	A (Med./Low Temp.)	5/8" X 7/8" ODF	Yes	No	External	No	30 In.	AAE 2-1/2BA-07	066929	

THERMOSTATIC EXPANSION VALVES

A-SERIES

SYSTEM REFRIGERANT CODE	CAPACITY (NOMINAL TONNAGE)	CHARGE CODE	INLET X OUTLET CONNECTION	ADJUSTABLE SUPERHEAT	INTERNAL CHECK	EQUALIZER	BLEED	CAP LENGTH	MODEL NUMBER	ITEM NUMBER
B (R-448A, R-449A)	3-1/2	A (Med./Low Temp.)	3/8" X 1/2" ODF	Yes	No	External	No	30 In.	AAE 3-1/2BA-01	066892
	3-1/2	A (Med./Low Temp.)	1/2" X 5/8" ODF	Yes	No	External	No	30 In.	AAE 3-1/2BA-04	066927
	3-1/2	A (Med./Low Temp.)	5/8" X 7/8" ODF	Yes	No	External	No	30 In.	AAE 3-1/2BA-05	066930
	4	A (Med./Low Temp.)	3/8" X 1/2" ODF	Yes	No	External	No	30 In.	AAE 4BA-01	066893
	5-1/2	A (Med./Low Temp.)	3/8" X 1/2" ODF	Yes	No	External	No	30 In.	AAE 5-1/2BA-01	066894
D (R-450A, R-513A)	1/8	A (Med./Low Temp.)	1/4" X 3/8" ODF	Yes	No	Internal	No	30 In.	AA 1/8DA-01	067057
	1/8	A (Med./Low Temp.)	3/8" X 1/2" ODF	Yes	No	Internal	No	30 In.	AA 1/8DA-02	067040
	1/8	A (Med./Low Temp.)	3/8" X 1/2" ODF	Yes	No	External	No	30 In.	AAE 1/8DA-01	067045
	1/5	A (Med./Low Temp.)	1/4" X 3/8" ODF	Yes	No	Internal	No	30 In.	AA 1/5DA-01	067058
	1/5	A (Med./Low Temp.)	3/8" X 1/2" ODF	Yes	No	Internal	No	30 In.	AA 1/5DA-02	067041
	1/5	A (Med./Low Temp.)	3/8" X 1/2" ODF	Yes	No	External	No	30 In.	AAE 1/5DA-01	067046
	1/4	A (Med./Low Temp.)	1/4" X 3/8" ODF	Yes	No	Internal	No	30 In.	AA 1/4DA-01	067059
	1/4	A (Med./Low Temp.)	3/8" X 1/2" ODF	Yes	No	Internal	No	30 In.	AA 1/4DA-02	067042
	1/4	A (Med./Low Temp.)	3/8" X 1/2" ODF	Yes	No	External	No	30 In.	AAE 1/4DA-01	067047
	1/2	A (Med./Low Temp.)	3/8" X 1/2" ODF	Yes	No	Internal	No	30 In.	AA 1/2DA-01	067043
	1/2	A (Med./Low Temp.)	3/8" X 1/2" ODF	Yes	No	External	No	30 In.	AAE 1/2DA-01	067048
	3/4	A (Med./Low Temp.)	3/8" X 1/2" ODF	Yes	No	Internal	No	30 In.	AA 3/4DA-01	067044
	3/4	A (Med./Low Temp.)	3/8" X 1/2" ODF	Yes	No	External	No	30 In.	AAE 3/4DA-01	067049
	1	A (Med./Low Temp.)	3/8" X 1/2" ODF	Yes	No	External	No	30 In.	AAE 1DA-01	067050
	1-1/2	A (Med./Low Temp.)	3/8" X 1/2" ODF	Yes	No	External	No	30 In.	AAE 1-1/2DA-01	067051
	2	A (Med./Low Temp.)	3/8" X 1/2" ODF	Yes	No	External	No	30 In.	AAE 2DA-01	067052
	2-1/2	A (Med./Low Temp.)	3/8" X 1/2" ODF	Yes	No	External	No	30 In.	AAE 2-1/2DA-01	067053
3	A (Med./Low Temp.)	3/8" X 1/2" ODF	Yes	No	External	No	30 In.	AAE 3DA-01	067054	
H (R-22) *R-407C	1/4	C (Med. Temp.)	1/4" X 3/8" ODF	Yes	No	Internal	No	5 Ft.	AA 1/4HC-02	056315
	1/4	C (Med. Temp.)	1/4" X 1/2" ODF	Yes	No	Internal	No	5 Ft.	AA 1/4HC-01	055932
	1/2	C (Med. Temp.)	1/4" X 1/2" ODF	Yes	No	External	No	5 Ft.	AAE 1/2HC-02	065632
	1/2	C (Med. Temp.)	1/4" X 1/2" ODF	Yes	No	Internal	No	5 Ft.	AA 1/2HC-03	065626
	1/2	C (Med. Temp.)	3/8" X 3/8" ODF	Yes	No	Internal	No	30 In.	AA 1/2HC-01	056547
	1/2	C (Med. Temp.)	3/8" X 1/2" ODF	Yes	No	External	No	5 Ft.	AAE 1/2HC-03	065633
	1/2	C (Med. Temp.)	3/8" X 1/2" SAE	Yes	No	External	No	5 Ft.	AAE 1/2HC-01	057987
	1/2	C (Med. Temp.)	3/8" X 1/2" SAE	Yes	No	Internal	No	5 Ft.	AA 1/2HC-02	057828
	1	C (Med. Temp.)	1/4" X 3/8" ODF	Yes	No	External	No	30 In.	AAE 1HC-02	059582
	1	C (Med. Temp.)	1/4" X 1/2" ODF	Yes	No	External	No	5 Ft.	AAE 1HC-05	065634
	1	C (Med. Temp.)	3/8" X 1/2" ODF	Yes	No	External	No	5 Ft.	AAE 1HC-06	065635
	1	CA (Heat Pump)	3/8" X 1/2" ODF	Yes	Yes	External	No	30 In.	AACE 1HCA-01	063795
	1-1/2	C (Med. Temp.)	3/8" X 1/2" ODF	Yes	No	External	No	5 Ft.	AAE 1-1/2HC-04	064424
	1-1/2	CA (Heat Pump)	3/8" X 1/2" ODF	Yes	Yes	External	No	5 Ft.	AACE 1-1/2HCA-01	058923
	1-1/2	CA (Heat Pump)	3/8" X 1/2" ODF	Yes	Yes	External	Yes	30 In.	AACEB 1-1/2HCA-01	065842
	2	C (Med. Temp.)	3/8" X 1/2" ODF	Yes	No	External	No	5 Ft.	AAE 2HC-05	064425
	2	CA (Heat Pump)	3/8" X 1/2" ODF	Yes	No	External	No	30 In.	AAE 2HCA-01	049632
	2	CA (Heat Pump)	3/8" X 1/2" ODF	Yes	No	External	Yes	30 In.	AAEB 2HCA-02	059616
	2	CA (Heat Pump)	3/8" X 1/2" ODF	Yes	Yes	External	No	30 In.	AACE 2HCA-02	063676
	2	CA (Heat Pump)	3/8" X 1/2" ODF	Yes	Yes	External	Yes	30 In.	AACEB 2HCA-02	065959
	2-1/2	AA (Wide Range)	3/8" X 1/2" ODF	Yes	No	External	No	30 In.	AAE 2-1/2HAA-02	063648
	2-1/2	AA (Wide Range)	3/8" X 1/2" ODF	Yes	Yes	External	No	30 In.	AACE 2-1/2HAA-03	064102
	2-1/2	AA (Wide Range)	Chatleff	Yes	No	External	No	30 In.	AAE 2-1/2HAA-01G	013938
	2-1/2	AA (Wide Range)	Chatleff	Yes	Yes	External	No	30 In.	AACE 2-1/2HAA-01G	014091
	2-1/2	CA (Heat Pump)	3/8" X 1/2" ODF	Yes	No	External	No	30 In.	AAE 2-1/2HCA-01	049633
	3	C (Med. Temp.)	3/8" X 1/2" ODF	Yes	No	External	No	5 Ft.	AAE 3HC-03	062376
	3	C (Med. Temp.)	3/8" X 1/2" SAE	Yes	No	External	No	5 Ft.	AAE 3HC-01	056686
	3	CA (Heat Pump)	3/8" X 1/2" ODF	Yes	No	External	No	30 In.	AAE 3HCA-03	049634
3	CA (Heat Pump)	3/8" X 1/2" ODF	Yes	No	External	Yes	30 In.	AAEB 3HCA-02	059603	
3	CA (Heat Pump)	3/8" X 1/2" ODF	Yes	Yes	External	No	5 Ft.	AACE 3HCA-05	065868	
3	CA (Heat Pump)	3/8" X 1/2" ODF	Yes	Yes	External	Yes	30 In.	AACEB 3HCA-02	065941	

A-SERIES

THERMOSTATIC EXPANSION VALVES

SYSTEM REFRIGERANT CODE	CAPACITY (NOMINAL TONNAGE)	CHARGE CODE	INLET X OUTLET CONNECTION	ADJUSTABLE SUPERHEAT	INTERNAL CHECK	EQUALIZER	BLEED	CAP LENGTH	MODEL NUMBER	ITEM NUMBER
H (R-22) *R-407C	3	CA (Heat Pump)	3/8" X 5/8" ODF	Yes	Yes	External	No	30 In.	AAE 3HCA-03	064428
	3	CA (Heat Pump)	1/2" X 5/8" ODF	Yes	No	External	No	30 In.	AAE 3HCA-04	060643
	3	CA (Heat Pump)	1/2" X 5/8" ODF	Yes	Yes	External	No	5 Ft.	AAE 3HCA-04	065797
	3	W100 (MOP)	3/8" X 5/8" ODF	Yes	No	External	No	5 Ft.	AAE 3HW100-03	062412
	4	C (Med. Temp.)	1/2" X 5/8" ODF	Yes	No	External	No	5 Ft.	AAE 4HC-02	061960
	4	CA (Heat Pump)	3/8" X 1/2" ODF	Yes	No	External	No	30 In.	AAE 4HCA-04	049638
	4	CA (Heat Pump)	3/8" X 1/2" ODF	Yes	Yes	External	No	5 Ft.	AAE 4HCA-03	065869
	4	CA (Heat Pump)	3/8" X 5/8" ODF	Yes	Yes	External	Yes	30 In.	AAE 4HCA-01	065844
	4	CA (Heat Pump)	1/2" X 1/2" ODF	Yes	No	External	No	30 In.	AAE 4HCA-06	061247
	4	CA (Heat Pump)	1/2" X 1/2" ODF	Yes	No	External	Yes	30 In.	AAE 4HCA-05	059605
	5	AA (Wide Range)	3/8" X 1/2" ODF	Yes	No	External	No	30 In.	AAE 5HAA-07	063649
	5	AA (Wide Range)	3/8" X 1/2" ODF	Yes	Yes	External	No	30 In.	AAE 5HAA-04	064103
	5	AA (Wide Range)	1/2" X 5/8" ODF	Yes	Yes	External	No	5 Ft.	AAE 5HAA-05	065863
	5	AA (Wide Range)	Chatleff	Yes	No	External	No	30 In.	AAE 5HAA-01G	013939
	5	AA (Wide Range)	Chatleff	Yes	Yes	External	No	30 In.	AAE 5HAA-01G	014092
	5	C (Med. Temp.)	1/2" X 5/8" ODF	Yes	No	External	No	5 Ft.	AAE 5HC-04	059565
	5	C (Med. Temp.)	5/8" X 7/8" ODF	Yes	No	External	No	30 In.	AAE 5HC-05	061805
	5	CA (Heat Pump)	3/8" X 1/2" ODF	Yes	No	External	No	30 In.	AAE 5HCA-03	054024
	5	CA (Heat Pump)	1/2" X 1/2" ODF	Yes	No	External	Yes	30 In.	AAE 5HCA-04	059607
	M (R-134a) *R-12	1/8	C (Med. Temp.)	1/4" X 3/8" ODF	Yes	No	Internal	No	30 In.	AA 1/8MC-03
1/8		C (Med. Temp.)	1/4" X 1/2" ODF	Yes	No	Internal	No	30 In.	AA 1/8MC-02	065821
1/4		C (Med. Temp.)	1/4" X 3/8" ODF	Yes	No	External	No	30 In.	AAE 1/4MC-01	066486
1/4		C (Med. Temp.)	1/4" X 3/8" ODF	Yes	No	Internal	No	30 In.	AA 1/4MC-05	062051
1/4		C (Med. Temp.)	1/4" X 1/2" ODF	Yes	No	Internal	No	5 Ft.	AA 1/4MC-08	065623
1/2		C (Med. Temp.)	1/4" X 3/8" SAE	Yes	No	Internal	No	30 In.	AA 1/2MC-03	058985
1/2		C (Med. Temp.)	1/4" X 1/2" ODF	Yes	No	External	No	5 Ft.	AAE 1/2MC-04	065630
1/2		C (Med. Temp.)	1/4" X 1/2" ODF	Yes	No	Internal	No	5 Ft.	AA 1/2MC-07	065624
1/2		Z (Low Temp.)	1/4" X 3/8" SAE	Yes	No	Internal	No	30 In.	AA 1/2MZ-01	058986
1		C (Med. Temp.)	3/8" X 1/2" ODF	Yes	No	External	No	5 Ft.	AAE 1MC-03	065631
1		C (Med. Temp.)	3/8" X 1/2" ODF	Yes	No	Internal	No	30 In.	AA 1MC-02	065776
S (R-404A) *R-502 *R-507		1/8	C (Med. Temp.)	1/4" X 3/8" ODF	Yes	No	Internal	No	30 In.	AA 1/8SC-03
	1/4	C (Med. Temp.)	1/4" X 1/2" ODF	Yes	No	External	No	30 In.	AAE 1/4SC-04	066422
	1/4	C (Med. Temp.)	1/4" X 1/2" ODF	Yes	No	Internal	No	30 In.	AA 1/4SC-03	063503
	1/4	W45 (MOP)	1/4" X 3/8" ODF	Yes	No	Internal	No	5 Ft.	AA 1/4SW45-02	065676
	1/4	W45 (MOP)	1/4" X 1/2" ODF	Yes	No	External	No	30 In.	AAE 1/4SW45-01	066508
	1/4	Z (Low Temp.)	1/4" X 3/8" ODF	Yes	No	Internal	No	30 In.	AA 1/4SZ-05	065202
	1/4	Z (Low Temp.)	1/4" X 3/8" ODF	Yes	No	Internal	No	5 Ft.	AA 1/4SZ-06	065675
	1/4	Z (Low Temp.)	1/4" X 1/2" ODF	Yes	No	External	No	30 In.	AAE 1/4SZ-01	066435
	1/2	C (Med. Temp.)	1/4" X 1/2" ODF	Yes	No	External	No	30 In.	AAE 1/2SC-04	066423
	1/2	C (Med. Temp.)	1/4" X 1/2" ODF	Yes	No	Internal	No	30 In.	AA 1/2SC-02	063504
	1/2	C (Med. Temp.)	3/8" X 1/2" ODF	Yes	No	External	No	5 Ft.	AAE 1/2SC-03	066085
	1/2	W45 (MOP)	1/4" X 1/2" ODF	Yes	No	External	No	5 Ft.	AAE 1/2SW45-01	065636
	1/2	W45 (MOP)	1/4" X 1/2" ODF	Yes	No	Internal	No	5 Ft.	AA 1/2SW45-01	065685
	1/2	W45 (MOP)	3/8" X 1/2" ODF	Yes	No	External	No	5 Ft.	AAE 1/2SW45-02	065688
	1/2	Z (Low Temp.)	1/4" X 1/2" ODF	Yes	No	External	No	30 In.	AAE 1/2SZ-04	066436
	1/2	Z (Low Temp.)	1/4" X 1/2" ODF	Yes	No	Internal	No	5 Ft.	AA 1/2SZ-06	065682
	1/2	Z (Low Temp.)	3/8" X 1/2" ODF	Yes	No	External	No	5 Ft.	AAE 1/2SZ-02	065687
	1/2	Z (Low Temp.)	3/8" X 1/2" ODF	Yes	No	Internal	No	30 In.	AA 1/2SZ-05	063925
	3/4	C (Med. Temp.)	3/8" X 1/2" ODF	Yes	No	External	No	5 Ft.	AAE 3/4SC-02	066086
	3/4	C (Med. Temp.)	3/8" X 1/2" ODF	Yes	No	Internal	No	30 In.	AA 3/4SC-01	066200
3/4	W45 (MOP)	3/8" X 1/2" ODF	Yes	No	External	No	30 In.	AAE 3/4SW45-01	066509	

THERMOSTATIC EXPANSION VALVES

A-SERIES

SYSTEM REFRIGERANT CODE	CAPACITY (NOMINAL TONNAGE)	CHARGE CODE	INLET X OUTLET CONNECTION	ADJUSTABLE SUPERHEAT	INTERNAL CHECK	EQUALIZER	BLEED	CAP LENGTH	MODEL NUMBER	ITEM NUMBER
S (R-404A) *R-502 *R-507	3/4	W45 (MOP)	3/8" X 1/2" ODF	Yes	No	Internal	No	30 In.	AA 3/4SW45-01	065686
	3/4	Z (Low Temp.)	3/8" X 1/2" ODF	Yes	No	External	No	30 In.	AAE 3/4SZ-02	066437
	3/4	Z (Low Temp.)	3/8" X 1/2" ODF	Yes	No	Internal	No	30 In.	AA 3/4SZ-02	065149
	1	C (Med. Temp.)	3/8" X 1/2" ODF	Yes	No	External	No	5 Ft.	AAE 1SC-03	066087
	1	C (Med. Temp.)	3/8" X 1/2" ODF	Yes	No	Internal	No	30 In.	AA 1SC-03	066201
	1	W 45 (MOP)	3/8" X 1/2" ODF	Yes	No	External	No	5 Ft.	AAE 1SW45-01	065637
	1	Z (Low Temp.)	3/8" X 1/2" ODF	Yes	No	External	No	5 Ft.	AAE 1SZ-02	065183
	1-1/4	C (Med. Temp.)	3/8" X 1/2" ODF	Yes	No	External	No	5 Ft.	AAE 1-1/4SC-03	066081
	1-1/4	W45 (MOP)	3/8" X 1/2" ODF	Yes	No	External	No	5 Ft.	AAE 1-1/4SW45-01	066079
	1-1/4	Z (Low Temp.)	3/8" X 1/2" ODF	Yes	No	External	No	5 Ft.	AAE 1-1/4SZ-02	066080
	1-1/2	C (Med. Temp.)	3/8" X 1/2" ODF	Yes	No	External	No	5 Ft.	AAE 1-1/2SC-01	066448
	1-1/2	W45 (MOP)	3/8" X 1/2" ODF	Yes	No	External	No	5 Ft.	AAE 1-1/2SW45-01	065698
	1-1/2	Z (Low Temp.)	3/8" X 1/2" ODF	Yes	No	External	No	5 Ft.	AAE 1-1/2SZ-01	065697
	2	C (Med. Temp.)	3/8" X 1/2" ODF	Yes	No	External	No	30 In.	AAE 2SC-03	065330
	2	W45 (MOP)	3/8" X 1/2" ODF	Yes	No	External	No	5 Ft.	AAE 2SW45-01	065690
	2	Z (Low Temp.)	3/8" X 1/2" ODF	Yes	No	External	No	5 Ft.	AAE 2SZ-03	065689
	2-1/4	C (Med. Temp.)	3/8" X 1/2" ODF	Yes	No	External	No	5 Ft.	AAE 2-1/4SC-02	066084
	2-1/4	W45 (MOP)	3/8" X 1/2" ODF	Yes	No	External	No	5 Ft.	AAE 2-1/4SW45-01	066082
	2-1/4	Z (Low Temp.)	3/8" X 1/2" ODF	Yes	No	External	No	5 Ft.	AAE 2-1/4SZ-01	066083
	2-1/2	W45 (MOP)	1/2" X 5/8" ODF	Yes	No	External	No	5 Ft.	AAE 2-1/2SW45-01	065148
2-1/2	Z (Low Temp.)	1/2" X 5/8" ODF	Yes	No	External	No	5 Ft.	AAE 2-1/2SZ-01	065691	
3	C (Med. Temp.)	3/8" X 1/2" ODF	Yes	No	External	No	5 Ft.	AAE 3SC-01	066510	
3	W45 (MOP)	3/8" X 1/2" ODF	Yes	No	External	No	5 Ft.	AAE 3SW45-01	065693	
3	Z (Low Temp.)	3/8" X 1/2" ODF	Yes	No	External	No	5 Ft.	AAE 3SZ-01	065692	
T (R-290)	1/5	A (Med./Low Temp.)	1/4" X 3/8" ODF	Yes	No	Internal	No	30 In.	AA 1/5TA-02	066987
	1/5	A (Med./Low Temp.)	3/8" X 1/2" ODF	Yes	No	Internal	No	30 In.	AA 1/5TA-01	066941
	1/4	A (Med./Low Temp.)	3/8" X 1/2" ODF	Yes	No	Internal	No	30 In.	AA 1/4TA-01	066942
	1/2	A (Med./Low Temp.)	3/8" X 1/2" ODF	Yes	No	Internal	No	30 In.	AA 1/2TA-01	066943
	1	A (Med./Low Temp.)	3/8" X 1/2" ODF	Yes	No	Internal	No	30 In.	AA 1TA-01	066944
	1-1/2	A (Med./Low Temp.)	3/8" X 1/2" ODF	Yes	No	Internal	No	30 In.	AA 1-1/2TA-01	066945

* Valve capacity is for the first refrigerant listed. To determine the capacity for additional refrigerants listed, consult the Nominal Capacity Tables for Interchangeable Refrigerants.

A-SERIES PARTS LIST

DESCRIPTION	MODEL NUMBER	ITEM NUMBER
A-Series Thermostatic Expansion Valve Chatleff Gasket Kit	KG-10045	066031

NOMINAL CAPACITY TABLE FOR INTERCHANGEABLE REFRIGERANTS IN TONS (kW)

R-134a	R-12	R-404A / R-507	R-502	R-22 / R-290	R-407C / R-407A
1/8 (0.4)	—	1/8 (0.4)	—	1/5 (0.7)	1/5 (0.7)
1/4 (0.9)	1/8 (0.4)	1/4 (0.9)	1/8 (0.4)	1/4 (0.9)	1/4 (0.9)
1/2 (1.8)	1/4 (0.9)	1/2 (1.8)	1/4 (0.9)	1/2 (1.8)	1/2 (1.8)
3/4 (2.6)	1/2 (1.8)	3/4 (2.6)	1/2 (1.8)	1 (3.5)	1 (3.5)
1 (3.5)	1 (3.5)	1 (3.5)	1 (3.5)	1-1/2 (5.3)	1-1/4 (4.4)
1-1/2 (5.3)	—	1-1/4 (4.4)	—	2 (7)	2 (7)
2 (7)	1-1/2 (5.3)	2 (7)	1-1/2 (5.3)	2-1/2 (8.8)	2-1/2 (8.8)
2-1/2 (8.8)	2 (7)	2-1/4 (7.2)	2 (7)	3 (10.6)	3-1/4 (11.4)
3 (10.6)	2-1/2 (8.8)	2-1/2 (8.8)	2-1/2 (8.8)	4 (14.1)	4 (14.1)
4 (14.1)	3 (10.6)	3-1/2 (12.3)	3 (10.6)	5 (17.6)	5-1/4 (18.5)

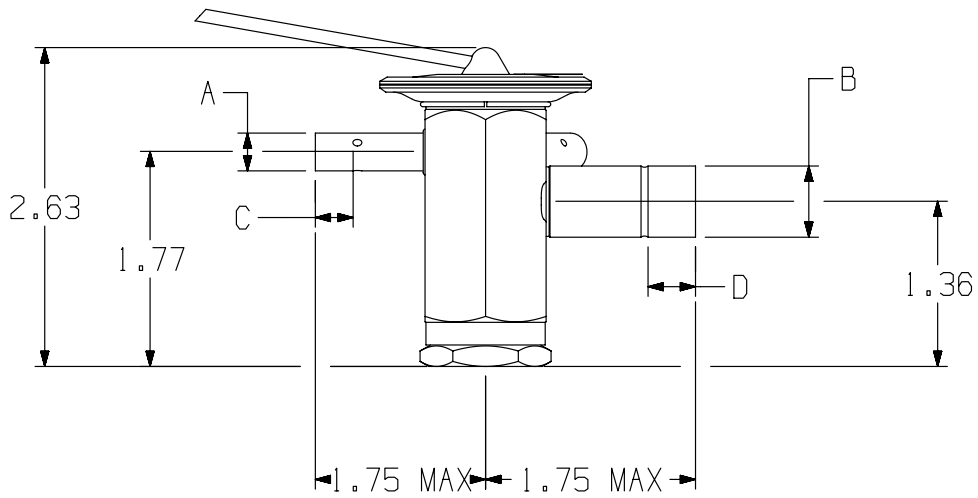
All capacities shown are at 100°F condensing, 40°F evaporator temperature.
See Extended Capacity Tables for ratings at a wide range of conditions per AHRI standard 750.

DIMENSIONAL DATA (IN)

CONNECTION SIZE		A ± .002	B ± .002	C MIN	D MIN	E	F
INLET	OUTLET						
1/4 ODF	3/8 ODF	0.25	0.38	0.32	0.32	1.70	1.73
3/8 ODF	3/8 ODF	0.38	0.38	0.32	0.32	1.70	1.73
3/8 ODF	1/2 ODF	0.38	0.50	0.32	0.38	1.73	1.73
1/2 ODF	1/2 ODF	0.50	0.50	0.38	0.38	1.73	1.73
1/2 ODF	5/8 ODF	0.63	0.61	0.38	0.50	1.75	1.75

For adjustable valves, add 0.78 to body length.

DIMENSIONAL DIAGRAM



Capacity
Tables (Tons)