

Contact lists

Emerson Commercial & Residential Solutions

Asia Pacific Headquarters

Emerson Climate Technologies
Suite No. 2503-8, 25/F,
Exchange Tower, 33 Wang Chiu Road,
Kowloon Bay, Kowloon, Hong Kong
Tel: (852) 2866 3108
Fax: (852) 2520 6227

Australia

Emerson Climate Technologies
Australia Pty Ltd
356 Chisholm Road
Auburn NSW 2144, Australia
Tel: (612) 9795 2800
Fax: (612) 9738 1699

China - Beijing

Emerson Climate Technologies
(Suzhou) Co. Ltd
Beijing Sales Office
Room 1017 JianWei Building,
66 Nan Lishi Road, XiCheng District,
Beijing, PRC
Tel: (8610) 5763 0488
Fax: (8610) 5763 0499

China - Guangzhou

Emerson Climate Technologies
(Suzhou) Co. Ltd
Guangzhou Sales Office
508-509 R&F Yinglong Plaza,
No. 76 Huangpu Road West,
Guangzhou, PRC
Tel: (8620) 2886 7668
Fax: (8620) 2886 7622

China - Shanghai

Emerson Climate Technologies
(Suzhou) Co. Ltd
Shanghai Sales Office
7F, Emerson Building, 1582 Gumei
Rd, Shanghai, PRC
Tel: (8621) 3338 7333

India - Mumbai

Emerson Climate Technologies (India) Ltd
Delphi B-Wing, 601-602, 6th Floor
Central Avenue, Hiranandani Business Park,
Powai, Mumbai 400076
Tel: (9122) 6786 0793
Fax: (9122) 6662 0500

India - Pune

Emerson Climate Technologies (India) Ltd
Plot No. 23, Rajiv Gandhi Infotech Park,
Phase - II, Hinjewadi,
Pune 411 057, Maharashtra, India
Tel: (9120) 4200 2000
Fax: (9120) 4200 2099

Indonesia

PT Emerson Indonesia
BSD Taman Tekno 8
Jl. Tekno Widya Blok H10 No 2 & 3
Tangerang Selatan 15314
Indonesia
Tel: (6221) 2966 6242
Fax: (6221) 2966 6245

Japan

Emerson Japan Ltd
Shin-yokohama Tosho Building
No. 3-9-5 Shin-Yokohama, Kohoku-ku
Yokohama 222-0033 Japan
Tel: (8145) 475 6371
Fax: (8145) 475 3565

Malaysia

Emerson Electric (Malaysia) Sdn. Bhd.
Level M2, Blk A, Menara PKNS-PJ
Jalan Yong Shook Lin
46050 Petaling Jaya, Selangor, Malaysia
Tel: (603) 7949 9222
Fax: (603) 7949 9333

Middle East & Africa

Emerson Climate Technologies
PO Box 26382
Jebel Ali Free Zone - South
Dubai, UAE
Tel: (9714) 811 8100
Fax: (9714) 886 5465

Philippines

Emerson Climate Technologies
10/F SM Cyber West Avenue, EDSA cor. West
Avenue, Barangay Bungad, Diliman, Quezon
City 1105 Philippines
Tel: (632) 689 7200

Saudi Arabia

Emerson Arabia Inc.
P.O Box 34332 - 3620 Building 7874
Unit 1, 67th street 2nd Industrial City
Dammam, Saudi Arabia
Toll Free: 8008443426
Tel: + 966 3 8147560
Fax: + 966 3 8147570

South Korea

Emerson Electric Korea Ltd.
3F POBA Gangnam Tower
343, Hakdong-ro, Gangnam-gu,
Seoul 135-820, Republic of Korea
Tel: (822) 3483 1500
Fax: (822) 592 7883

Taiwan

Emerson Electric (Taiwan) Co. Ltd
3F No. 122 Lane 235,
Pao Chiau Rd., XinDian Dist.,
New Taipei City 23145, Taiwan (R.O.C.)
Tel: (8862) 8912 1360
Fax: (8862) 8912 1890

Thailand - Bangkok

Emerson Electric (Thailand) Ltd
34th Floor, Interlink Tower,
1858/133, Bangna Trad,
Bangkok 10260, Thailand
Tel: (662) 716 4700
Fax: (662) 751 4241

United Arab Emirates

Emerson Climate Technologies FZE
Jebel Ali Free Zone
PO Box 26382
Dubai UAE
Toll Free: 8004413428
Tel: + 971 4 8118100
Fax: + 971 4 8865465

Vietnam

Emerson Commercial & Residential Solutions
Level 6, Melinh Point Tower, 2 Ngo Due Ke,
District 1, Ho Chi Minh City
Vietnam
Tel: (84) 908 009 189

Copeland Scroll™ Variable Speed Compressors for Residential Air Conditioning Applications



EmersonClimateAsia.com

Asia 02 B01 05 - R02 Issued 4/2017

Emerson, Copeland PerformanceAlert, CoreSense and Copeland Scroll are trademarks of Emerson Electric Co. or one of its affiliated companies. ©2017 Emerson Climate Technologies, Inc. All rights reserved.

EMERSON. CONSIDER IT SOLVED.™

COPELAND™


EMERSON™

Copeland Scroll™ Variable Speed Compressor

The Copeland Scroll variable speed compressors are designed with innovative technologies to provide the ultimate in energy efficiency and quiet operation for consistent comfort.

The Copeland Scroll variable speed compressor are optimized for SEER and APF. Also Enhanced Vapor Injection design is available for all variable speed compressors to achieve higher heating capacity and energy efficiency as well as more reliable heating system operation at -25°C ambient temperature.

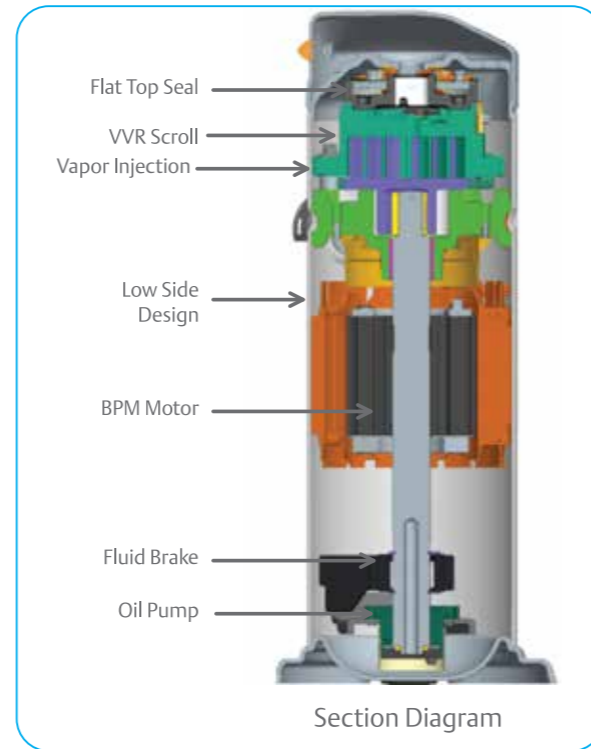
The Copeland Scroll variable speed compressors build upon the reliability and proven performance from 25 years of Emerson's scroll experience and more than 100 million Copeland Scroll installations around the world.

Benefits

- High full and part load efficiency
- Low sound and vibration
- Copeland Scroll axial and radial compliance for superior reliability
- Wide applications for VRF, PAC, Water Heating and Floor Heating Systems

Key Features

- Variable volume ratio (VVR) : Enhanced low pressure ratio COP
- High efficiency Emerson BPM motor
- Enhanced vapor injection (EVI) : Optional
- Low side design : Proven reliability
- Fluid brake : Drive protection for power failure
- Positive displacement oil pump : Providing reliable lubrication
- 3.4 mm thicker shell for sound reduction



Product Line-up

System Size	7.2kW	10kW	12kW	14kW	16kW	18kW	20kW	22kW	25kW
VRF Application						6-8hp 50cc	15-120Hz 20-25kW Optimized Efficiency 3Ph 380-420V		
			5hp 38cc	15-120Hz 14/16/18kW Optimized Efficiency 1Ph 220-240V / 3Ph 380-420V					
		4hp 30cc	15-120Hz 10/12/14kW Optimized Efficiency 1Ph 220-240V / 3Ph 380-420V						
PAC Application		3hp 20cc	15-120Hz 10/12/14kW Optimized Efficiency 1Ph 220-240V / 3Ph 380-420V						

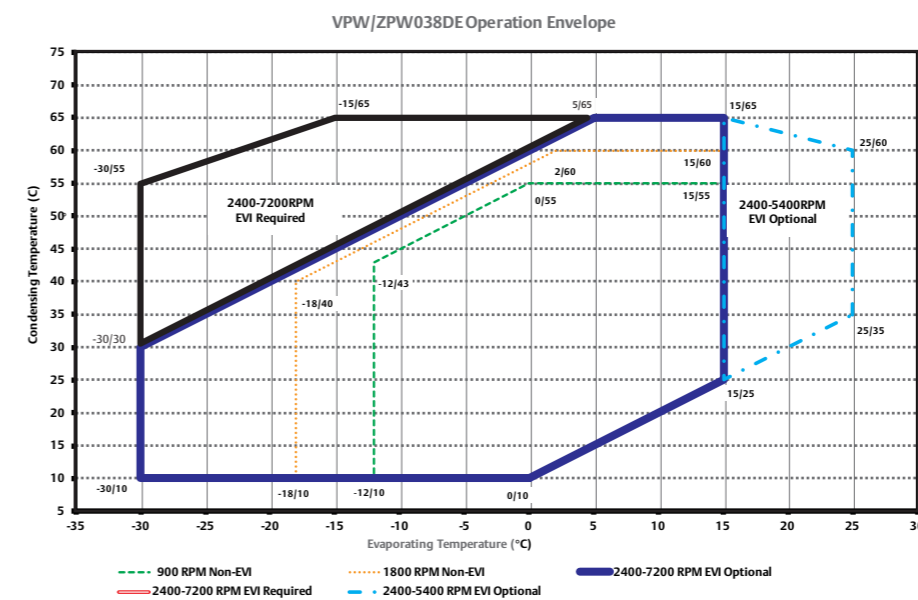
* EVI is available for all variable speed models

Technical Data

Compressor Model	ZPV030	ZPV038	ZPV050
HP	4	5	6-8
Displacement (cc/rev)	30	38	50
Speed Range (RPM)	900-7200	900-7200	900-7200
Rated Capacity (kW)@ARI 60Hz	9.7	12.6	16.6
Power Input (kW)	2.98	3.80	5.03
COP (W/W)	3.25	3.30	3.30
Sound (dBA)@ARI 60Hz	70	71	72
Voltage	220-240 V/380-420 V		

* ZPV050SE (6-8 HP) model is under development

Operating Envelope



Dimensional Drawing

Compressor Model	ZPV030	ZPV038	ZPV050
A (mm)	421	421	421
B (mm)	397	397	397
C (mm)	282	282	282
Shell Diameter D (mm)	141	139	139
Suction Port Size E (inch)	3/4"	3/4"	3/4"
Discharge Port Size F (inch)	1/2"	1/2"	1/2"
Base Size (mm)	194 x 198		

