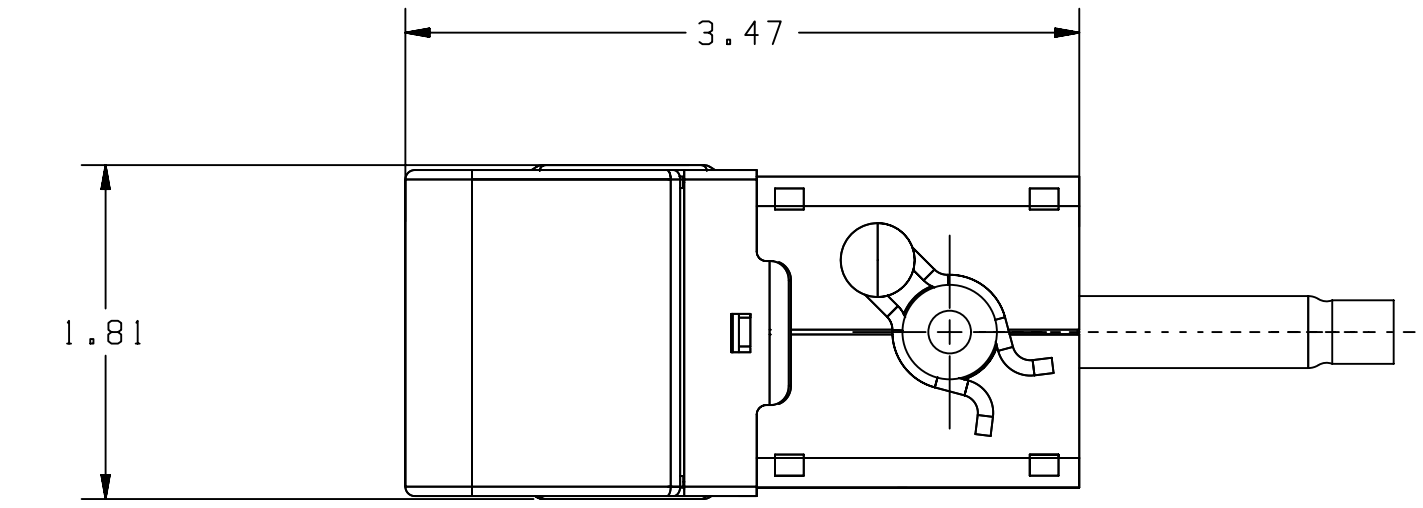
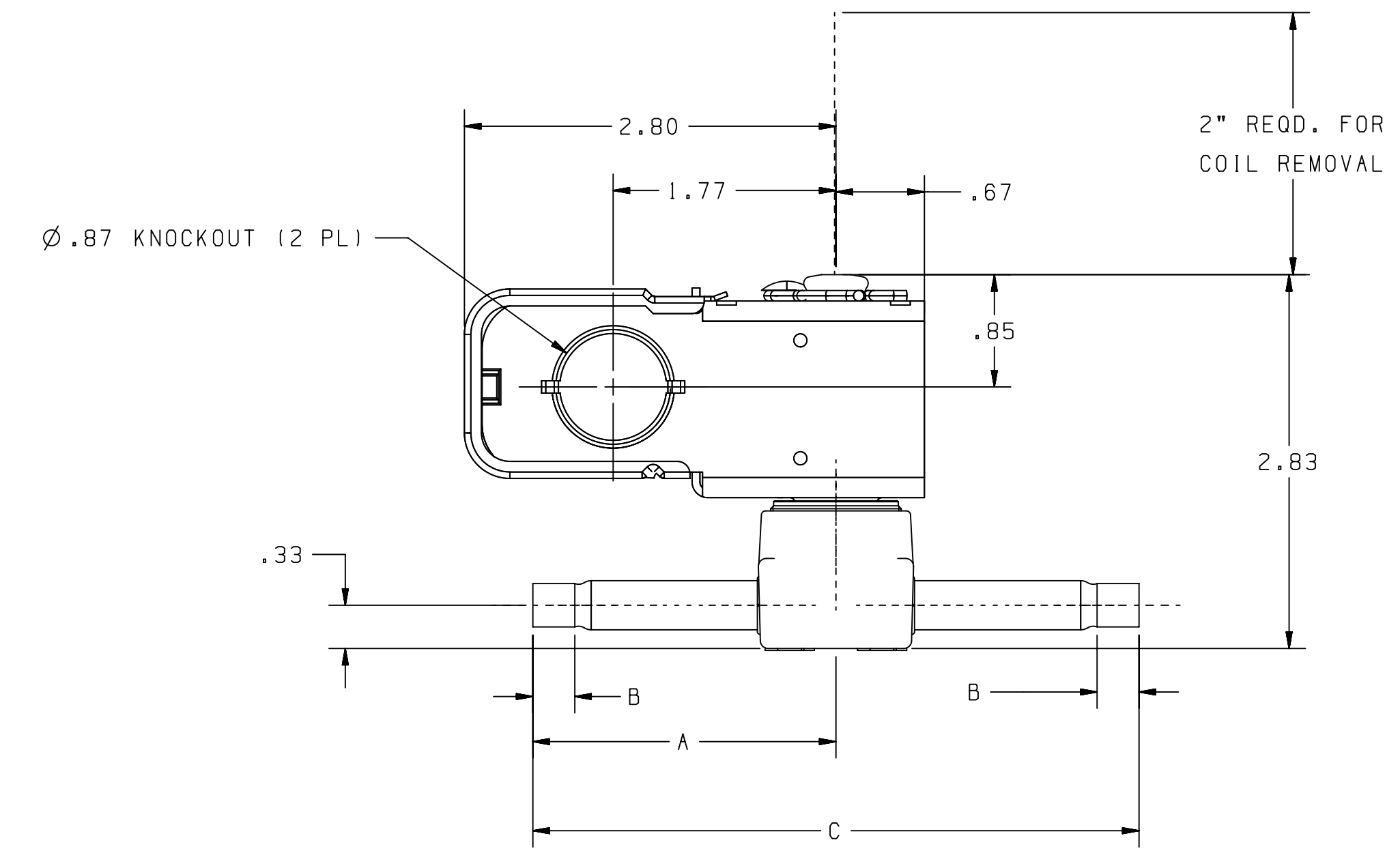


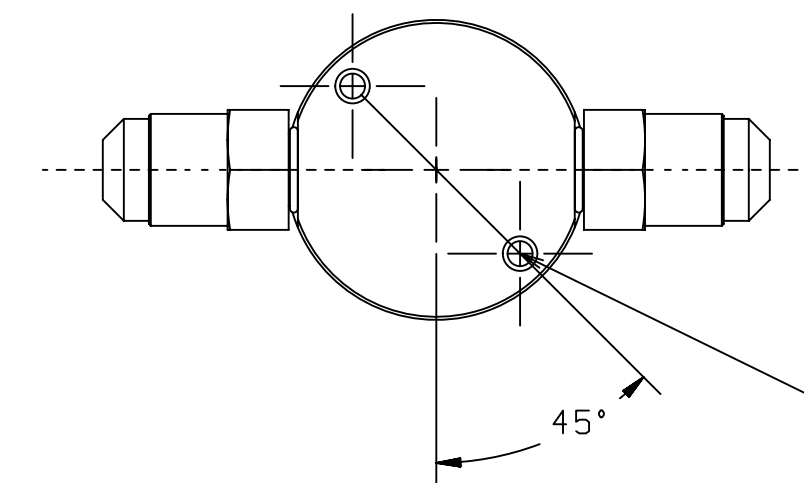
VALVE TYPE	PORT SIZE	LINE CONNECTION	BODY Ø	A	B	C
100RB2S2	.101	1/4 ODF	1.19	2.31	.32	+.06 -.00
100RB2S3		3/8 ODF				
100RB2S4		1/2 ODF				
100RB2F2		1/4 SAE	1.56	1.44	---	3.10
100RB2F3		3/8 SAE				
100RB2P2		1/4 NPTF				



NOMINAL VOLT. & FREQUENCY	APPLIED VOLT. & FREQUENCY	AMPERES		WATTS	VA		COIL INSUALTION
		INRUSH	HOLDING		INRUSH	HOLDING	
24/50-60	24/50	1.20	.96	17.0	28.8	23	CLASS F
	24/60	1.00	.74	12.0	24.0	18	
120/50-60	120/50	.25	.21	17.0	30.0	25	
	120/60	.19	.16	12.0	22.8	19	
208-220/208-240	208/50	.14	.08	17.0	24.9	17	
	208/60	.12	.06	12.0	29.1	12	
50/60	220/50	.16	.10	17.0	38.4	24	
	240/60	.13	.08	12.0	31.2	19	
480/50-60	480/50	.06	.05	17.0	28.8	24	
	480/60	.05	.04	12.0	24.0	19	
6 DC	6 DC	---	2.60	---	---	15.6	
12 DC	12 DC	---	1.31	---	---	15.7	
24 DC	24 DC	---	.67	---	---	15.9	

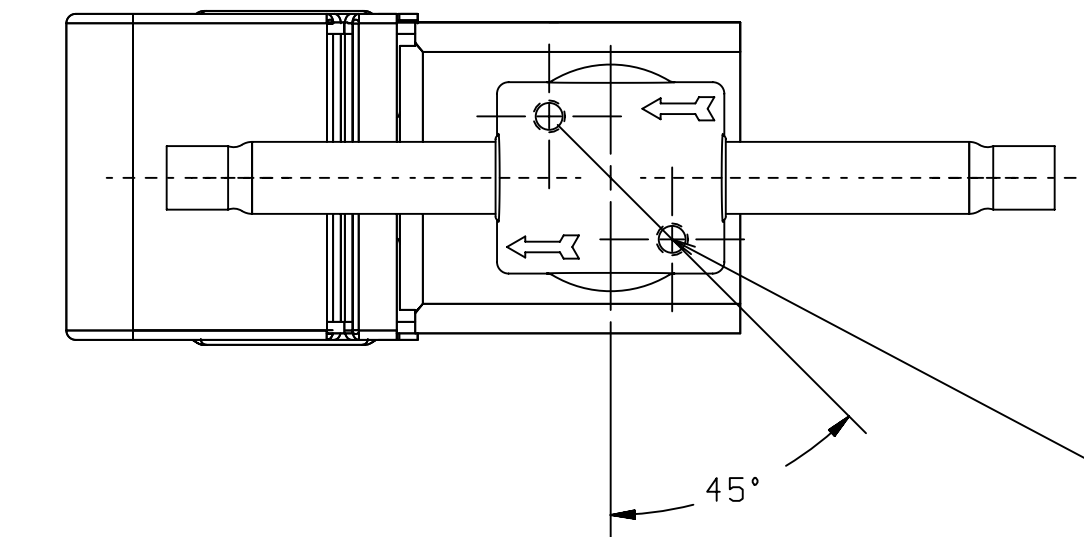


100RB2S2 SHOWN



8-32 UNC-2B THD.
.25 DEEP PERF THD.
2 HOLES ON Ø 1.23
BOLT CIRCLE

100RB2F3 SHOWN
(100RB2F3, 100RB2F2 & 100RB2P2)



8-32 UNC-2B THD.
.25 DEEP PERF THD.
2 HOLES ON Ø .906
BOLT CIRCLE
(OPTIONAL)

07 AGENCY APPROVALS:
U.L. FILE NO. MP604
U.L. GUIDE NO. Y10Z
C.S.A. FILE NO. LR44912
C.S.A. CLASS 3221

06 MAX FLUID TEMP. 285°F.

05 M.W.P. 500 PSIG.

04 M.O.P.D. 300 PSI.

03 COIL LEAD WIRE: 1/32 THICK INSULATION RATED FOR 600V & 125°C.

02 COIL LEAD LENGTH: 6 IN.

01 COILS ARE ONRMALLY SUPPLIED WITH A JUNCTION BOX. (AMG TYPE)

NOTES:

MATERIAL:		White-Rodgers EMERSON.
FINISH	DESCRIPTION	
00	NONE	

THIRD ANGLE PROJECTION

CONFIDENTIALITY NOTICE
THIS DRAWING AND INFORMATION CONTAINED HEREIN ARE THE EXCLUSIVE PROPERTY OF EMERSON AND SHALL NOT BE REPRODUCED IN WHOLE OR IN PART, DISCLOSED TO ANYONE ELSE OR USED, WITHOUT THE WRITTEN CONSENT OF EMERSON.

SUPPLIER NOTICE
CHANGES TO MATERIAL, DESIGN, CONFIGURATION OR PROCESS MAY NOT BE MADE WITHOUT NOTIFICATION TO WHITE-RODGERS. ALL MATERIALS AND PROCESSES MUST BE COMPLIANT WITH ENVIRONMENTAL LAWS AND REGULATIONS AS REFERENCED IN DPRO 002-0106

SUPERSEDES DWG. NO./REV. NO. F25365/001	C OF C REVIEW:	DATE:	SHEET 1 OF 2
TITLE: 100RB VALVE SERIES	DRAWING NO. F25365	REV. 002	