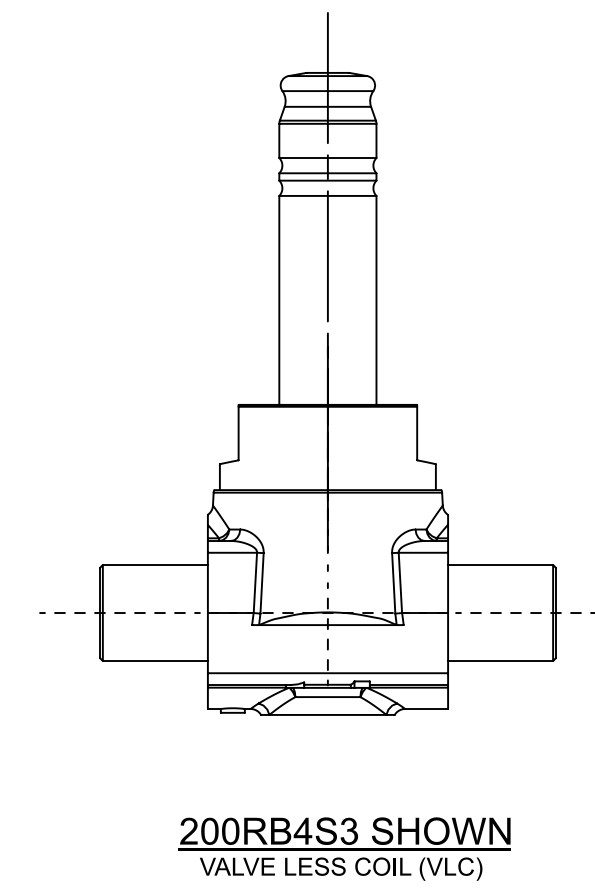
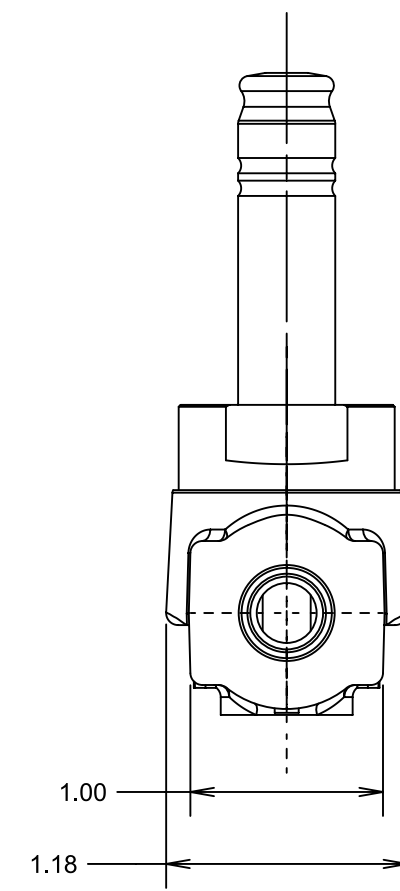
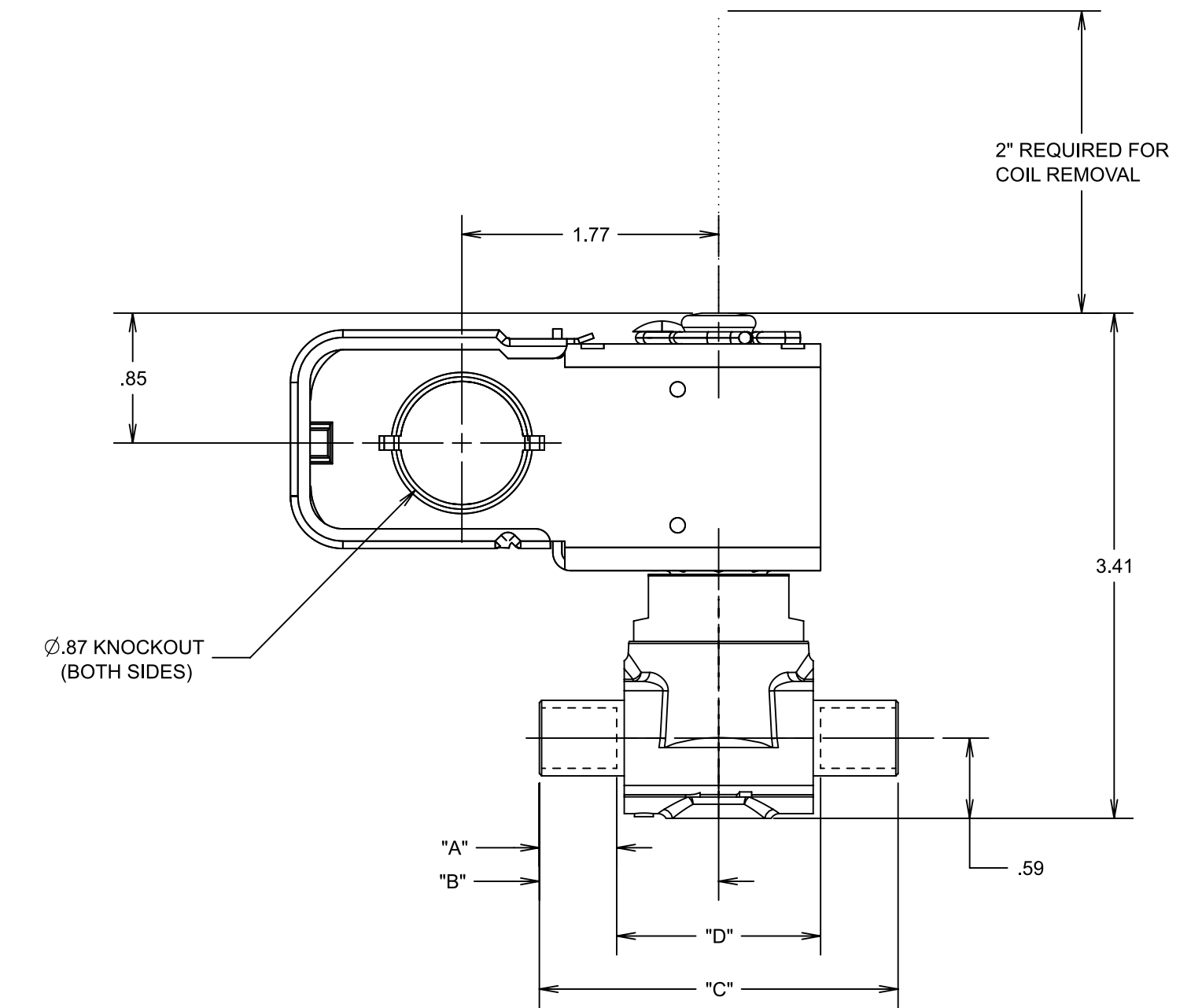
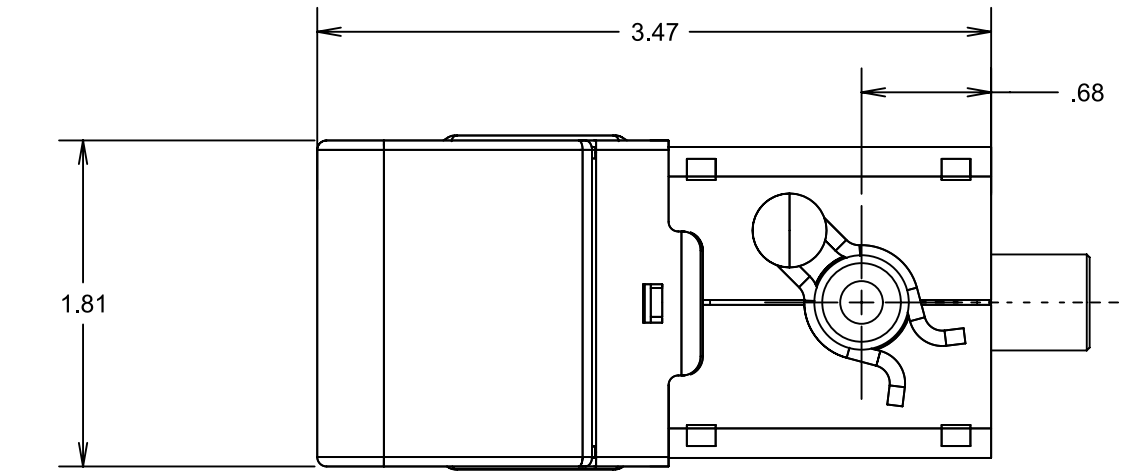


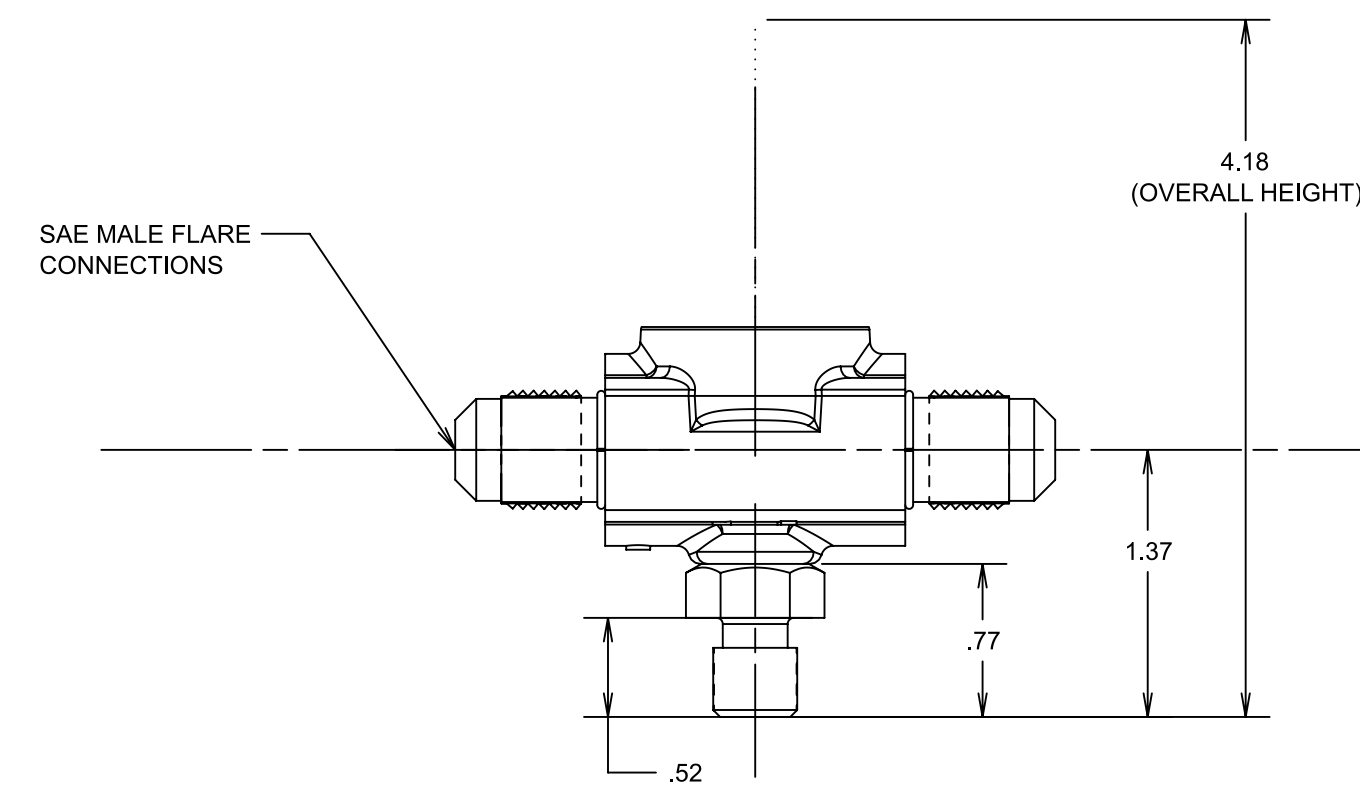
TABLE 1					
VALVE TYPE	PORT SIZE	CONNECTION SIZE	"A"	"B"	"C" "D"
200RB4P2	.25	1/4 NPTF	---	---	---
200RB4P2M					
200RB4P2T					
200RB4P3					
200RB4P3M	.31	3/8 NPTF	1.18	2.37	---
200RB4P3T					
200RB5P3					
200RB5P3M					
200RB5P3T	.37	3/8 ODF	.50	---	1.37
200RB6P3					
200RB6P3M					
200RB6P3T					
200RB4S3	.25	3/8 SAE MALE FLARE	---	1.56	3.12
200RB4S3M					
200RB4S3T					
200RB4F3					
200RB4F3M	.31	1/2 ODF	.56	1.18	2.37 1.25
200RB4F3T					
200RB4S4					
200RB4S4M					
200RB4S4T	.37	1/2 SAE MALE FLARE	---	1.75	3.50
200RB5S4					
200RB5S4M					
200RB5S4T					
200RB6S4	.31	5/8 ODF	.56	1.18	2.37 .125
200RB6S4M					
200RB6S4T					
200RB5F4					
200RB5F4M	.37	5/8 SAE MALE FLARE	---	1.87	3.75
200RB6F4					
200RB6F4M					
200RB5S5					
200RB5S5M	.154	1/4 SAE	---	1.39	2.76
200RB5S5T					
200RB6S5					
200RB6S5M					
200RB6S5T	.18	3/8 SAE	---	1.56	3.12
200RB6F5					
200RB6F5M					
200RB6F5T					
200RB2F2	.250	1/2 SAE	---	1.75	3.50
200RB3F2					
200RB3F3	.18	1/4 SAE	---	1.39	2.76
200RB4F4T					
200RB3F4T	.18	1/2 SAE	---	1.75	3.50
200RB3F4T					

TABLE 2 - COIL DATA (AM COILS ONLY)							
NOMINAL VOLTAGE & FREQUENCY	APPLIED VOLTAGE & FREQUENCY	AMPERES		WATTS	VA INRUSH	VA HOLDING	COIL INSULATION
		INRUSH	HOLDING				
24/50-60	24/50	2.0	.96	12.0	48	23	CLASS F
	24/60	1.6	.74	8.3	38	18	
120/50-60	120/50	.45	.21	12.6	53	25	
	120/60	.36	.16	9.0	43	19	
208-220/208-240 50/60	208/50	.19	.08	8.0	40	17	
	208/60	.15	.06	7.0	32	12	
	240/50	.24	.10	12.0	57	24	
480/50-60	240/60	.19	.08	9.0	46	19	
	480/50	.11	.05	12.0	53	24	
	480/60	.09	.04	9.0	43	19	

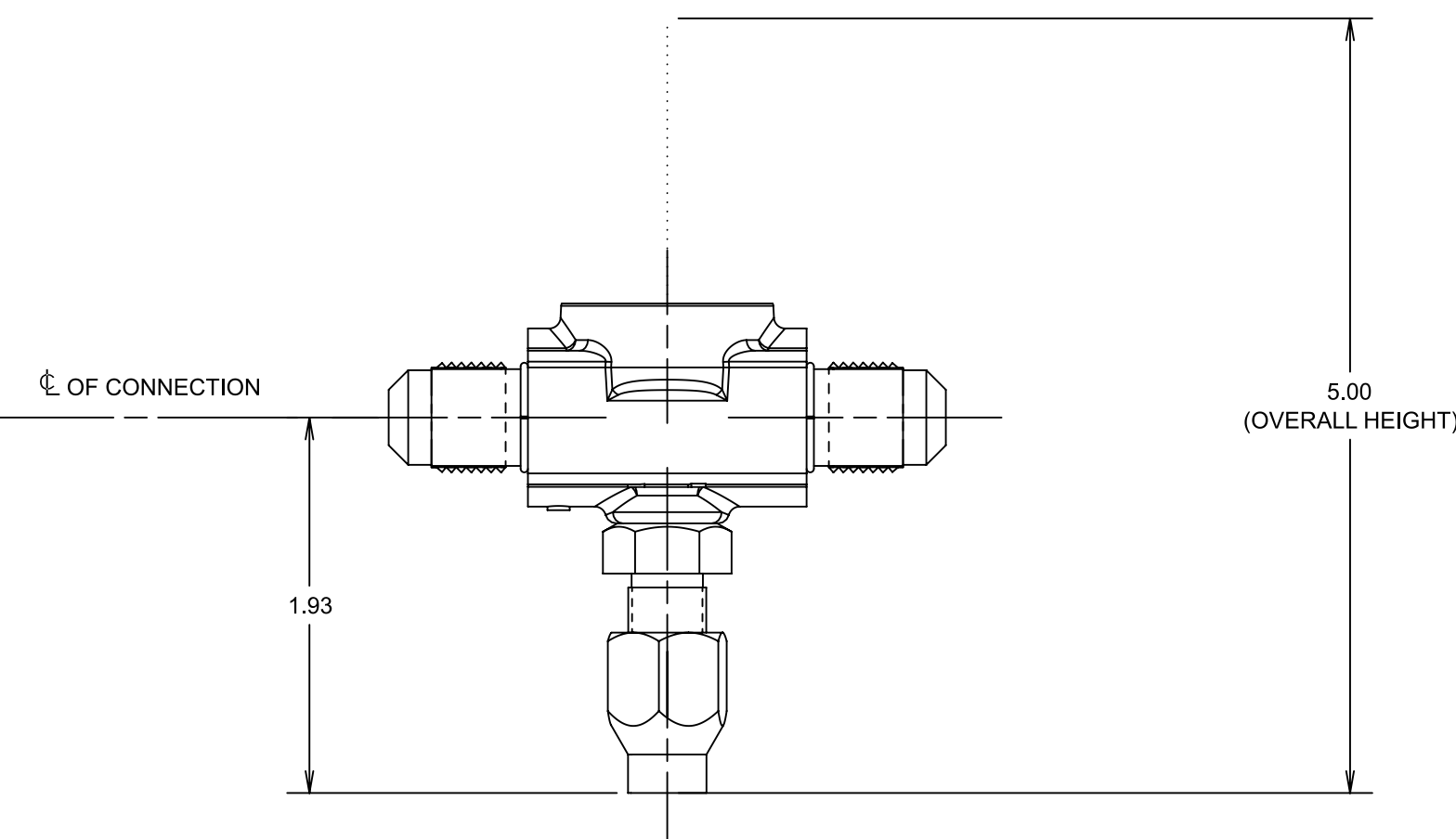


200RB4S3 SHOWN
VALVE LESS COIL (VLC)

200RB4S3 SHOWN
WITH CLIP STYLE COIL



MOUNTING STUD OPTION



MANUAL STEM OPTION

- 07 AGENCY APPROVALS:
U.L./cUL FILE NO. MP604; U.L. GUIDE NO. Y10Z
 - 06 MAX. FLUID TEMP: 250°F
 - 05 M.W.P.: 680 PSIG
 - 04 M.O.P.D.: 300 PSI
 - 03 COIL LEAD WIRE: 1/32 THK INSULATION RATED FOR 600V & 125°C.
 - 02 COIL LEAD LENGTH: 6"
 - 01 COILS ARE NORMALLY SUPPLIED WITH A JUNCTION BOX (AMG TYPE).
- NOTES:

MATERIAL:		White-Rodgers EMERSON.
FINISH	DESCRIPTION	
00	NONE	



CONFIDENTIALITY NOTICE
THIS DRAWING AND INFORMATION CONTAINED HEREIN ARE THE EXCLUSIVE PROPERTY OF EMERSON AND SHALL NOT BE REPRODUCED IN WHOLE OR IN PART, DISCLOSED TO ANYONE ELSE OR USED, WITHOUT THE WRITTEN CONSENT OF EMERSON.

SUPPLIER NOTICE
CHANGES TO MATERIAL, DESIGN, CONFIGURATION OR PROCESS MAY NOT BE MADE WITHOUT NOTIFICATION TO WHITE-RODGERS. ALL MATERIALS AND PROCESSES MUST BE COMPLIANT WITH ENVIRONMENTAL LAWS AND REGULATIONS AS REFERENCED IN DPRO 002-0106

SUPERSEDES DWG. NO./REV. NO. F25370/J	C OF C REVIEW:	DATE:	SHEET 1 OF 2
TITLE: 200RB VALVE SERIES	DRAWING NO. F25370	REV. 001	