

A

B

C

D

E

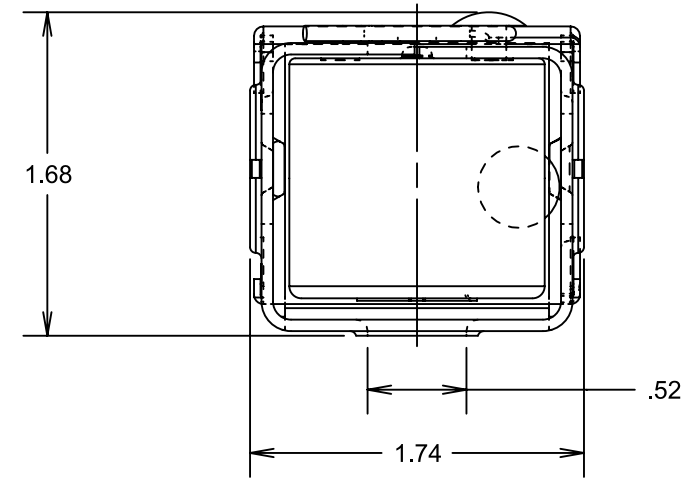
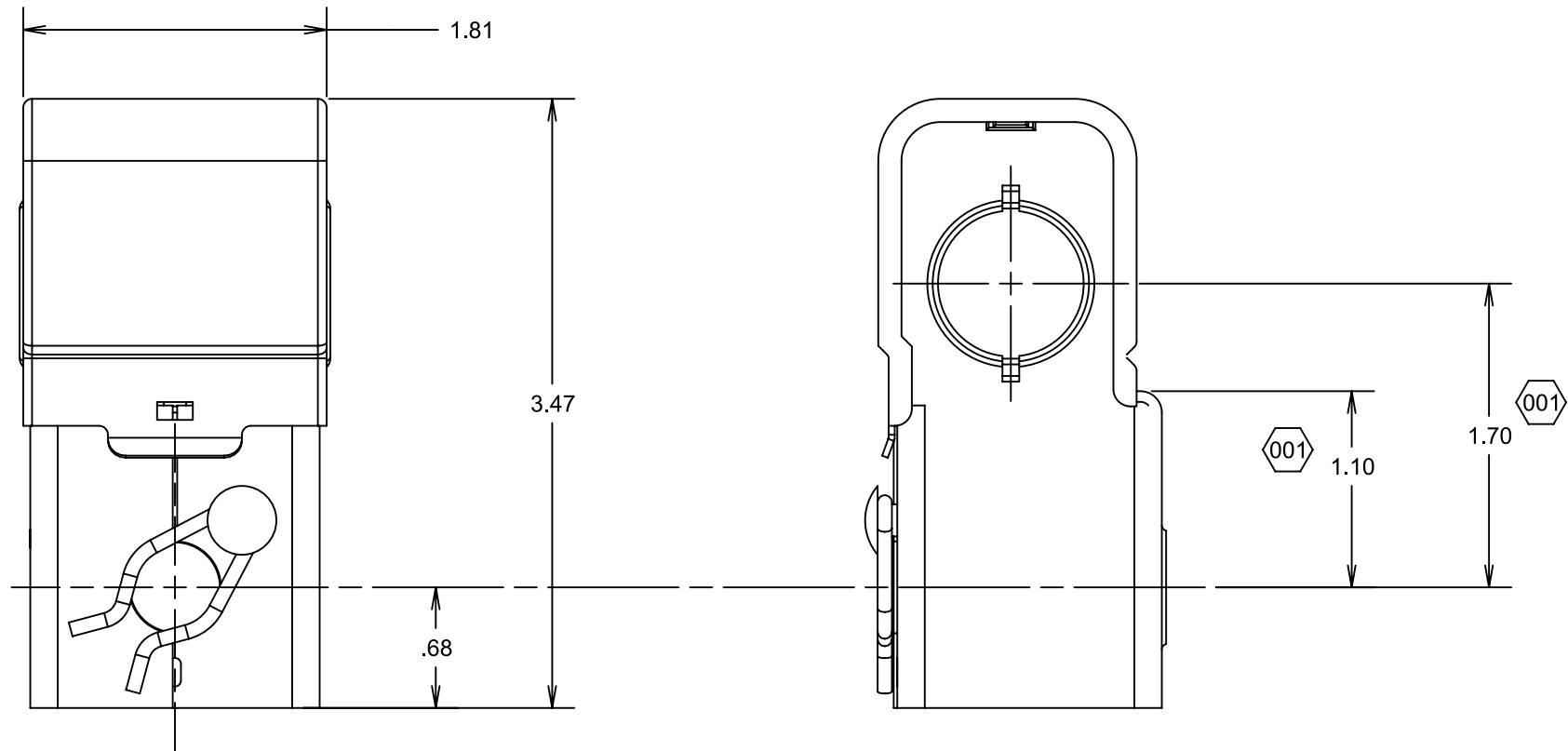
F

G

1

2

3



03 INSULATION: 2/64" THICK, RATED 600V-125°C, CLASS F.

02 #18 GAGE LEAD WIRE.

01 STANDARD LEAD LENGTHS 6".

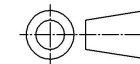
NOTES:

MATERIAL:	
FINISH	DESCRIPTION
00	NONE

White-Rodgers™



THIRD ANGLE PROJECTION



**CONFIDENTIALITY NOTICE**

THIS DRAWING AND INFORMATION CONTAINED HEREIN ARE THE EXCLUSIVE PROPERTY OF EMERSON AND SHALL BE RETURNED UPON DEMAND AND SHALL NOT BE REPRODUCED IN WHOLE OR IN PART, DISCLOSED TO ANYONE ELSE OR USED, WITHOUT THE WRITTEN CONSENT OF EMERSON.

**SUPPLIER NOTICE**

CHANGES TO MATERIAL, DESIGN, CONFIGURATION OR PROCESS MAY NOT BE MADE WITHOUT NOTIFICATION TO WHITE-RODGERS. ALL MATERIALS AND PROCESSES MUST BE COMPLIANT WITH ENVIRONMENTAL LAWS AND REGULATIONS AS REFERENCED IN DPRO 002-0106

SUPERSEDES DWG. NO./REV. NO.

F27778/B

C OF C REVIEW:

DATE:

SHEET

1 OF 2

TITLE:

HOUSING ASSY JUNCTION BOX AMG

DRAWING NO.

F27778

REV.

001