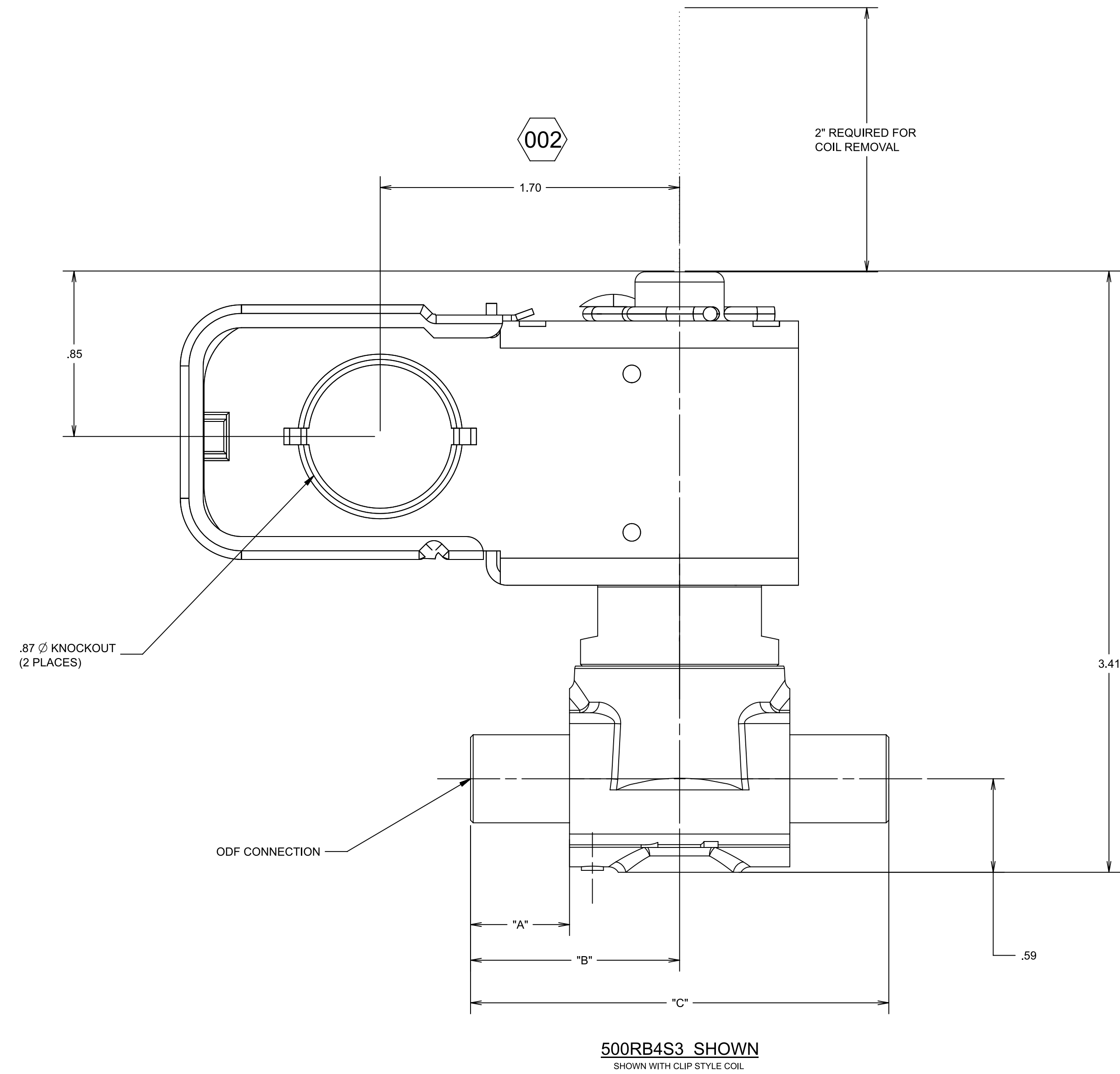
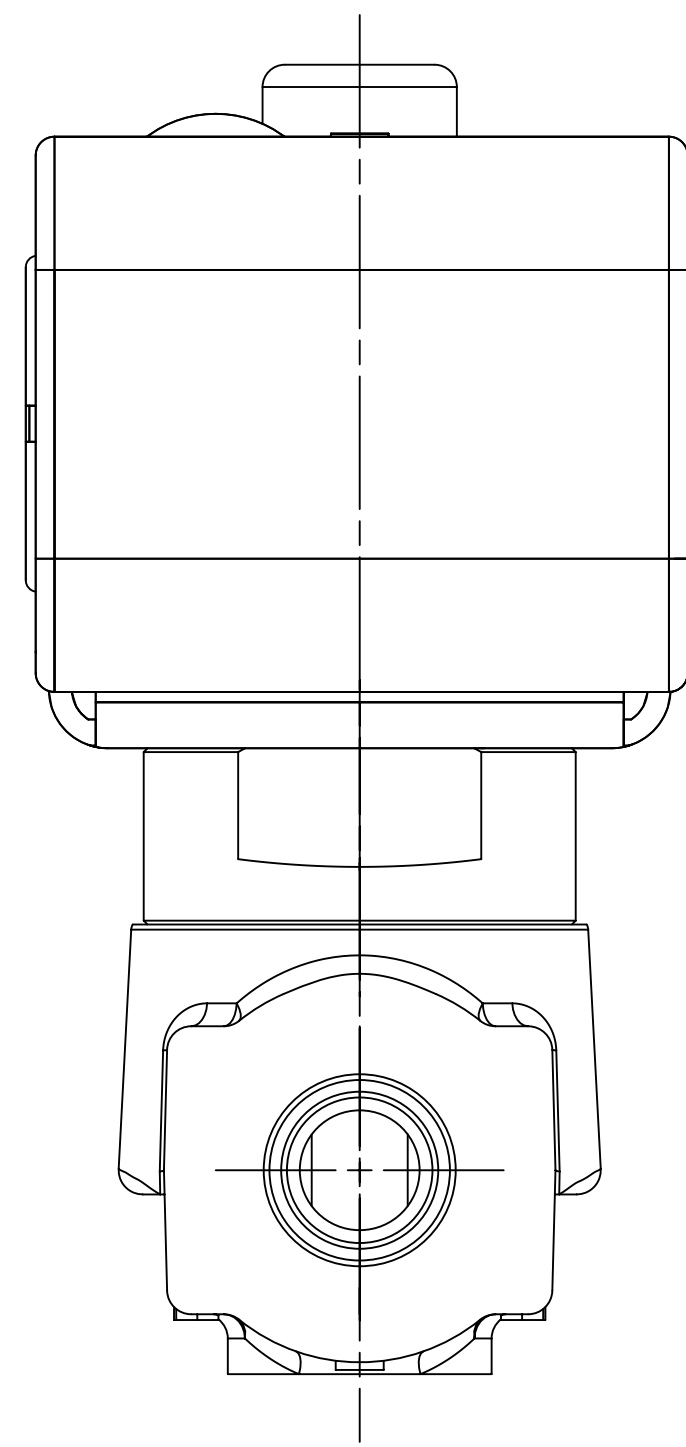
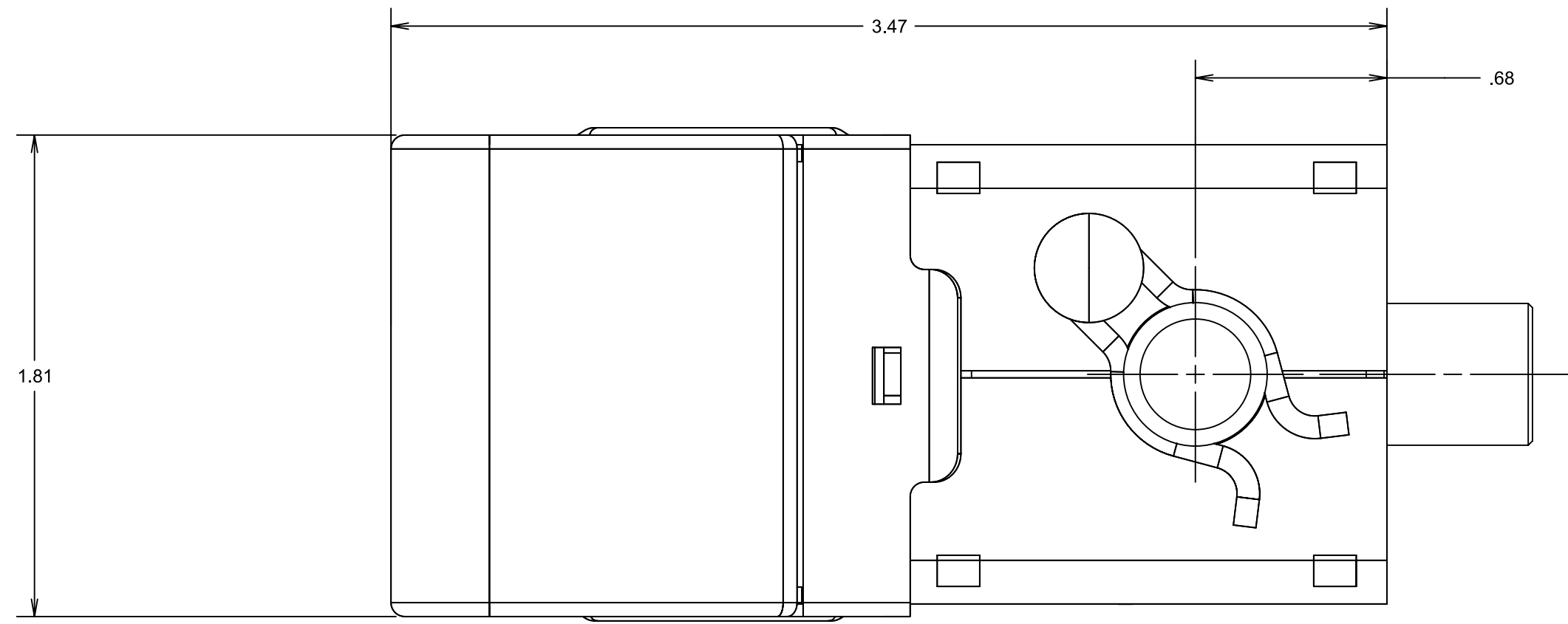


TABLE 1					
VALVE TYPE	CONNECTION SIZE	PORT SIZE	"A"	"B"	"C"
500RB4P2	1/4 NPTF	.250	----	1.18	2.37
500RB4P3	3/8 NPTF		.50	1.18	2.37
500RB4S3	3/8 ODF X 1/2 ODM		.56	1.56	3.12
500RB4S4	1/2 ODF X 5/8 ODM		----	1.18	2.37
500RB4F3	3/8 SAE	.312	.56	1.75	3.5
500RB5P3	3/8 NPTF		----	1.87	3.75
500RB5S4	1/2 ODF X 5/8 ODM		.56	1.18	2.37
500RB5S5	5/8 ODF		----	1.75	3.5
500RB5F4	1/2 SAE	.375	.56	1.18	2.37
500RB5F5	5/8 SAE		----	1.75	3.5
500RB6P3	3/8 NPTF		.56	1.18	2.37
500RB6S4	1/2 ODF X 5/8 ODM		----	1.75	3.5
500RB6S5	5/8 ODF	.187	.37	2.20	4.62
500RB6F4	1/2 SAE		.250	.31	2.31
500RB6F5	5/8 SAE		.312	.37	2.50
500RB3T3	3/8 ODF		.250	.37	2.20
500RB4T3	1/2 ODF	.250	.312	.37	2.50
500RB5T3			.312	.37	2.50
500RB6T4			.375	.37	2.50
500RB6T5			.375	.37	2.50
500RB4T5	5/8 ODF	.312	.50	3.25	6.50
500RB5T5			.375	.37	2.20
500RB6T5			.375	.37	2.20
500RB3T2			1/4 ODF	.187	1.39
500RB3T4	1/2 ODF	.154	----	1.56	3.12
500RB3F2	1/4 SAE		----	1.75	3.50
500RB3F3	3/8 SAE		.37	2.20	4.62
500RB3F4	1/2 SAE		----	1.39	2.76
500RB2T2	1/4 ODF	.250	.56	2.20	4.62
500RB2T3	3/8 ODF		----	1.56	3.12
500RB2F2	1/4 SAE		.154	1.56	3.12
500RB4T2	1/4 ODF		----	1.56	3.12
500RB2F3	3/8 SAE	.154	1.56	3.12	



- 07 AGENCY APPROVALS:
 U.L. FILE NO. MP604; U.L. GUIDE NO. Y10Z.
 C.S.A. FILE NO. LR44912; C.S.A. CLASS 32221
- 06 MAX. FLUID TEMP.: 250°F.
- 05 M.W.P.: 500 PSIG.
- 04 M.O.P.D.: 275 PSI.
- 03 COIL LEAD WIRE: 1/32 THK INSULATION RATED FOR 600V & 125°C.
- 02 COIL LEAD LENGTH: 6".
- 01 COILS ARE NORMALLY SUPPLIED WITH A JUNCTION BOX (DM TYPE).
- NOTES:

500RB4S3 SHOWN
 SHOWN WITH CLIP STYLE COIL

MATERIAL:	
FINISH	DESCRIPTION



CONFIDENTIALITY NOTICE
 THIS DRAWING AND INFORMATION CONTAINED HEREIN ARE THE EXCLUSIVE PROPERTY OF EMERSON AND SHALL NOT BE REPRODUCED IN WHOLE OR IN PART, DISCLOSED TO ANYONE ELSE OR USED, WITHOUT THE WRITTEN CONSENT OF EMERSON.

SUPPLIER NOTICE
 CHANGES TO MATERIAL, DESIGN, CONFIGURATION OR PROCESS MAY NOT BE MADE WITHOUT NOTIFICATION TO WHITE-RODGERS. ALL MATERIALS AND PROCESSES MUST BE COMPLIANT WITH ENVIRONMENTAL LAWS AND REGULATIONS AS REFERENCED IN DPRO 002-0106

SUPERSEDES DWG. NO./REV. NO. F29128/001	C OF C REVIEW: DATE:	SHEET 1 OF 2
TITLE: 500RB VALVE SERIES	DRAWING NO. F29128	REV. 002