



50Hz Water cooled semi-hermetic condensing units

Product catalogue

COPELAND™


EMERSON™

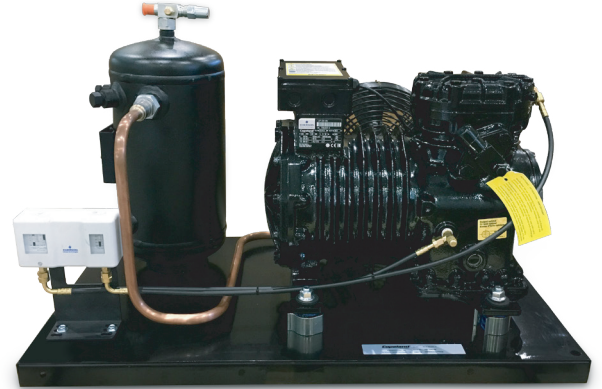


General information

The WH range of water cooled condensing units are suitable for medium and low temperature refrigeration applications:

Medium Temperature WDH R134a, WMH R404a
 Low Temperature WDH R404a

The high side heat exchangers are specifically designed for chilled water loops.



Features

Copeland semi-hermetic compressor

- Suction and discharge valves
- Oil sight Glass
- Mounting springs
- Motor protection by INT69 thermistor module
- Discharge vibration eliminator
- Side mounted compressor fan for optimal compressor cooling
- POE Oil
- Internal oil pump for enhanced lubrication
- External oil pump and OPS for LHA model

Compressor cooling fan

- External rotor, axial fan with guard grill (Form V)
- 230V single phase
- Power / Current Input: 72 W / 0.53 A
- Fan pre-wired to compressor terminal box

Tube in Shell Hermetic Condenser

- Shell and connections : carbon steel
- Tube : copper
- Built in receiver
- Refrigerant side connections : rotalock type
- 1/2" NPT provision for safety relief valve
- Compliant to PED 97/23/EC Directive
- Maximum Pressure Limits
 : Refrigerant side 30 bar
 : Water side 10 bar

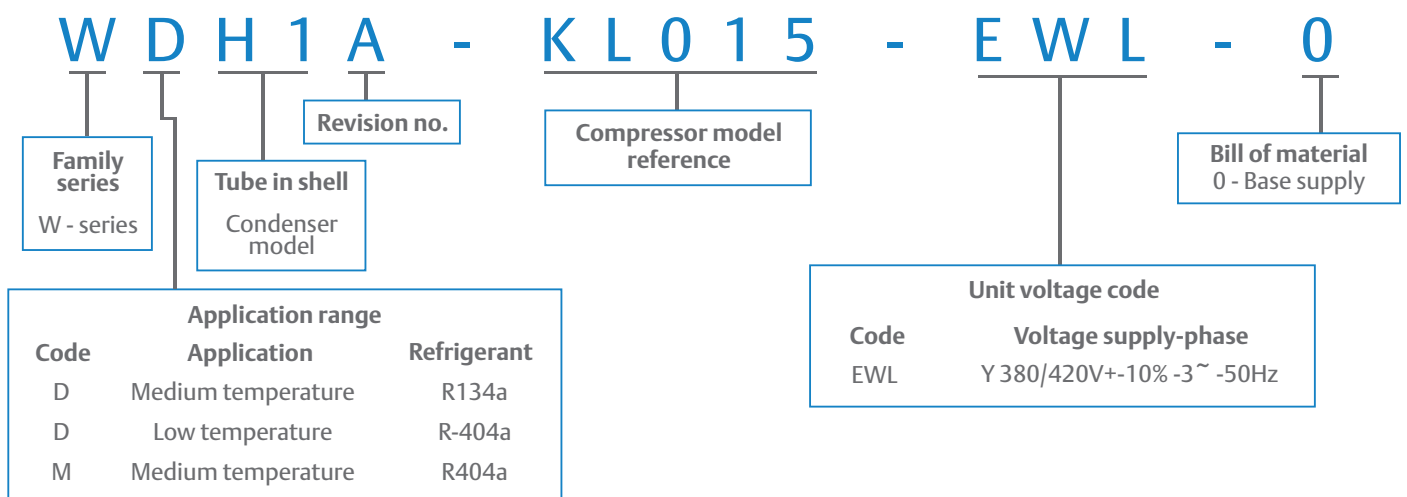
Accessories

- HP/LP dual pressure safety switch, auto reset

Capacity Data

- Units are rated at 30 °C Condensing, 3K Sub Cooling, 20°C Suction Gas Return, 7 °C Water Inlet Temperature

Nomenclature



Performance data

Condensing Unit Model		R404a					R134a				
		Evaporating Temperature (°C)									
		-40	-35	-30	-25	-20	-15	-10	-5	0	5
WDH1A-KJ007-EWL	Capacity (kW)	0.75	1.03	1.36	1.75	2.21	1.49	1.90	2.39	2.95	3.61
	Power Input (kW)	0.64	0.72	0.78	0.85	0.90	0.58	0.61	0.64	0.66	0.66
	Flowrate (l/s)	0.02	0.03	0.04	0.05	0.06	0.04	0.05	0.06	0.07	0.09
	Pressure Drop (kPa)	0.08	0.17	0.26	0.42	0.62	0.22	0.37	0.56	0.86	1.38
WDH1A-SJ010-EWL	Capacity (kW)	1.00	1.34	1.75	2.23	2.79	1.82	2.31	2.89	3.56	4.35
	Power Input (kW)	0.83	0.92	1.01	1.10	1.18	0.70	0.75	0.79	0.81	0.82
	Flowrate (l/s)	0.03	0.04	0.05	0.06	0.08	0.05	0.06	0.07	0.09	0.12
	Pressure Drop (kPa)	0.17	0.26	0.41	0.67	1.15	0.37	0.56	0.86	1.47	2.33
WDH1A-KL015-EWL	Capacity (kW)	1.17	1.56	2.03	2.58	3.22	2.12	2.68	3.35	4.13	5.03
	Power Input (kW)	0.91	1.01	1.11	1.21	1.31	0.86	0.92	0.97	1.00	1.02
	Flowrate (l/s)	0.04	0.05	0.06	0.08	0.10	0.05	0.07	0.09	0.11	0.15
	Pressure Drop (kPa)	0.22	0.37	0.62	1.00	1.64	0.46	0.80	1.30	2.12	3.49
WDH1A-SL020-EWL	Capacity (kW)	1.44	1.93	2.53	3.24	4.07	2.69	3.41	4.26	5.26	6.43
	Power Input (kW)	1.04	1.21	1.38	1.55	1.72	1.05	1.14	1.22	1.28	1.32
	Flowrate (l/s)	0.04	0.06	0.08	0.11	0.14	0.07	0.09	0.12	0.16	0.22
	Pressure Drop (kPa)	0.33	0.56	1.00	1.83	3.12	0.86	1.47	2.43	4.15	7.34
WDH2A-LF020-EWL	Capacity (kW)	1.53	2.24	3.07	4.06	5.22	3.59	4.61	5.82	7.23	8.87
	Power Input (kW)	1.14	1.38	1.62	1.86	2.11	1.29	1.41	1.50	1.57	1.60
	Flowrate (l/s)	0.04	0.06	0.08	0.11	0.15	0.08	0.11	0.14	0.19	0.26
	Pressure Drop (kPa)	0.32	0.70	1.33	2.50	4.47	1.42	2.38	4.15	7.34	12.87
WDH2A-LJ020-EWL	Capacity (kW)	1.82	2.69	3.71	4.92	6.34	4.09	5.20	6.51	8.05	9.83
	Power Input (kW)	1.33	1.62	1.91	2.19	2.46	1.63	1.74	1.84	1.91	1.95
	Flowrate (l/s)	0.05	0.07	0.10	0.14	0.21	0.10	0.13	0.17	0.23	0.32
	Pressure Drop (kPa)	0.46	0.99	2.15	4.15	8.17	1.92	3.27	5.82	10.16	18.56
WDH3A-LL030-EWL	Capacity (kW)	2.52	3.61	4.90	6.43	8.20	5.17	6.63	8.37	10.40	12.75
	Power Input (kW)	1.70	2.05	2.39	2.74	3.07	1.96	2.13	2.27	2.39	2.48
	Flowrate (l/s)	0.06	0.08	0.12	0.17	0.23	0.11	0.14	0.19	0.26	0.36
	Pressure Drop (kPa)	0.84	1.71	3.45	6.54	12.41	2.85	4.96	8.76	15.64	28.68
WDH4A-SG040-EWL	Capacity (kW)	3.34	4.66	6.24	8.09	10.25	6.67	8.48	10.60	13.10	16.00
	Power Input (kW)	2.19	2.60	3.01	3.41	3.80	2.37	2.60	2.79	2.96	3.09
	Flowrate (l/s)	0.07	0.09	0.13	0.17	0.24	0.12	0.16	0.21	0.27	0.36
	Pressure Drop (kPa)	1.62	2.96	5.53	9.67	17.05	4.66	7.99	13.10	21.83	36.73
WDH4A-HA050-EWL	Capacity (kW)	4.34	5.81	7.57	9.65	12.10	7.87	9.96	12.45	15.35	
	Power Input (kW)	3.16	3.67	4.17	4.65	5.12	2.86	3.10	3.32	3.50	
	Flowrate (l/s)	0.09	0.12	0.16	0.22	0.30	0.14	0.19	0.25	0.34	
	Pressure Drop (kPa)	2.70	4.90	8.80	15.50	27.90	6.90	11.70	19.90	34.60	

Operating Conditions: 20 °C Suction Gas Return Temperature and 3K Sub Cooling



Performance data

Condensing Unit Model		R404a				
		Evaporating Temperature (°C)				
		-15	-10	-5	0	5
WMH1A-KM007-EWL	Capacity (kW)	2.04	2.52	3.07	3.69	4.4
	Power Input (kW)	0.76	0.79	0.81	0.80	0.78
	Flowrate (l/s)	0.06	0.07	0.08	0.11	0.13
	Pressure Drop (kPa)	0.51	0.80	1.15	1.83	2.77
WMH1A-KJ010-EWL	Capacity (kW)	2.79	3.44	4.18	5.03	5.99
	Power Input (kW)	1.04	1.10	1.15	1.17	1.17
	Flowrate (l/s)	0.08	0.10	0.13	0.17	0.21
	Pressure Drop (kPa)	1.07	1.73	2.77	4.44	7.17
WMH1A-SJ015-EWL	Capacity (kW)	3.47	4.26	5.16	6.20	7.37
	Power Input (kW)	1.35	1.42	1.46	1.47	1.42
	Flowrate (l/s)	0.11	0.14	0.18	0.24	0.32
	Pressure Drop (kPa)	1.92	3.12	5.18	8.87	15.43
WMH3A-LE020-EWL	Capacity (kW)	5.16	6.45	7.94	9.66	11.65
	Power Input (kW)	1.72	1.84	1.94	2.02	2.05
	Flowrate (l/s)	0.11	0.15	0.20	0.26	0.35
	Pressure Drop (kPa)	3.14	5.34	9.01	15.35	27.09
WMH4A-LF030-EWL	Capacity (kW)	7.22	8.92	10.85	13.05	15.60
	Power Input (kW)	2.41	2.54	2.63	2.68	2.69
	Flowrate (l/s)	0.14	0.18	0.23	0.30	0.39
	Pressure Drop (kPa)	6.47	10.26	16.30	26.29	42.94
WMH4A-LJ030-EWL	Capacity (kW)	8.05	9.92	12.10	14.55	
	Power Input (kW)	2.83	3.00	3.11	3.16	
	Flowrate (l/s)	0.16	0.20	0.27	0.35	
	Pressure Drop (kPa)	8.30	13.50	22.00	36.40	

Operating Conditions: 20 °C Suction Gas Return Temperature and 3K Sub Cooling

Mechanical data

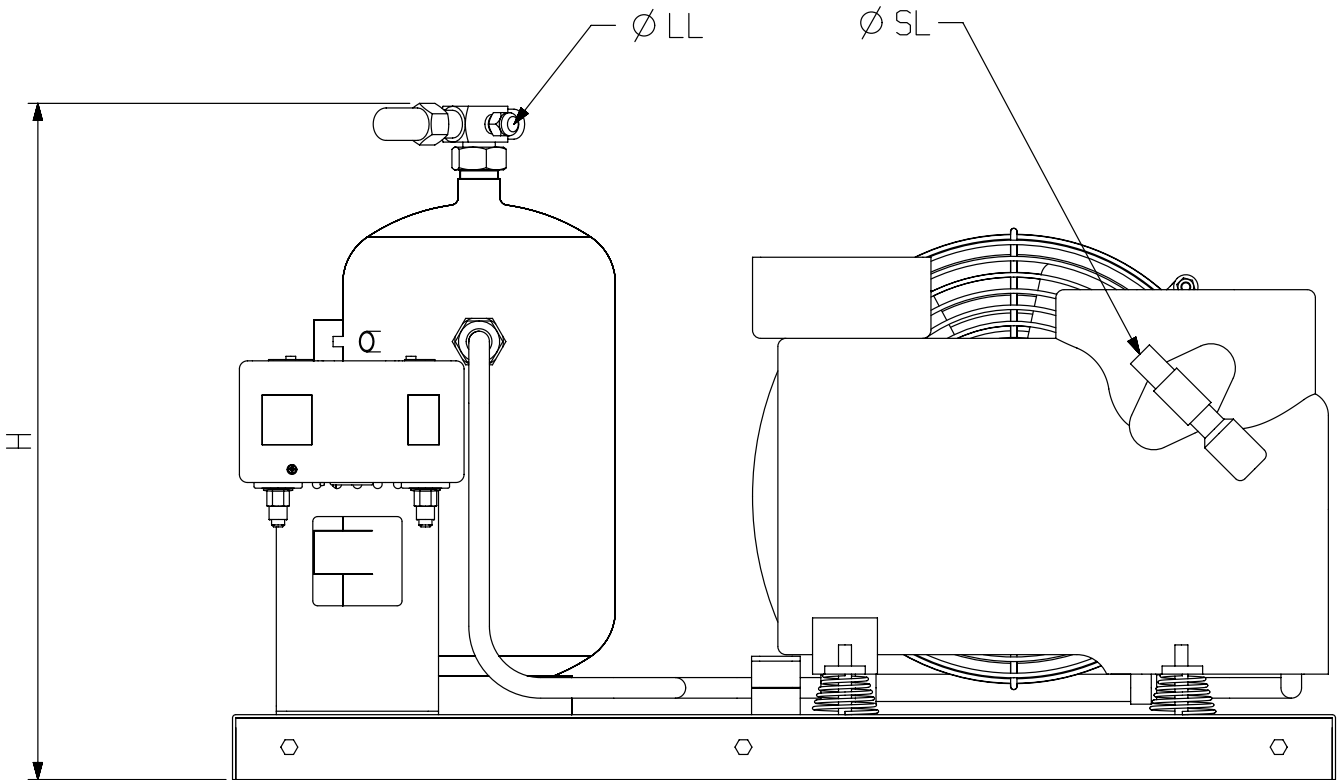
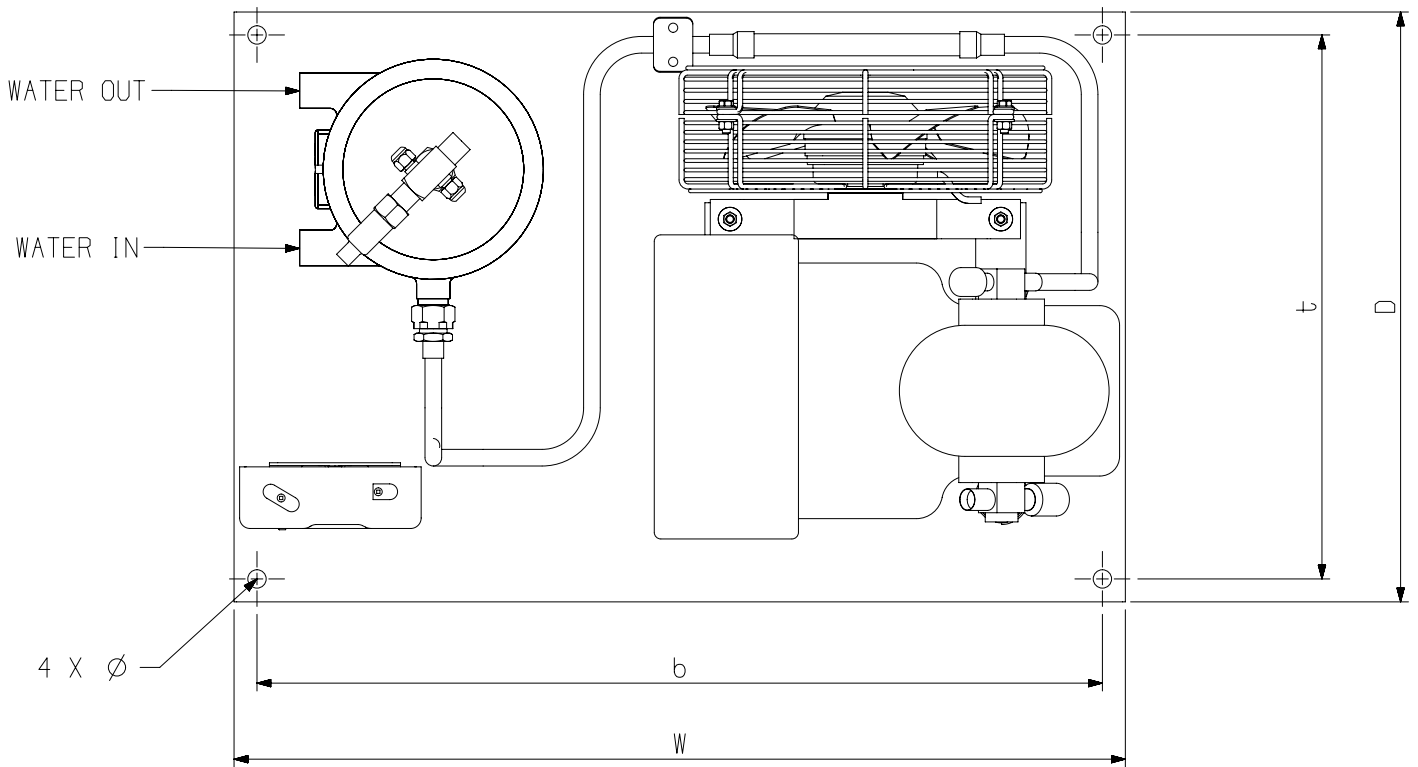
Condensing Unit Model	Compressor Model	Receiver Capacity (l)	Width/Depth [W/D] (mm)	Base Mounting Ø [b x t] (mm)	Height [H] (mm)	Suction Ø [SL] (")	Liquid Ø [LL] (")	Water Inlet (")	Water Outlet (")	Net Weight (kg)	Gross Weight (kg)
WDH1A-KJ007-EWL	KJ-7X-EWL	4.6	680/450	645 x 415 (14)	417	5/8	1/2	G 1/2	G 1/2	61	76
WDH1A-SJ010-EWL	KSJ-10X-EWL	4.6	680/450	645 x 415 (14)	417	5/8	1/2	G 1/2	G 1/2	61	76
WDH1A-KL015-EWL	KL-15X-EWL	4.6	680/450	645 x 415 (14)	417	5/8	1/2	G 1/2	G 1/2	61	76
WDH1A-SL020-EWL	KSL-20X-EWL	4.6	680/450	645 x 415 (14)	417	5/8	1/2	G 1/2	G 1/2	61	76
WDH2A-LF020-EWL	LF-20X-EWL	4.6	820/506	785 x 415 (14)	425	7/8	1/2	G 1/2	G 1/2	105	120
WDH2A-LJ020-EWL	LJ-20X-EWL	4.6	820/506	785 x 415 (14)	425	7/8	1/2	G 1/2	G 1/2	105	120
WDH3A-LL030-EWL	LL-30X-EWL	8.1	820/506	785 x 415 (14)	527	1 1/8	1/2	G 1/2	G 1/2	113	128
WDH4A-SG040-EWL	LSG-40X-EWL	8.1	820/506	785 x 415 (14)	527	1 1/8	1/2	G 1/2	G 1/2	113	128
WDH4A-HA050-EWL	LHA-50X-EWL	8.1	1000/536	965 x 475 (14)	527	1 1/8	5/8	G 1/2	G 1/2	128	143
WMH1A-KM007-EWL	KM-7X-EWL	4.6	680/450	645 x 415 (14)	417	1/2	1/2	G 1/2	G 1/2	61	76
WMH1A-KJ010-EWL	KJ-10X-EWL	4.6	680/450	645 x 415 (14)	417	5/8	1/2	G 1/2	G 1/2	61	76
WMH1A-SJ015-EWL	KSJ-15X-EWL	4.6	680/450	645 x 415 (14)	417	5/8	1/2	G 1/2	G 1/2	61	76
WMH3A-LE020-EWL	LE-20X-EWL	8.1	820/506	785 x 415 (14)	527	7/8	1/2	G 1/2	G 1/2	106	121
WMH4A-LF030-EWL	LF-30X-EWL	8.1	820/506	785 x 415 (14)	527	7/8	1/2	G 1/2	G 1/2	109	124
WMH4A-LJ030-EWL	LJ-30X-EWL	8.1	820/506	785 x 415 (14)	527	7/8	1/2	G 1/2	G 1/2	113	128

Electrical data

Condensing Unit Model	Compressor Model	Compressor Maximum Operating Current (A)	Compressor Locked Rotor Current (A)
WDH1A-KJ007-EWL	KJ-7X-EWL	2.4	12.2
WDH1A-SJ010-EWL	KSJ-10X-EWL	3.0	15.5
WDH1A-KL015-EWL	KL-15X-EWL	3.4	19.1
WDH1A-SL020-EWL	KSL-20X-EWL	4.7	23.3
WDH2A-LF020-EWL	LF-20X-EWL	5.5	37.6
WDH2A-LJ020-EWL	LJ-20X-EWL	5.6	37.6
WDH3A-LL030-EWL	LL-30X-EWL	7.3	53.0
WDH4A-SG040-EWL	LSG-40X-EWL	8.5	68.5
WDH4A-HA050-EWL	LHA-50X-EWL	12.4	85.3
WMH1A-KM007-EWL	KM-7X-EWL	2.4	12.2
WMH1A-KJ010-EWL	KJ-10X-EWL	3.2	15.5
WMH1A-SJ015-EWL	KSJ-15X-EWL	3.4	19.1
WMH3A-LE020-EWL	LE-20X-EWL	5.7	37.6
WMH4A-LF030-EWL	LF-30X-EWL	6.8	50.6
WMH4A-LJ030-EWL	LJ-30X-EWL	7.4	50.6

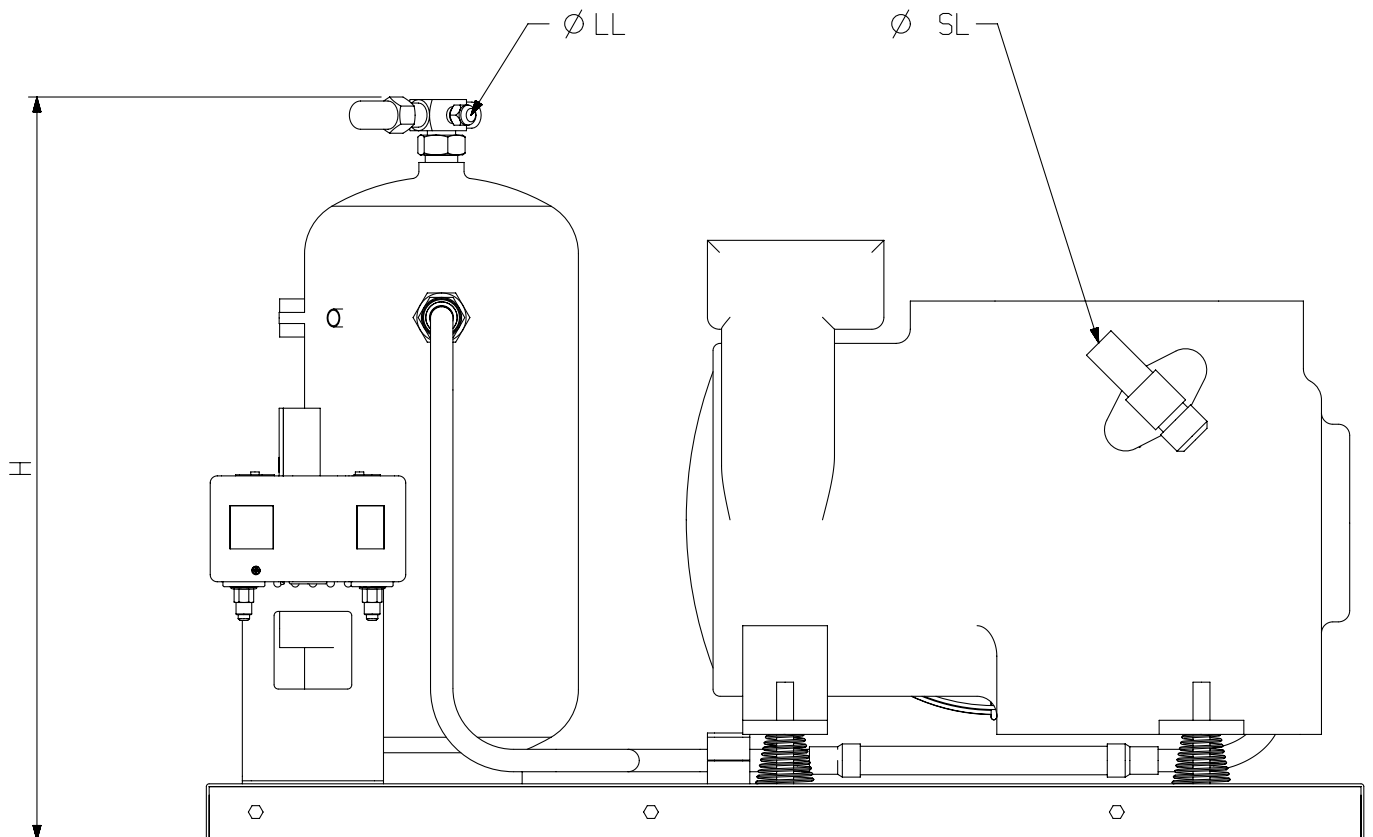
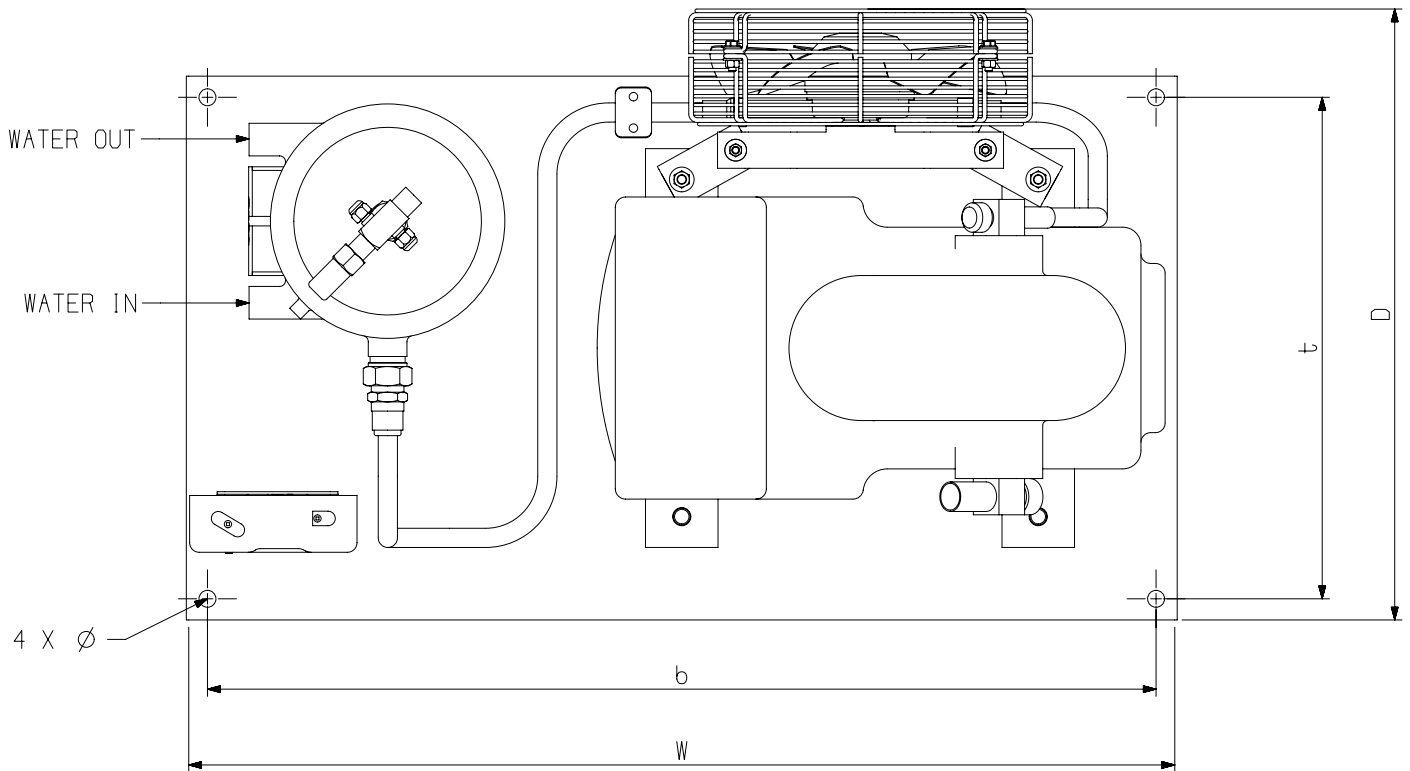
Dimensional drawing

Ref dwg - WDH1, WMH1



Dimensional drawing

Ref dwg - WDH2, WDH3, WDH4, WMH3, WMH4



About Emerson

Emerson (NYSE: EMR), headquartered in St. Louis, Missouri (USA), is a global technology and engineering company providing innovative solutions for customers in industrial, commercial, and residential markets. Emerson Commercial and Residential Solutions business helps ensure human comfort and health, protect food quality and safety, advance energy efficiency, and create sustainable infrastructure. For more information visit www.Emerson.com.

Contact us

United Arab Emirates

Jebel Ali Free Zone
P.O. Box 26382, Dubai
United Arab Emirates
Toll Free: 8000 441 3428
Tel: +971 4 8118100
Fax: +971 4 8865465

Saudi Arabia

P.O. Box 34332 - 3620
2nd Industrial City, 67 St.
Dammam, Saudi Arabia
Toll Free: 8008 443 426
Tel: +966 3 8147560
Fax: +966 3 8147570

South Africa

11 Quark Crescent
Linbro Business Park
Sandton 2065, South Africa
Toll Free: 0800 980 3711
Tel: +27 11 451 3700
Fax: +27 11 451 3800

Egypt

P.O.Box 11799
11 & 12 / 1138 Mustafa
Refaat Street Sheraton,
Heliopolis Cairo, Egypt
Tel: +20 2 226 5854

  EmersonMEA

 EmersonMiddleEastAfrica

EmersonClimateMEA.com

EMERSON. CONSIDER IT SOLVED.™