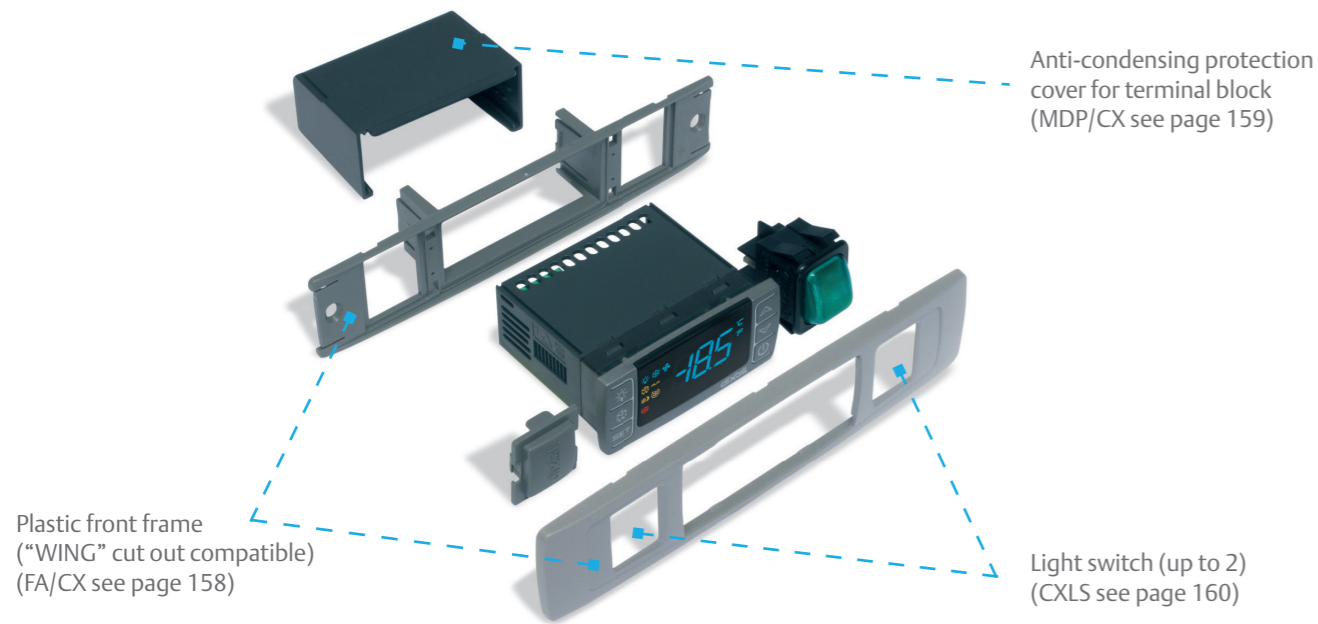


Prime CX Series: NT and LT Applications



- Innovative digital controllers dedicated to heat and NT and LT refrigeration
- Easy and intuitive programming mode
- On/off key
- Energy saving cycles through digital input
- Fast freezing with dedicated set point
- Outputs restart with door open alarm
- Temperature Max and Min functions
- Configurable digital input also as probe
- Virtual probe management
- Cycles for milk cooling and storage systems
- Functions for refrigerated air dryers in automation processes
- Condenser temperature management to prevent critical plant situations
- Hot Key or Prog Tool Kit connector for quick and easy programming
- Serial connection to monitoring systems (direct for XR35/75/77CX or via XJ485CX)
- Connection for X-REP remote display (alternative to TTL output)
- 3VA max power absorption
- Display with red LED (10,5mm high) and icons





How to order

Prime CX X R C X - A B C D E For Blue Display please contact Dixell

A	B	C		D		E
Power supply	Inputs	Buzzer	X-REP output (excludes TTL output)	Measurement unit	RTC	Compressor Output
0 = 12Vac/dc	N = NTC	0 = No	No	C = °C	No	0 = 8A
1 = 24Vac/dc	P = PTC	1 = Yes	No	F = °F	No	1 = 20A
2 = 24Vac		2 = No	Yes	H = °C heating (only for XR10CX)	No	3 = 16A
4 = 110Vac		3 = Yes	Yes	L = °F heating (only for XR10CX)	No	6 = 8A
5 = 230Vac				I* = °C	Yes supercap	7 = 20A
				M* = °F*Only for XR30/70CX	Yes supercap	8 = 16A

XR35/75/77CX X R C X - A B C D E For Blue Display please contact Dixell

A	B	C	D		E
Power supply	Inputs	Buzzer	Measurement unit	RTC	Compressor Output
0 = 12Vac/dc (only for XR77CX)	N = NTC	6 = No	C = °C	No	0 = 8A
1 = 24 Vac/dc (only for XR77CX)	S = Pt1000	7 = Yes	F = °F	No	3 = 16A
4 = 110Vac			I = °C	Yes supercap	
5 = 230Vac			M = °F	Yes supercap	

XR80CX X R 8 0 C X - A B C D E For Blue Display please contact Dixell

A	B	C	D	E
Power supply	Inputs	Buzzer	Measurement unit	Compressor Output
0 = 12Vac/dc	N = NTC	0 = No	C = °C	0 = 8A
4 = 110Vac	P = PTC	1 = Yes	F = °F	3 = 20A
5 = 230Vac				

Prime CX

Thermostat And Controllers With "Off Cycle" Defrost For Static Applications

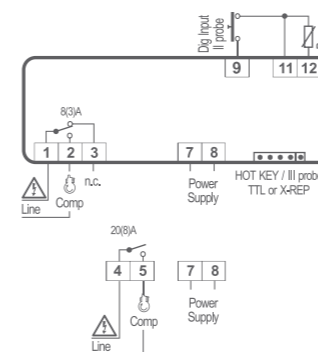


CX: 32x74mm

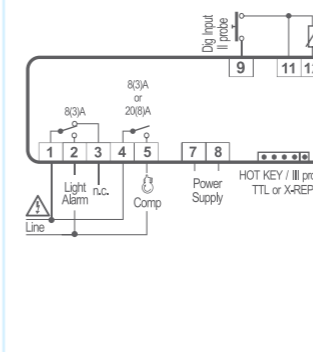
XR10CX	Digital thermostat with heating or cooling action
XR20CX	Digital controller for NT with "off cycle" defrost
XR30CX	Digital controller for NT with "off cycle" defrost and additional configurable relay
XR35CX	Digital controller for NT with "off cycle" defrost, additional configurable relay and RS485
XR40CX	Digital controller for NT and LT with electrical or hot gas defrost

FEATURES	XR10CX	XR20CX	XR30CX	XR35CX	XR40CX
Display: n° digits	± 3 d.p.	± 3 d.p.	± 3 d.p.	± 3 d.p.	± 3 d.p.
Keyboard: push buttons	12, 24Vac/dc	12, 24Vac/dc	12, 24Vac/dc		12, 24Vac/dc
Power supply	24, 110, 230Vac	24, 110, 230Vac	24, 110, 230Vac	110, 230Vac	24, 110, 230Vac
Probe inputs					
Thermostat	NTC, PTC	NTC, PTC	NTC, PTC	NTC, Pt1000	NTC, PTC
Therstat 2				NTC, Pt1000	
Defrost					
Defrost 2					
Condenser	NTC, PTC on HOT KEY	NTC, PTC on HOT KEY	NTC, PTC on HOT KEY	NTC, Pt1000	NTC, PTC on Hot Key
Digital inputs					
Alarm, start defrost, AUX door switch, pressure switch, probe	config	config	config	config	config
Alarm, start defrost, AUX, door switch, pressure switch				config	
Relay outputs					
Compressor	8A, 20A	8A, 20A	8A, 20A	8A, 16A	8A, 20A
Compressor 2					
Thermostat 2					8A
Defrost					
Defrost 2					
Fans					
Light or alarm			8A	8A	
Anti-sweat					
Agitator					
Other Hot Key					
Hot Key/Prog Tool Kit output	pres	pres	pres	pres	pres
Remote display output	X-REP opt	X-REP opt	X-REP opt	X-REP	X-REP opt
Serial output	TTL	TTL	TTL	RS485	TTL
Buzzer	opt	opt	opt	opt	opt
Real time clock			opt	opt	

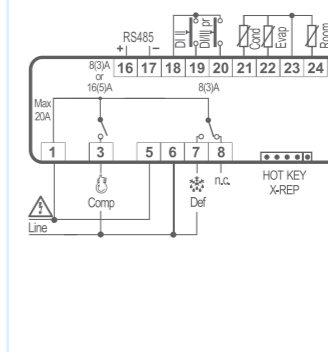
XR10CX - XR20CX



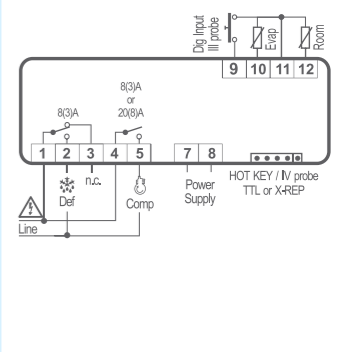
XR30CX



XR35CX



XR40CX



Prime CX

Controllers for Static or Ventilated Applications

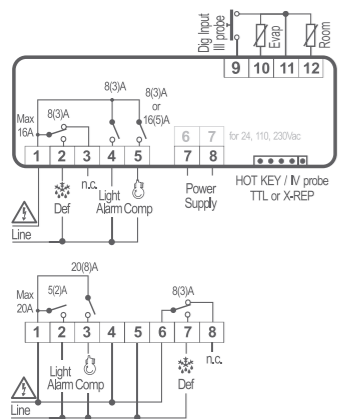


CX: 32x74mm

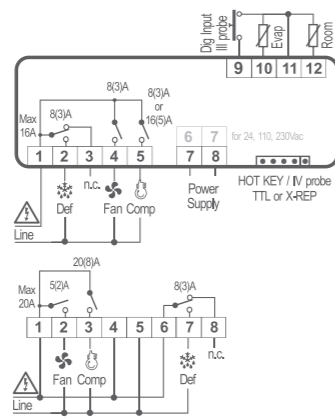
XR50CX	Digital controller for NT and LT static applications with electrical or hot gas defrost and auxiliary relay
XR60CX	Digital controller for NT and LT ventilated applications with dual humidity function
XR64CX	Digital controller for NT and LT ventilated applications with dual evaporators

FEATURES	XR50CX		XR60CX		XR64CX	
Display: n° digits	± 3 d.p.	± 3 d.p.	± 3 d.p.	± 3 d.p.	± 3 d.p.	± 3 d.p.
Power supply	12, 24Vac/dc 24, 110, 230Vac	110, 230Vac	12, 24Vac/dc 24, 110, 230Vac	110, 230Vac	110, 230Vac	12Vac/dc
Probe inputs						
Thermostat	NTC, PTC	NTC, PTC	NTC, PTC	NTC, PTC	NTC, PTC	NTC, PTC
Thermostat 2						
Defrost	NTC, PTC	NTC, PTC	NTC, PTC	NTC, PTC	NTC, PTC	NTC, PTC
Defrost 2						
Condenser	NTC, PTC on HOT KEY	NTC, PTC on HOT KEY	NTC, PTC on HOT KEY	NTC, PTC on HOT KEY	NTC, PTC on HOT KEY	NTC, PTC on HOT KEY
Digital inputs						
Alarm, start defrost, AUX door switch, pressure switch, probe	config	config	config	config	config	config
Alarm, start defrost, AUX, door switch, pressure switch						
Relay outputs						
Compressor	8A, 16A	20A	8A, 16A	20A	8A, 16A	16A
Compressor 2						
Thermostat 2						
Defrost	8A	8A	8A	8A	8A	16A
Defrost 2						
Fans			8A	5A	5A	16A
Light or alarm	8A	5A				
Anti-sweat						
Agitator						
Other Hot Key						
Hot Key/Prog Tool Kit output	pres	pres	pres	pres	pres	pres
Remote display output	X-REP opt	X-REP opt	X-REP opt	X-REP opt	X-REP opt	X-REP opt
Serial output	TTL	TTL	TTL	TTL	TTL	TTL
Buzzer	opt	opt	opt	opt	opt	opt
Real time clock						

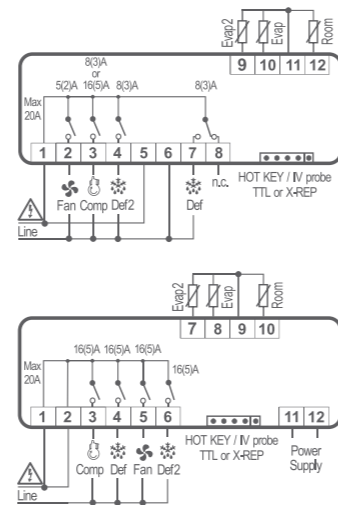
XR50CX



XR60CX



XR64CX



Prime CX

Controllers for Ventilated Applications

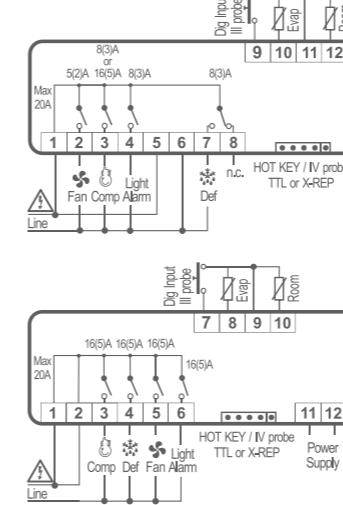


CX: 32x74mm

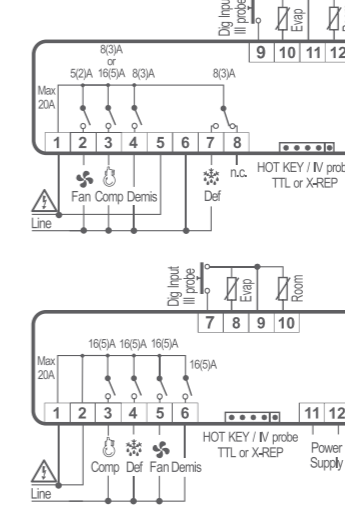
XR70CX	Digital controller for NT and LT with auxiliary relay and dual humidity function
XR71CX	Digital controller for NT and LT with anti sweat heater management
XR72CX	Digital controller for NT and LT with dual compressor management

FEATURES	XR70CX		XR71CX		XR72CX	
Display: n° digits	± 3 d.p.	± 3 d.p.	± 3 d.p.	± 3 d.p.	± 3 d.p.	± 3 d.p.
Power supply	110, 230Vac	12Vac/dc	110, 230Vac	12Vac/dc	110, 230Vac	12Vac/dc
Probe inputs						
Thermostat	NTC, PTC	NTC, PTC	NTC, PTC	NTC, PTC	NTC, PTC	NTC, PTC
Thermostat 2						
Defrost	NTC, PTC	NTC, PTC	NTC, PTC	NTC, PTC	NTC, PTC	NTC, PTC
Defrost 2						
Condenser	NTC, PTC on HOT KEY	NTC, PTC on HOT KEY	NTC, PTC on HOT KEY	NTC, PTC on HOT KEY	NTC, PTC on HOT KEY	NTC, PTC on HOT KEY
Digital inputs						
Alarm, start defrost, AUX door switch, pressure switch, probe	config	config	config	config	config	config
Alarm, start defrost, AUX, door switch, pressure switch						
Relay outputs						
Compressor	8A, 16A	16A	8A, 16A	16A	8A, 16A	16A
Compressor 2					8A	16A
Thermostat 2						
Defrost	8A	16A	8A	16A	8A	16A
Defrost 2						
Fans	5A	16A	5A	16A	5A	16A
Light or alarm	8A	16A				
Anti-sweat					8A	
Agitator						
Other Hot Key						
Hot Key/Prog Tool Kit output	pres	pres	pres	pres	pres	pres
Remote display output	X-REP opt	X-REP opt	X-REP opt	X-REP opt	X-REP opt	X-REP opt
Serial output	TTL	TTL	TTL	TTL	TTL	TTL
Buzzer	opt	opt	opt	opt	opt	opt
Real time clock	opt	opt	opt	opt	opt	opt

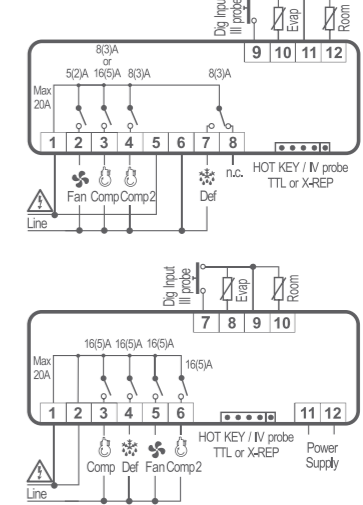
XR70CX



XR71CX



XR72CX



Prime CX

Controllers for Ventilated Applications

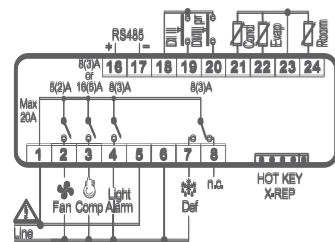


CX: 32x74mm

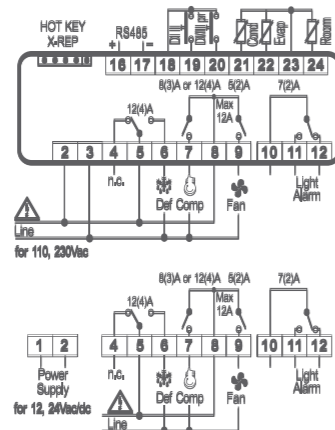
XR75CX	Digital controller for NT and LT ventilated applications with auxiliary relay, dual humidity function and RS485
XR77CX	Digital controller for NT and LT ventilated applications with auxiliary relay, dual humidity function, RS485 and relay with separated common lines
XR80CX	Digital controller for storage, milk cooling, and for refrigerated air dryers

FEATURES	XR75CX	XR77CX	XR80CX
Display: n° digits	± 3 d.p.	± 3 d.p.	± 3 d.p.
Power supply	110, 230Vac	12, 24Vac/dc 110, 230Vac	12Vac/dc 110, 230Vac
Probe inputs			
Thermostat	NTC, Pt1000	NTC/Pt1000	NTC, PTC
Thermostat 2			
Defrost	NTC, Pt1000	NTC, Pt1000	
Defrost 2			
Condenser	NTC, Pt1000	NTC, Pt1000	
Digital inputs			
Alarm, start defrost, AUX door switch, pressure switch, probe	config	config	
Alarm, start defrost, AUX, door switch, pressure switch	config	config	config
Relay outputs			
Compressor	8A, 16A	8A, 12A	8A, 20A
Compressor 2			
Thermostat 2			
Defrost	8A	12A	
Defrost 2			
Fans	5A	5A	
Light or alarm	8A	7A	
Anti-sweat			
Agitator			8A
Other Hot Key			
Hot Key/Prog Tool Kit output	pres	pres	pres
Remote display output	X-REP	X-REP	
Serial output	RS485	RS485	TTL
Buzzer	opt	opt	opt
Real time clock	opt	opt	

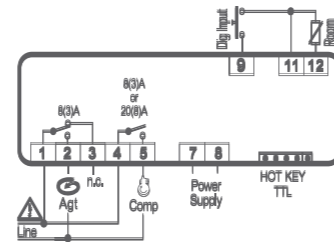
XR75CX



XR77CX



XR80CX



Prime D Series: NT and LT Applications



- Innovative digital controllers dedicated to normal and low temperature refrigerated applications
- Direct line power supply 230 (110)Vac. No external transformer required
- Direct driving of compressors up to 1,2HP, (20A relay inside)
- Pre-programming of the main control variables, easy and intuitive programming mode
- Keyboard lock, alarm signalling by relay, display or buzzer
- Configurable digital input for door switch, defrost, general or serious alarm
- Auxiliary relay activated through keys or digital input
- Hot Key connector for quick and easy programming
- HACCP function
- 3VA max power absorption
- Display with red LED (13,2mm high)

How to order

Prime D	X	R			D	-	A	B	C	D	E	-17.8	For Blue Display please contact Dixell
A	B	C	D	E									
Power supply	Inputs	Buzzer	Measurement unit	Compressor Output									
2 = 24Vac	P = PTC	0 = No	C = °C	0 = 8A									
4 = 110Vac	N = NTC	1 = Yes	F = °F	1 = 20A									
5 = 230Vac			H = °C heating only for XR10D										
			L = °F heating only for XR10D										

Prime D

Thermostat and Controllers for Static or Ventilated Applications or for Milk Cooling

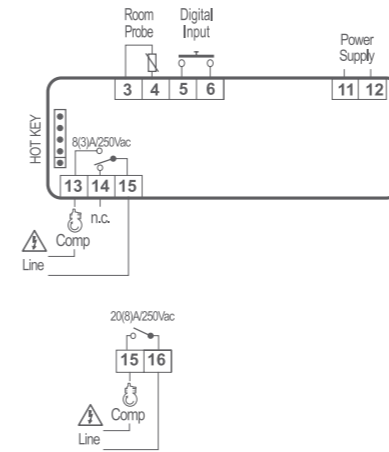


D: 4 DIN Rail

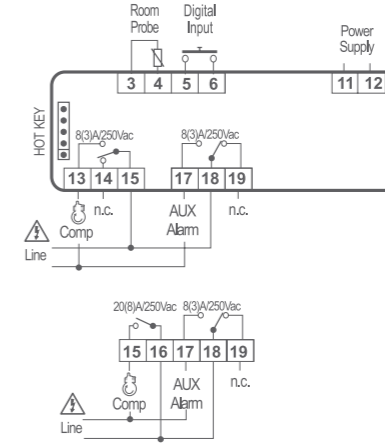
XR10D	Digital thermostat with heating or cooling action
XR20D	Digital controller for NT with "off cycle" defrost
XR30D	Digital controller for NT with "off cycle" defrost and additional configurable relay
XR60D	Digital controller for NT and LT ventilated applications with door switch capability
XR70D	Digital controller for NT and LT ventilated applications with door switch capability and auxiliary relay
XR80D	Digital controller for milk cooling with agitation cycle capability

FEATURES	XR10D	XR20D	XR30D	XR60D	XR70D	XR80D
Display: n° digits	± 3 d.p.	± 3 d.p.	± 3 d.p.	± 3 d.p.	± 3 d.p.	± 3 d.p.
Power supply	24, 110, 230Vac					
Probe inputs						
Thermostat	NTC, PTC					
Defrost						
Digital inputs						
Alarm, start defrost, AUX door switch, pressure switch, probe	config	config	config	config	config	
Relay outputs						
Compressor	no 8A/nc 5A, 20A	no 8A/nc 5A, 20A	no 8A/nc 5A, 20A	no 8A/nc 5A, 20A	no 8A/nc 5A, 20A	no 8A/nc 5A, 20A
Defrost				no 8A/nc 5A, 20A	no 8A/nc 5A, 20A	
Fans					no 8A/nc 5A	
Alarm						
Agitator						no 8A/nc 5A
Alarm or auxiliary			no 8A/nc 5A			
Other Hot Key						
Functions	HACCP	HACCP	HACCP	HACCP	HACCP	min/max
Hot Key Output	pres	pres	pres	pres	pres	pres
Buzzer	opt	opt	opt	opt	opt	opt

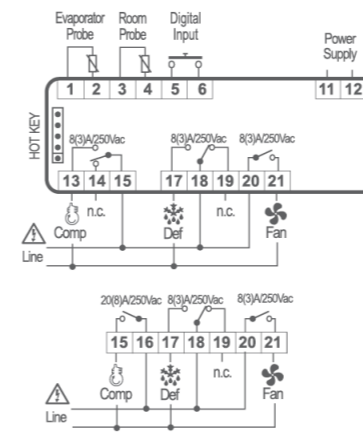
XR10D-XR20D



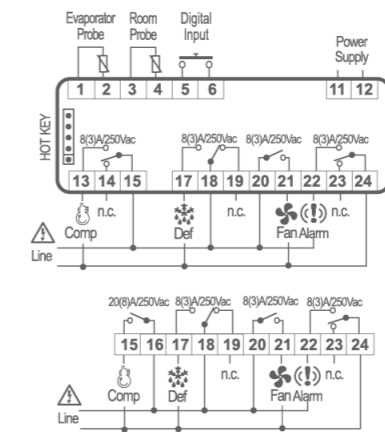
XR30D



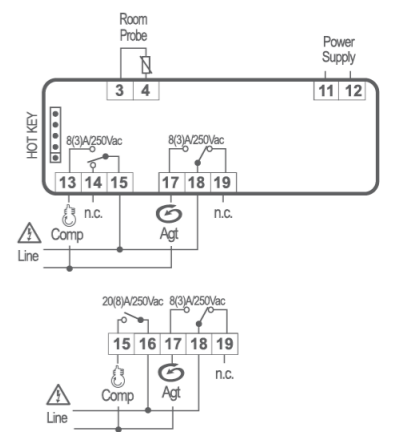
XR60D



XR70D



XR80D



Emerson.Com

Asia 02 00 Issued 06/2022 Emerson is a trademark of Emerson Electric Co. or one of its affiliated companies. ©2022 Emerson Electric Co. All rights reserved.

EMERSON. CONSIDER IT SOLVED.™