

ZBD Digital Scroll and Control Solutions



Product Catalogue





Using advanced technologies to provide customers with best-in-class products

Emerson commercial & residential solutions is the world’s leading provider of heating, ventilation, air conditioning and refrigeration solutions for residential, commercial and industrial applications, supporting the industry with advanced technology, technical support and training services.

Over the past 80 years, Emerson has introduced a number of pioneering technologies to the market. From the first semi-hermetic compressor from the 1940s, to fully hermetic compressors of the 1950s, the efficient Discus semi-hermetic compressors in the 1980s, the scroll compressors for air conditioning and heating in the 1990s, to today’s latest Stream semi-hermetic and digital scroll compressors. Emerson has been on the forefront of technological innovation.

Not only that, but we also offer exceptional solutions for the air conditioning and refrigeration markets. Emerson is the leading solution provider for the air conditioning and refrigeration industry. The company’s Copeland brand offers a wide range of solutions: from scroll and semi-hermetic compressors for both primary refrigerants to variable capacity outputs. Regulated compressors and compressors equipped with intelligent electronic control components. Emerson is leading the development of compressor technology to new heights.

Our mission

- Ensuring health and human comfort
- Protecting food quality and sustainability
- Advancing energy efficiency and environmental conservation
- Creating sustainable infrastructure

Table of contents

Features and benefits	04
Digital scroll compressor solution	05
Nomenclature	06
Bill of material	06
Operating envelope	07
Performance tables	08
Technical tables	14
Dimensional drawings	15
Contact lists	18



Leading innovations in digital scroll technology

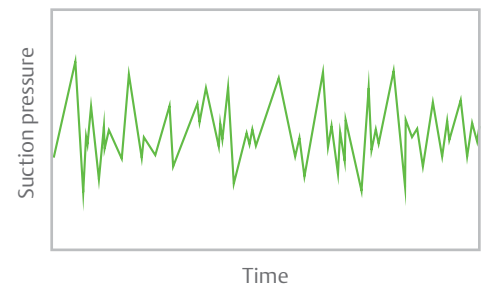
Emerson's scroll compression technology, introduced in 1987, revolutionized the compressor industry. In 2012, Emerson's 100 millionth scroll compressor rolled off the assembly line. It marked an important milestone for Emerson as a world leader in the development and application of scroll technology.

Energy-efficient refrigeration through digital modulation

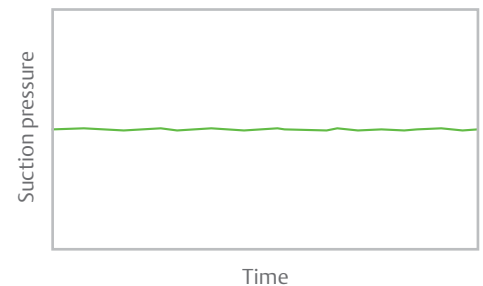
Today, Emerson is the world's largest manufacturer of refrigeration compressors, underscoring Emerson's thrust of ensuring food safety and protecting the environment. Leveraging on Emerson's vast global network and R&D resources, the company also continues to develop the ultimate in climate technology for various businesses. Emerson helps provide solutions to achieve high efficiency systems for cold storage warehouses, supermarkets, quick service restaurants, meat trading and processing facilities, seafood import and export establishments, agricultural depots and retail outlets - green technologies with less environmental impact.

With today's growing need to address energy efficiency and precise temperature control, Emerson provides ZBD compressors - digital scroll technology in a simplified, compact design yet very reliable. Precise capacity modulation control proves beneficial in a number of applications, including cold rooms that need accurate temperature control as well as multiple evaporator systems with varying cooling loads. The ZBD features continuous capacity modulation range of 10-100%. Compared to cycling compressors, the stepless capacity control of the ZBD enables for a smoother and a more accurate approach to load matching. Furthermore, the streamlined design of digital scroll technology requires less control boards than variable speed compressor technology which contributes to its high reliability and simplicity in operation.

Compressor modulation by cycling compressor on and off
Saw tooth profile of suction pressure for fixed speed compressors



Compressor modulation by digital scroll compressors
Smooth system suction pressure



Main features and advantages:

- 10-100% stepless capacity modulation, ensuring precise temperature control and reducing goods weight loss
- Less complicated compared to variable speed technologies
- More reliable compared to other modulation technologies due to elimination of oil return issues
- Proven scroll technology paired with mechanical unloading system provides greater reliability and efficiency



Digital Scroll Solution

- Precise temperature control - stepless capacity adjustment to meet year-round load changes
- Safe operation - adapts to multiple evaporator systems, effectively prevents floodback
- Reduce operating costs - energy efficient, best life cycle cost
- Easy to use - easy to design, easy operation and maintenance
- High reliability - proven controller for high reliability

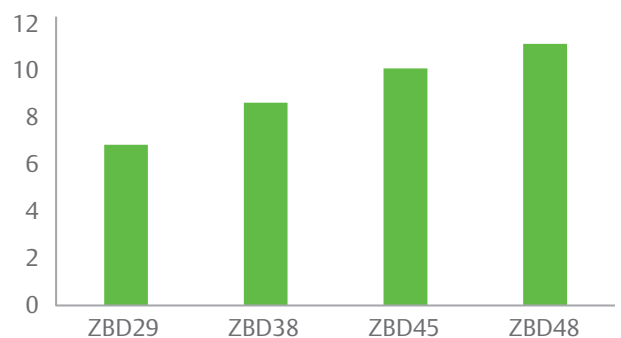


- ZBD digital compressor**
- 10~100% stepless capacity modulation
 - High efficiency and reliability

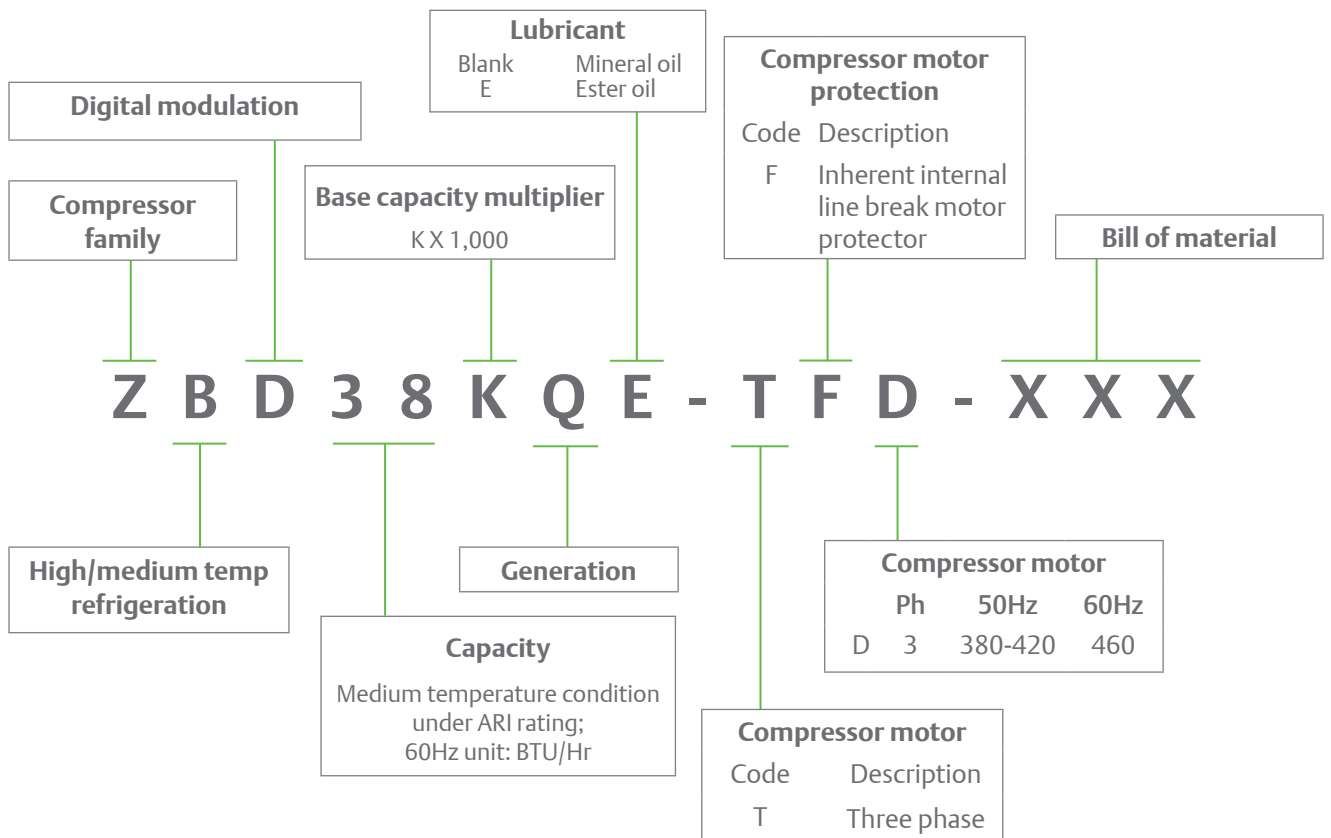
- Digital controller**
- Advanced digital unit controller
 - Provides a variety of pressure and temperature protections, ensuring system security and stability.

- Fan speed controller**
- Adjustable AC condenser fan speed

Cooling capacity, kW



Nomenclature

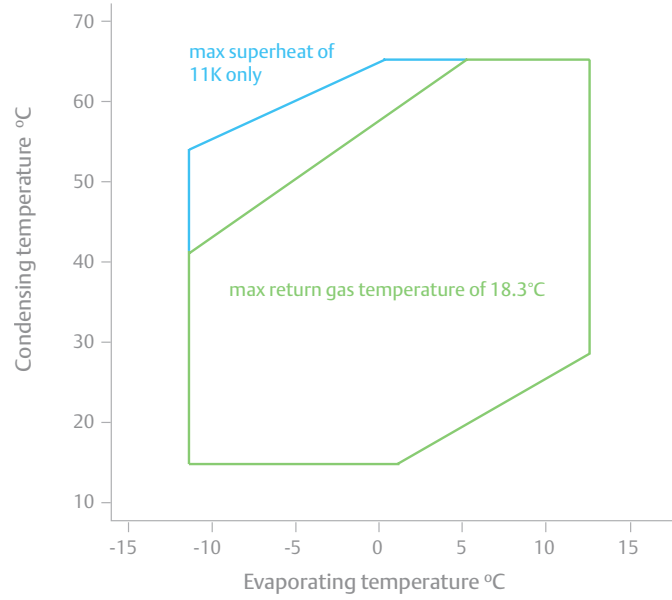


Bill of material

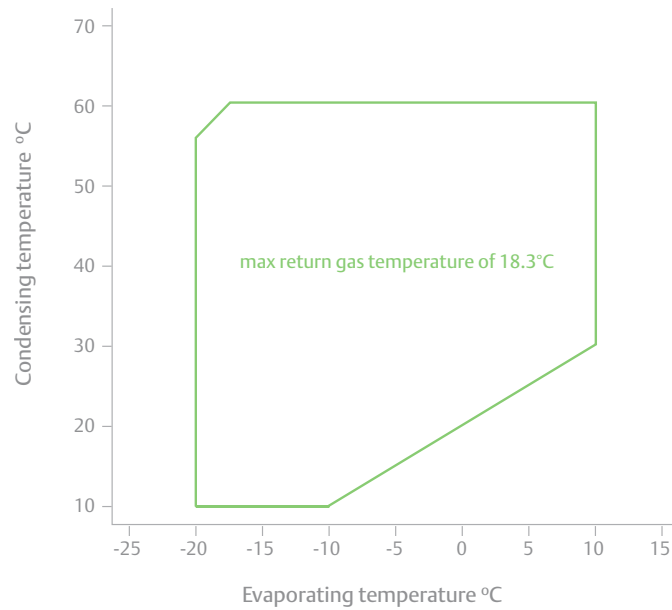
Configuration code	BOM-578
Digital scroll compressor	X1
Solenoid valve body and coil (220V 50/60 Hz)	X1
Digital Controller (XC35CX)	X1
Low pressure transducer	X1
Discharge temperature sensor	X1
Fan speed controller	Optional
Mid-coil temperature sensor	Optional

Operating envelopes

R22



R404A



Performance data

Q=Capacity (kW) P=Power input (kW) 3-Phase

R22 50 Hz

Compressor	Condensing temperature °C	Evaporating temperature °C							
		-12	-10	-5	0	5	10	12.5	
ZBD29KQ	Q	15	7.90	8.53	10.30	12.40			
		20	7.58	8.19	9.89	11.90	14.20		
		30	6.99	7.55	9.11	10.90	13.00	15.45	16.75
		40	6.37	6.89	8.32	9.98	11.90	14.10	15.30
		50	5.60	6.09	7.45	8.96	10.70	12.70	13.80
		55		5.62	6.91	8.41	10.05	11.95	13.00
		60			6.34	7.75	9.38	11.20	12.20
	65				7.07	8.62	10.35	11.30	
	P	15	1.46	1.48	1.52	1.57			
		20	1.62	1.64	1.68	1.74	1.80		
		30	1.98	2.01	2.06	2.11	2.17	2.24	2.28
		40	2.44	2.46	2.52	2.57	2.62	2.67	2.69
		50	3.05	3.08	3.14	3.18	3.21	3.24	3.25
		55		3.46	3.52	3.56	3.58	3.60	3.60
60				3.96	3.99	4.01	4.01	4.00	
65				4.49	4.50	4.49	4.47		
ZBD38KQ	Q	15	8.72	9.20	10.60	12.30			
		20	9.12	9.69	11.30	13.25	15.50		
		30	8.86	9.55	11.45	13.60	16.10	18.95	20.50
		40	7.95	8.64	10.50	12.70	15.15	17.95	19.50
		50	7.20	7.79	9.48	11.35	13.50	16.00	17.40
		55		7.71	9.12	10.80	12.75	14.95	16.20
		60			9.10	10.45	12.15	14.05	15.15
	65				10.50	11.80	13.35	14.25	
	P	15	2.24	2.35	2.65	3.00			
		20	2.21	2.28	2.48	2.70	2.97		
		30	2.55	2.58	2.65	2.72	2.81	2.92	2.99
		40	3.14	3.17	3.23	3.27	3.29	3.32	3.34
		50	3.65	3.73	3.90	4.01	4.09	4.15	4.17
		55		3.90	4.16	4.36	4.51	4.62	4.67
60				4.32	4.63	4.88	5.08	5.16	
65			12.50	4.79	5.17	5.48	5.62		
ZBD45KQ	Q	15	10.25	10.85	13.35	14.50			
		20	10.75	11.45	13.55	15.60	18.30		
		30	10.50	11.30	12.50	16.10	19.00	22.40	24.20
		40	9.48	10.30	11.40	15.05	17.95	21.30	23.10
		50	8.70	9.40	11.00	13.60	16.15	19.10	20.70
		55		9.35	11.05	13.00	15.30	17.90	19.40
		60			3.12	12.65	14.65	16.90	18.20
	65			2.93	12.80	14.30	16.15	17.20	
	P	15	2.63	2.76	3.15	3.52			
		20	2.61	2.70	3.85	3.19	3.50		
		30	3.02	3.06	4.66	3.23	3.34	3.48	3.57
		40	3.73	3.77	4.99	3.90	3.94	3.98	4.00
		50	4.36	4.46	5.20	4.80	4.91	4.98	5.01
		55		4.68		5.23	5.42	5.56	5.62
60					5.57	5.88	6.12	6.22	
65				5.79	6.24	6.62	6.79		

Notes: Suction return temperature 18.3°C
 Suction superheat 11.0K
 Liquid subcooling 0.0K

Performance data

Q=Capacity (kW) P=Power input (kW) 3-Phase

R22 50 Hz

Compressor	Condensing temperature °C	Evaporating temperature °C							
		-12	-10	-5	0	5	10	12.5	
ZBD48KQ	Q	15	11.55	12.20	14.05	16.30			
		20	12.10	12.85	15.05	17.60	20.60		
		30	11.80	12.75	15.25	18.15	21.40	25.20	27.30
		40	10.65	11.60	14.10	17.00	20.30	24.00	26.00
		50	9.79	10.60	12.85	15.35	18.25	21.60	23.40
		55	-	10.55	12.45	14.70	17.30	20.30	22.00
		60	-	-	12.50	14.35	16.60	19.15	20.60
	65	-	-	-	14.45	16.20	18.30	19.50	
	P	15	2.96	3.11	3.51	3.97			
		20	2.92	3.01	3.28	3.58	3.93	-	-
		30	3.35	3.39	3.49	3.59	3.71	3.86	3.96
		40	4.11	4.16	4.24	4.29	4.33	4.37	4.40
		50	4.76	4.87	5.10	5.25	5.37	5.45	5.48
		55		5.07	5.43	5.70	5.90	6.06	6.13
60				5.62	6.04	6.38	6.65	6.77	
65				6.23	6.74	7.17	7.35		

Notes: Suction return temperature 18.3°C
 Suction superheat 11.0K
 Liquid subcooling 0.0K

Performance data

Q=Capacity (kW) P=Power input (kW) 3-Phase

R404A 50 Hz

Compressor	Condensing temperature °C	Evaporating temperature °C							
		-20	-15	-10	-5	0	5	10	
ZBD29KQE	Q	10	7.13	8.67	10.45				
		20	6.49	7.90	9.54	11.45	13.65		
		30	5.80	7.06	8.53	10.20	12.15	14.40	17.00
		40	5.04	6.14	7.40	8.86	10.55	12.50	14.75
		50	4.21	5.11	6.15	7.36	8.76	10.40	12.30
		60		3.97	4.77	5.70	6.80	8.10	9.62
	P	10	1.39	1.36	1.35				
		20	1.83	1.85	1.86	1.87	1.91		
		30	2.19	2.25	2.29	2.32	2.35	2.42	2.52
		40	2.63	2.72	2.78	2.82	2.86	2.91	2.98
		50	3.28	3.41	3.50	3.55	3.58	3.61	3.66
		60		4.47	4.57	4.63	4.66	4.67	4.69
ZBD38KQE	Q	10	9.18	11.00	13.10				
		20	8.14	9.82	11.85	14.15	16.75		
		30	7.19	8.75	10.55	12.65	15.05	17.70	
		40	6.28	7.64	9.23	11.05	13.15	15.50	
		50	5.33	6.46	7.77	9.29	11.05	13.05	
		60		6.15	6.14	7.30	8.66	10.25	
	P	10	1.84	1.88	1.90				
		20	2.37	2.46	2.53	2.58	2.60		
		30	2.85	2.97	3.09	3.18	3.25	3.30	3.31
		40	3.37	3.52	3.67	3.79	3.90	3.99	4.05
		50	4.01	4.18	4.35	4.50	4.64	4.75	4.84
		60		5.03	5.21	5.38	5.53	5.67	5.79
ZBD45KQE	Q	10	10.90	13.05	15.60				
		20	9.69	11.70	14.05	16.80	19.90		
		30	8.56	10.40	12.55	15.05	17.85	21.10	24.70
		40	7.47	9.09	10.95	13.15	15.65	18.45	21.60
		50	6.35	7.69	9.24	11.05	13.15	15.50	18.20
		60		6.12	7.30	8.68	10.30	12.15	14.30
	P	10		2.25	2.27				
		20	2.20	2.93	3.01	3.07	3.10		
		30	2.82	3.55	3.68	3.79	3.88	3.93	3.95
		40	3.40	4.20	4.37	4.52	4.65	4.76	4.82
		50	4.02	4.99	5.18	5.37	5.53	5.67	5.78
		60	4.78	6.01	6.22	6.42	6.61	6.77	6.91
ZBD48KQE	Q	10		14.70	17.50				
		20	12.30	13.15	15.85	18.90	22.40		
		30	9.63	11.70	14.15	16.90	20.10	23.70	27.80
		40	8.40	10.25	12.35	14.80	17.60	20.80	24.30
		50	7.14	8.65	10.40	12.45	14.75	17.45	20.50
		60		6.89	8.21	9.77	11.60	13.70	16.10
	P	10	2.42	2.47	2.50				
		20	3.10	3.22	3.31	3.38	3.41		
		30	3.73	3.90	4.04	4.17	4.26	4.32	4.34
		40	4.41	4.61	4.80	4.97	5.11	5.23	5.30
		50	5.25	5.48	5.69	5.89	6.07	6.23	6.35
		60		6.60	6.83	7.05	7.25	7.43	7.58

Notes: Suction return temperature 18.3°C
Liquid subcooling 0.0K

Performance data

Q=Capacity (kW) P=Power input (kW) 3-Phase

R22 60 Hz

Compressor	Condensing temperature °C	Evaporating temperature °C							
		-12	-10	-5	0	5	10	12.5	
ZBD29KQ	Q	15	9.49	10.25	12.35	14.85			
		20	9.11	9.84	11.90	14.25	17.00		
		30	8.40	9.07	10.95	13.10	15.60	18.50	20.10
		40	7.66	8.27	9.98	11.95	14.25	16.90	18.35
		50	6.75	7.32	8.94	10.75	12.80	15.20	16.55
		55		6.79	8.30	10.10	12.05	14.35	15.60
		60			7.65	9.31	11.25	13.40	14.60
	65				8.52	10.35	12.45	13.55	
	P	15	1.76	1.77	1.82	1.89			
		20	1.95	1.97	2.02	2.09	2.17		
		30	2.38	2.41	2.47	2.54	2.61	2.69	2.74
		40	2.93	2.96	3.03	3.09	3.15	3.21	3.24
		50	3.67	3.70	3.77	3.82	3.86	3.90	3.91
		55		4.16	4.23	4.28	4.31	4.33	4.33
60				4.76	4.80	4.82	4.82	4.82	
65				5.40	5.41	5.40	5.38		
ZBD38KQ	Q	15	10.45	11.05	12.70	14.75			
		20	10.95	11.65	13.60	15.90	18.65		
		30	10.65	11.45	13.75	16.35	19.35	22.80	24.70
		40	9.56	10.40	12.65	15.25	18.20	21.60	23.40
		50	8.67	9.39	11.40	13.70	16.30	19.30	21.00
		55		9.29	11.00	13.05	15.40	18.10	19.60
		60			11.00	12.65	14.65	17.00	18.30
	65				12.70	14.25	16.15	17.25	
	P	15	2.68	2.81	3.17	3.58			
		20	2.65	2.74	2.97	3.24	3.55		
		30	3.06	3.09	3.18	3.27	3.38	3.52	3.60
		40	3.76	3.80	3.88	3.93	3.96	4.00	4.02
		50	4.38	4.48	4.68	4.82	4.92	5.00	5.03
		55		4.68	5.00	5.24	5.42	5.57	5.62
60				5.20	5.57	5.87	6.12	6.22	
65				5.77	6.22	6.61	6.77		
ZBD45KQ	Q	15	12.45	13.10	15.10	17.55			
		20	13.00	13.85	16.15	18.90	22.10		
		30	12.65	13.65	16.35	19.45	23.00	27.10	29.30
		40	11.40	12.40	15.10	18.15	21.70	25.70	27.90
		50	10.40	11.25	13.65	16.35	19.45	23.00	25.00
		55		11.15	13.20	15.65	18.40	21.60	23.40
		60			13.20	15.20	17.60	20.30	21.90
	65				15.30	17.15	19.40	20.70	
	P	15	3.17	3.33	3.75	4.23			
		20	3.15	3.25	3.53	3.84	4.22		
		30	3.64	3.69	3.79	3.90	4.03	3.48	4.30
		40	4.49	4.54	4.63	4.69	4.74	3.98	4.82
		50	5.23	5.35	5.59	5.77	5.89	4.98	6.03
		55		5.61	5.98	6.28	6.50	5.56	6.75
60				6.23	6.68	7.05	6.12	7.47	
65				6.94	7.48	6.62	8.14		

Notes: Suction return temperature 18.3°C
 ■ Suction superheat 11.0K
 ■ Liquid subcooling 0.0K

Performance data

Q=Capacity (kW) P=Power input (kW) 3-Phase

R22 60 Hz

Compressor	Condensing temperature °C	Evaporating temperature °C							
		-12	-10	-5	0	5	10	12.5	
ZBD48KQ	Q	15	13.85	14.60	16.85	19.55			
		20	14.45	15.40	17.95	21.00	20.60		
		30	14.05	15.15	18.15	21.60	21.40	30.10	27.30
		40	12.55	13.65	16.70	20.10	20.30	28.50	26.00
		50	11.30	12.30	14.90	18.00	18.25	25.40	23.40
		55	-	12.10	14.40	17.15	17.30	23.80	22.00
		60	-	-	14.35	16.55	16.60	22.30	20.60
	65	-	-	-	16.60	16.20	21.20	19.50	
	P	15	3.69	3.88	4.39	4.96			
		20	3.64	3.77	4.10	4.47	4.92	-	-
		30	4.20	4.25	4.38	4.50	4.65	4.85	4.97
		40	5.19	5.24	5.35	5.41	5.47	5.52	5.55
		50	6.04	6.18	6.46	6.66	6.81	6.91	6.96
		55		6.46	6.90	7.24	7.51	7.71	7.79
60				7.17	7.70	8.13	8.48	8.63	
65				7.97	8.62	9.16	9.40		

Notes: Suction return temperature 18.3°C
 Suction superheat 11.0K
 Liquid subcooling 0.0K

Performance data

Q=Capacity (kW) P=Power input (kW) 3-Phase

R404A 60 Hz

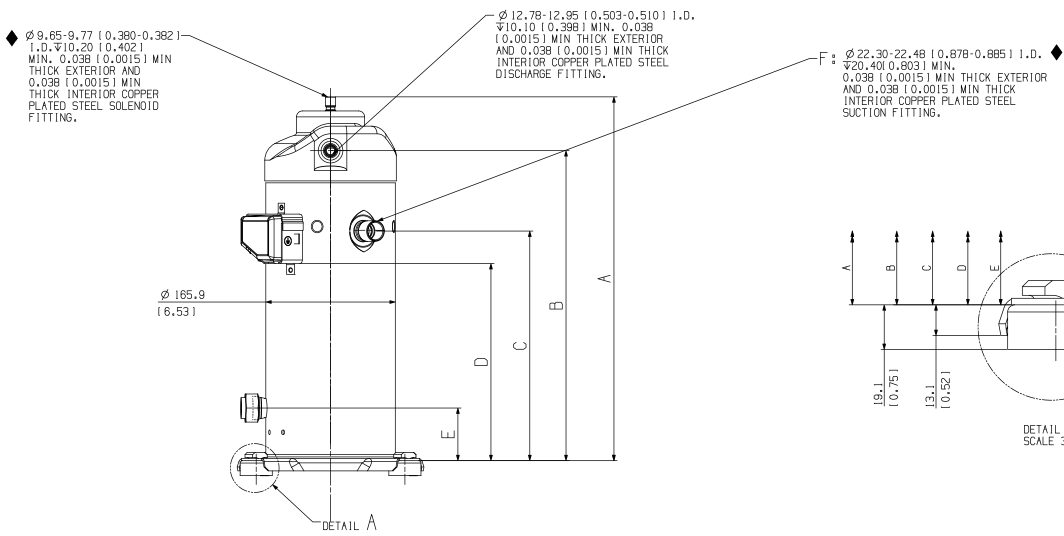
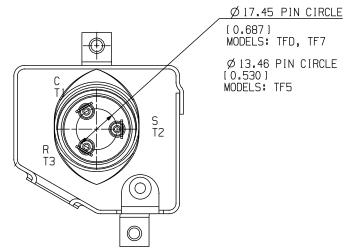
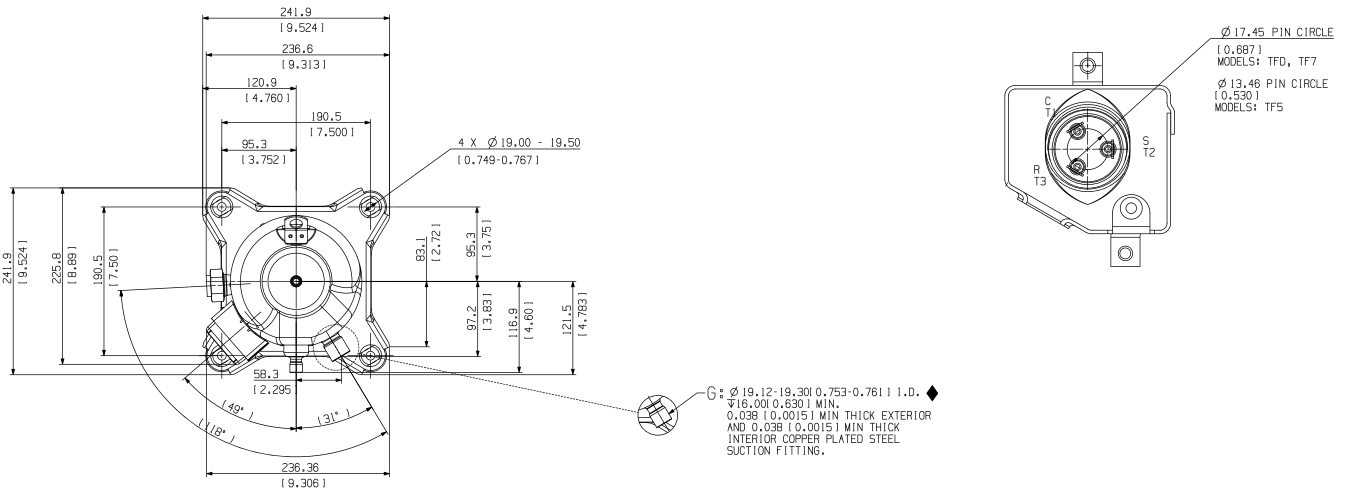
Compressor	Condensing temperature °C	Evaporating temperature °C							
		-20	-15	-10	-5	0	5	10	
ZBD29KQE	Q	10	8.57	10.45	12.60				
		20	7.76	9.46	11.45	13.70	16.35		
		30	6.98	8.51	10.25	12.30	14.60	14.40	20.30
		40	6.13	7.47	8.99	10.75	12.75	12.50	17.65
		50	5.10	6.24	7.51	8.97	10.65	10.40	14.75
		60		4.71	5.72	6.87	8.19	8.10	11.45
	P	10	1.66	1.63	1.61				
		20	2.18	2.21	2.22	2.25	2.30		
		30	2.63	2.70	2.75	2.79	2.84	2.92	3.06
		40	3.17	3.29	3.36	3.41	3.45	3.50	3.59
		50	3.96	4.12	4.21	4.27	4.29	4.31	4.35
		60	11.15	5.36	5.47	5.53	5.53	5.52	5.50
ZBD38KQE	Q	10		13.35	15.95				
		20	9.91	12.00	14.40	17.20	20.40		
		30	8.75	10.65	12.85	15.40	18.30	21.60	25.30
		40	7.63	9.30	11.25	13.45	16.00	18.90	22.10
		50	6.49	7.86	9.46	11.30	13.45	15.85	18.65
		60	2.22	6.27	7.47	8.89	10.55	12.45	14.70
	P	10		2.27	2.30				
		20	2.85	2.96	3.05	3.11	3.14		
		30	3.43	3.59	3.72	3.83	3.92	3.98	3.99
		40	4.06	4.25	4.42	4.57	4.71	4.81	4.88
		50	4.83	5.04	5.24	5.43	5.59	5.73	5.84
		60	13.30	6.07	6.28	6.49	6.67	6.84	6.98
ZBD45KQE	Q	10		45.90	18.95				
		20	11.80	14.25	17.10	20.40	24.20		
		30	10.40	12.65	15.30	18.30	21.70	25.60	30.00
		40	9.08	11.05	13.35	16.00	19.00	22.40	26.30
		50	7.71	9.35	11.25	13.45	16.00	18.85	22.10
		60	2.66	7.45	8.88	10.55	12.55	14.80	17.45
	P	10		2.74	2.75				
		20	3.41	3.54	3.64	3.72	3.75		
		30	4.11	4.29	4.45	4.59	4.69	4.75	4.77
		40	4.86	5.08	5.29	5.47	5.63	5.75	5.84
		50	5.78	3.03	6.27	6.49	6.69	6.86	6.99
		60	14.75	7.26	7.52	7.76	7.99	8.19	8.35
ZBD48KQE	Q	10		17.65	21.00				
		20	13.10	15.80	19.00	22.70	22.40		
		30	11.55	14.05	16.95	20.30	20.10	28.50	33.30
		40	10.10	12.25	14.80	17.75	17.60	24.90	29.20
		50	8.57	10.40	12.50	14.95	14.75	20.90	24.60
		60	2.92	8.27	9.86	11.75	11.60	16.45	19.36
	P	10		2.99	3.02				
		20	3.75	3.89	4.01	4.09	4.13		
		30	4.52	4.72	4.89	5.04	5.16	5.23	5.25
		40	5.34	5.59	5.81	6.02	6.19	6.33	6.42
		50	6.36	6.63	6.90	7.14	7.35	7.54	7.68
		60		7.99	8.27	8.53	8.78	9.00	9.18

Notes: Suction return temperature 18.3°C
Liquid subcooling 0.0K

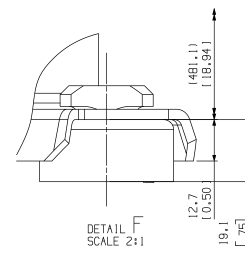
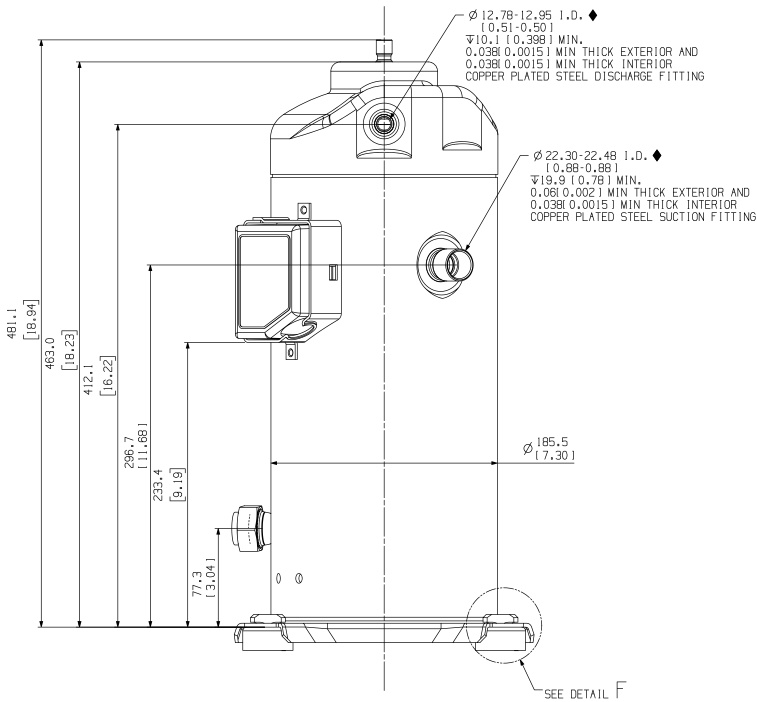
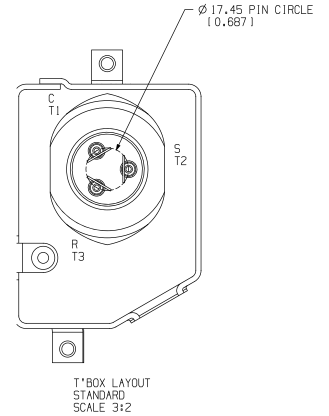
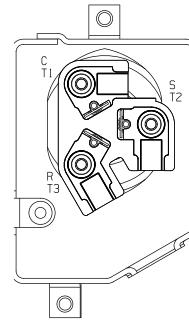
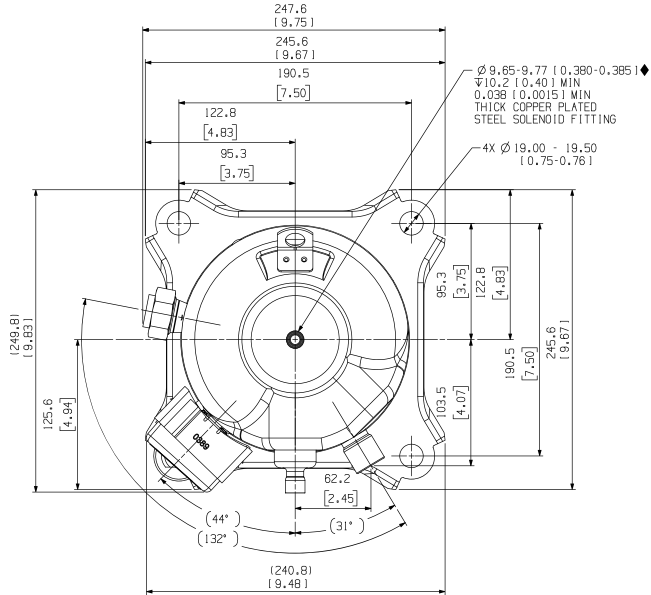
Technical data

Model			ZBD29KQ ZBD29KQE	ZBD38KQ ZBD38KQE	ZBD45KQ ZBD45KQE	ZBD48KQ ZBD48KQE	
Motor type			TFD	TFD	TFD	TFD	
Displacement			50 Hz	11.4	11.4	17.1	18.8
			60 Hz	13.8	13.8	20.6	22.6
LRA	50 Hz	TFD	48.0	48.0	74.0	100.0	
	60 Hz	TFD	46.0	46.0	70.0	100.0	
Max operating current	50 Hz	TFD	7.9	7.9	12.5	15.2	
	60 Hz	TFD	10.0	10.0	12.5	15.2	
Max continuous current	50 Hz	TFD	10.8	10.8	14.0	17.0	
	60 Hz	TFD	11.0	11.0	14.0	18.0	
RLA	KQ	TFD	7.9	7.9	10.0	12.9	
	KQE	TFD	7.7	7.7	9.6	12.8	
Oil charge, L		TFD	1.36	1.36	1.89	1.89	
Oil recharge, L		TFD	1.24	1.24	1.77	1.77	
Nominal power (HP)			4	4	6	7	
Crankcase heater (W)			70	70	70	70	
Connection tube size (inch)							
Discharge tube outer diameter			1/2	1/2	1/2	3/4	
Suction tube outer diameter			7/8	7/8	7/8	7/8	
Dimension (mm)							
Length			241	241	241		
Width			241	246	246		
Height			479	494	494		
Mounting parts installation size (hole size, mm)			190X190 (8.5)				
Net weight (kg)			72	84	88	90	
Sound power (dBA)			78	78	78	78	

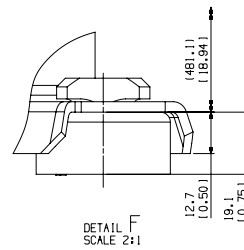
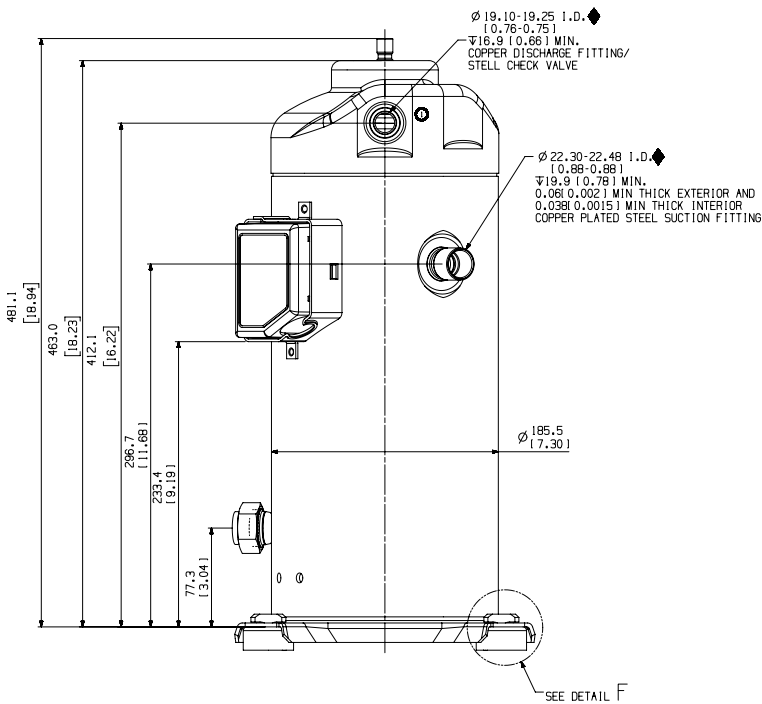
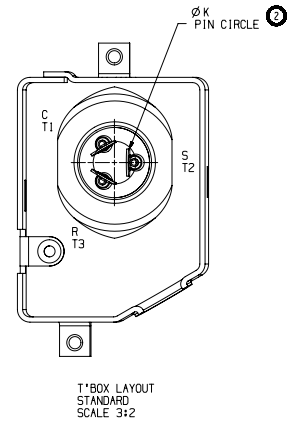
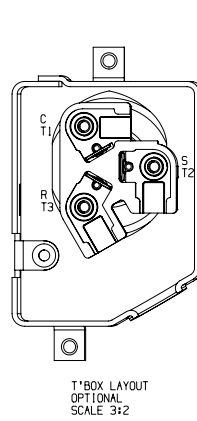
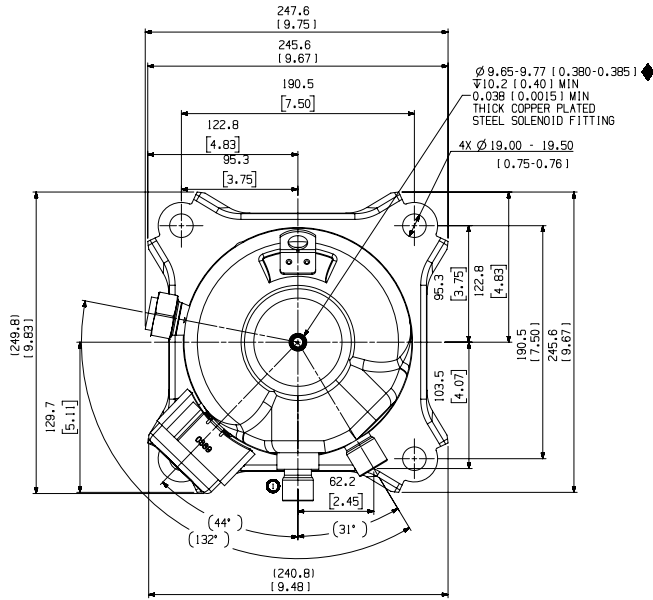
Dimensional drawing ZBD29KQ(E)



Dimensional drawing ZBD38-45KQ(E)



Dimensional drawing ZBD48KQ(E)



Contact lists

Asia Pacific Headquarters

Suite No. 2503-10A, 25/F,
Exchange Tower, 33 Wang Chiu Road,
Kowloon Bay, Kowloon, Hong Kong
Tel: (852) 2866 3108
Fax: (852) 2520 6227

Australia

356 Chisholm Road
Auburn NSW 2144, Australia
Tel: (612) 9795 2800
Fax: (612) 9738 1699

China - Beijing

Room 1203-1205,
North Wing Junefield Plaza Central Tower,
No. 10 Xuan Wu Men Wai Street,
XiCheng District, Beijing, PRC
Tel: (8610) 5095 2188

China - Guangzhou

Guangzhou Office
Unit 2202B, 22/F, Leatop Plaza,
32 Zhujiang East Road, Tianhe Dist.,
Guangzhou 510623, PRC
Tel: (8620) 8595 5188

China - Shanghai

Shanghai Sales Office
7F, Emerson Building, 1582 Gumei
Rd, Shanghai, PRC
Tel: (8621) 3338 7333

India - Mumbai

Delphi B-Wing, 601-602, 6th Floor
Central Avenue,
Hiranandani Business Park,
Powai, Mumbai 400076, India
Tel: (9122) 6786 0793
Fax: (9122) 6662 0500

India - Pune

Plot No. 23, Rajiv Gandhi Infotech Park,
Phase - II, Hinjewadi,
Pune 411 057, Maharashtra, India
Tel: (9120) 4200 2000
Fax: (9120) 4200 2099

Indonesia

BSD Taman Tekno 8
Jl. Tekno Widya Blok H10 No 2 & 3
Tangerang Selatan 15314
Indonesia
Tel: (6221) 2966 6242
Fax: (6221) 2966 6245

Japan

Shin-yokohama Tosho Building
No. 3-9-5 Shin-Yokohama, Kohoku-ku
Yokohama 222-0033 Japan
Tel: (8145) 475 6371
Fax: (8145) 475 3565

Malaysia

Level M2, Blk A, Menara PKNS-PJ
Jalan Yong Shook Lin
46050 Petaling Jaya, Selangor, Malaysia
Tel: (603) 7949 9222
Fax: (603) 7949 9333

Middle East & Africa

PO Box 26382
Jebel Ali Free Zone - South
Dubai, UAE
Tel: (9714) 811 8100
Fax: (9714) 886 5465

Philippines

10/F SM Cyber West Avenue, EDSA cor.
West Avenue, Barangay Bungad,
Diliman, Quezon City 1105 Philippines
Tel: (632) 689 7200

Saudi Arabia

PO Box 34332 - 3620 Building 7874
Unit 1, 67th street 2nd Industrial City
Dammam, Saudi Arabia
Toll Free: 800 844 3426
Tel: +966 3 8147560
Fax: +966 3 8147570

South Korea

3F, The Pinnacle Gangnam
343, Hakdong-ro, Gangnam-gu,
Seoul 06060, Republic of Korea
Tel: (822) 3483 1500
Fax: (822) 592 7883

Taiwan

3F No. 122 Lane 235,
Pao Chiau Rd., XinDianv Dist.,
New Taipei City 23145, Taiwan (R.O.C.)
Tel: (8862) 8912 1360
Fax: (8862) 8912 1890

Thailand

34th Floor, Interlink Tower,
1858/133, Bangna Trad,
Bangkok 10260, Thailand
Tel: (662) 716 4700
Fax: (662) 751 4241

United Arab Emirates

Jebel Ali Free Zone
PO Box 26382
Dubai UAE
Toll Free: 800 441 3428
Tel: +971 4 811 8100
Fax: +971 4 886 5465

Vietnam

Level 6, Melinh Point Tower,
2 Ngo Due Ke,
District 1, Ho Chi Minh City
Vietnam
Tel: (84) 908 009 189

Scan to visit:



Emerson Asia

Emerson.Com

Asia 01 03 Issued 6/2019 Emerson is a trademark of Emerson Electric Co. or one of its affiliated companies.
©2019 Emerson Electric Co. All rights reserved.



@EmersonComResAP

EMERSON. CONSIDER IT SOLVED.™