

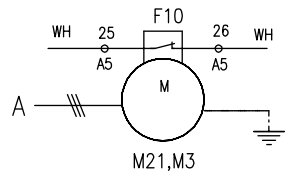
D4, D6, D8 Compressors

Direct or YΔ start (EWL, EWM, EWD, EWK)

Fans thermoprotected (F10)

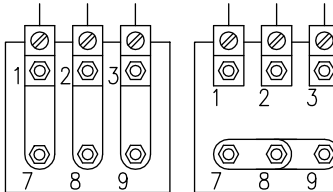
A5	N BU	L BN	- BK	-	-	-	N BU	L1 BK	F10 WH
M21	21	22	23	-	-	-	-	-	25 26
M3	-	-	-	-	-	-	21	23	-

Y 400V±15%/3~/50;60HZ
500V±15%/3~/50HZ
Δ 230V±15%/3~/50;60HZ
230V±15%/1~/50;60HZ

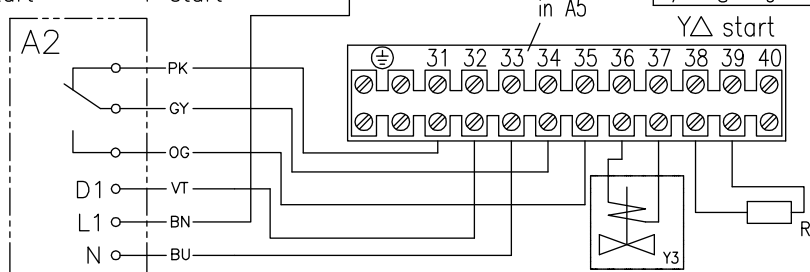
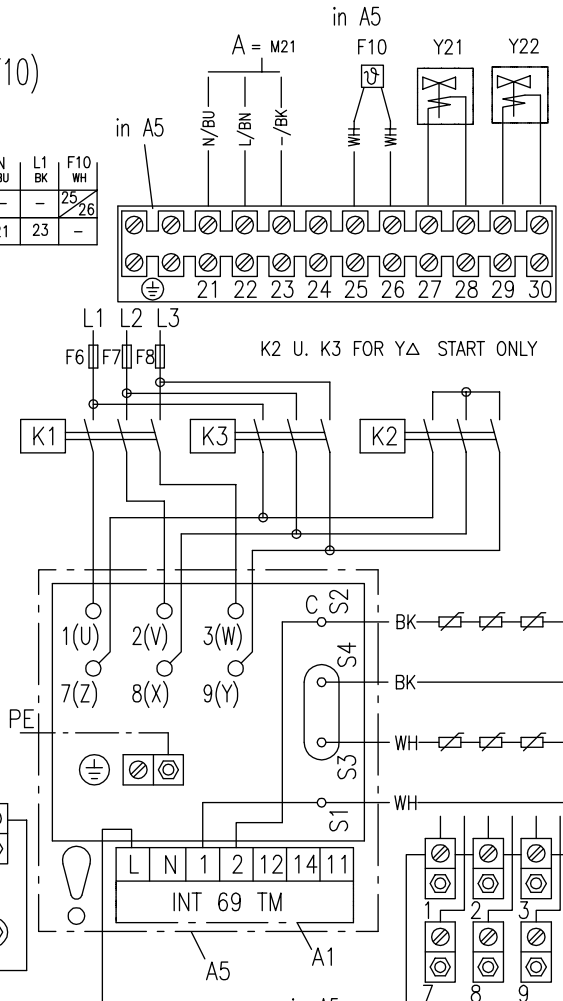


direct-start

EWL: 230/3/50
EWK: 230/3/60
EWM: 400/3/50
EWD: 460/3/60

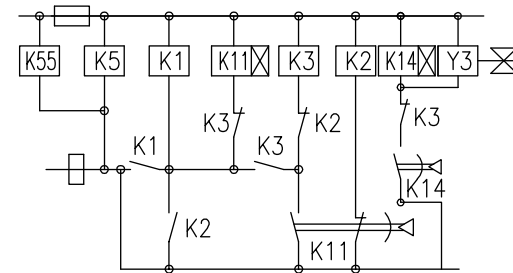


Δ start Y start

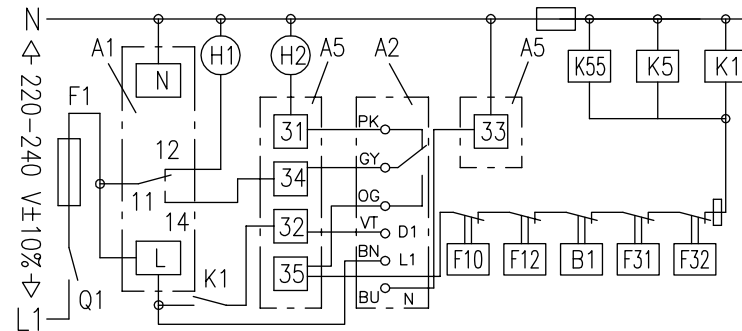


recommended control circuit

YΔ start



direct start



Attention

Compressor equipped with protection by thermistors
Connect thermistors only at terminals 1+2 of module A1.

Do not apply mains voltage. See wiring diagram.
Max. thermistor test voltage 3V.

Cold resistance of thermistors ≤ 750 Ω