

D9., D2., D3 Compressors direct or YΔ start

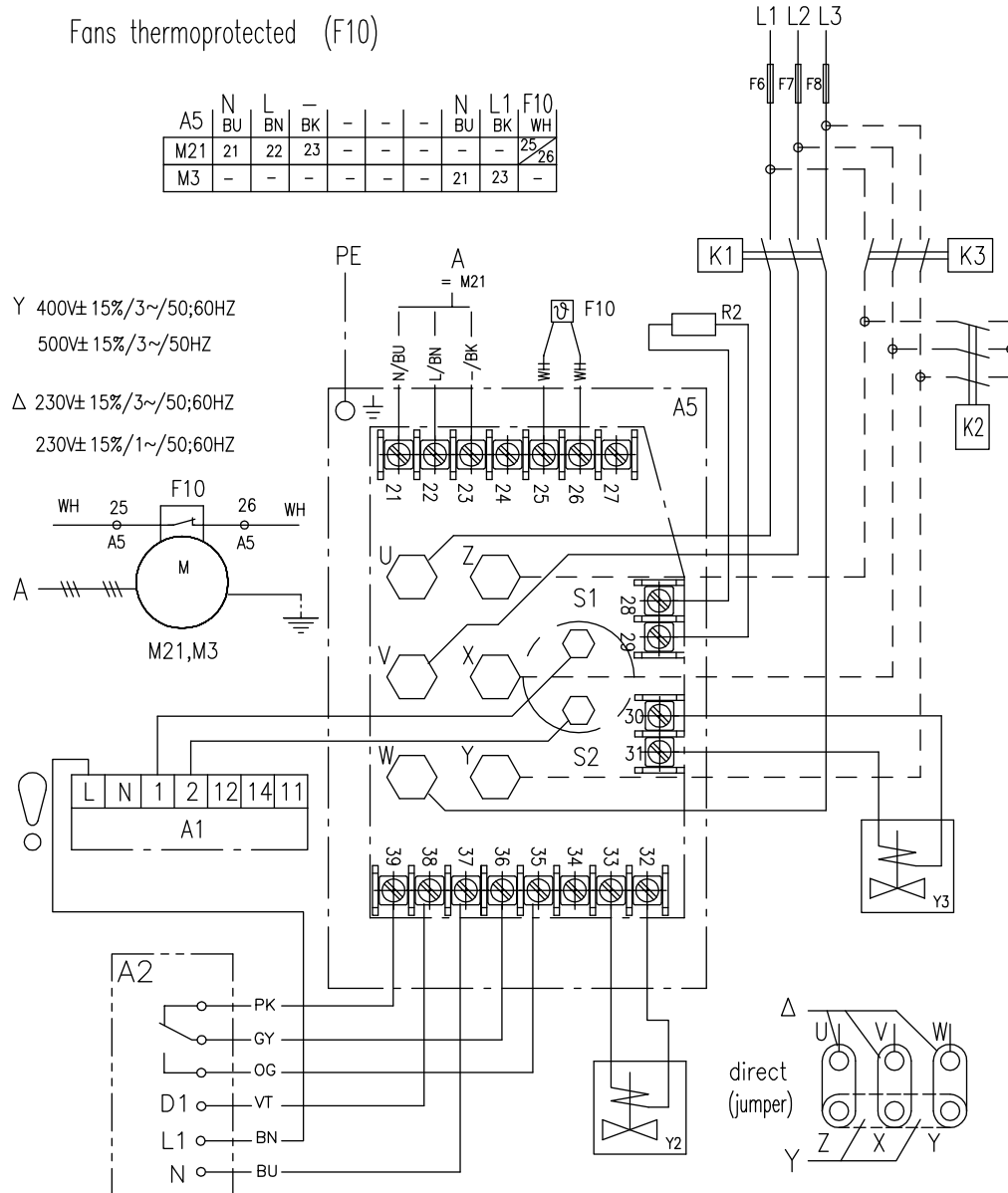
recommended control circuit

Fans thermoprotected (F10)

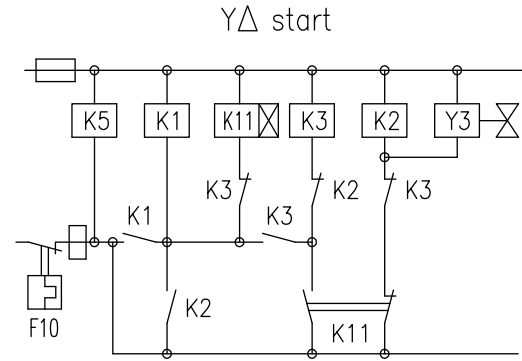
A5	N	L	-	-	-	N	L1	F10
BU	BN	BK	-	-	-	BU	BK	WH
M21	21	22	23	-	-	-	-	25 26
M3	-	-	-	-	-	21	23	-

Y 400V± 15%/3~/50;60HZ
500V± 15%/3~/50HZ

Δ 230V± 15%/3~/50;60HZ
230V± 15%/1~/50;60HZ

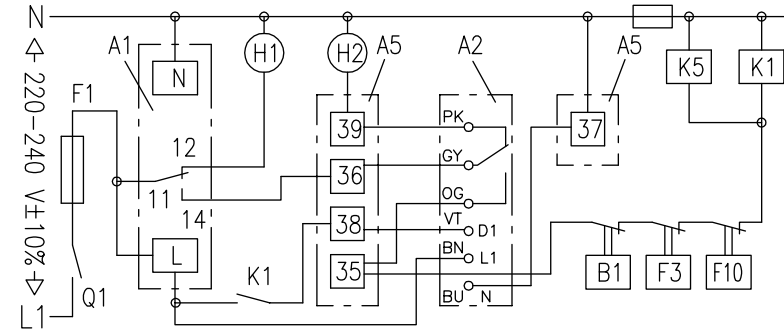


K2 u. K3 only with YΔ start



YΔ start

direct start



Attention Compressor equipped with protection by thermistors
Connect thermistors only at terminals 1+2 of module A1.
Do not apply mains voltage. See wiring diagram.
Max. thermistor test voltage 3V.
Cold resistance of thermistors ≤ 750 Ω