

# DEMAND COOLING D2., D3 Compressors

## direct or Y part winding start (AWM/D, AWR, AWY, AWX)

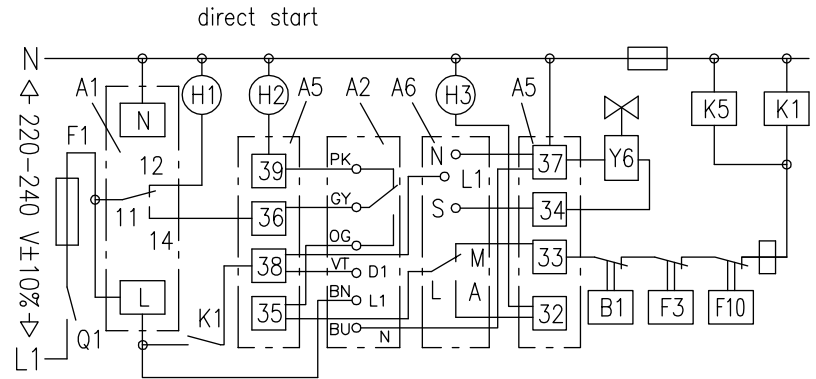
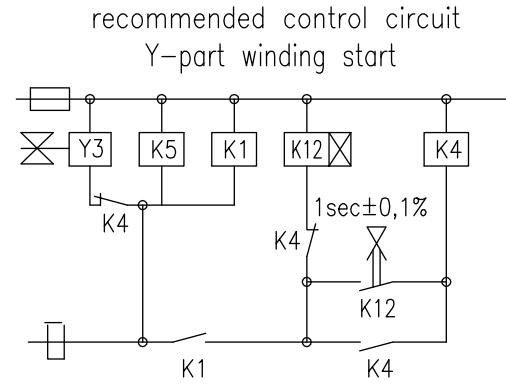
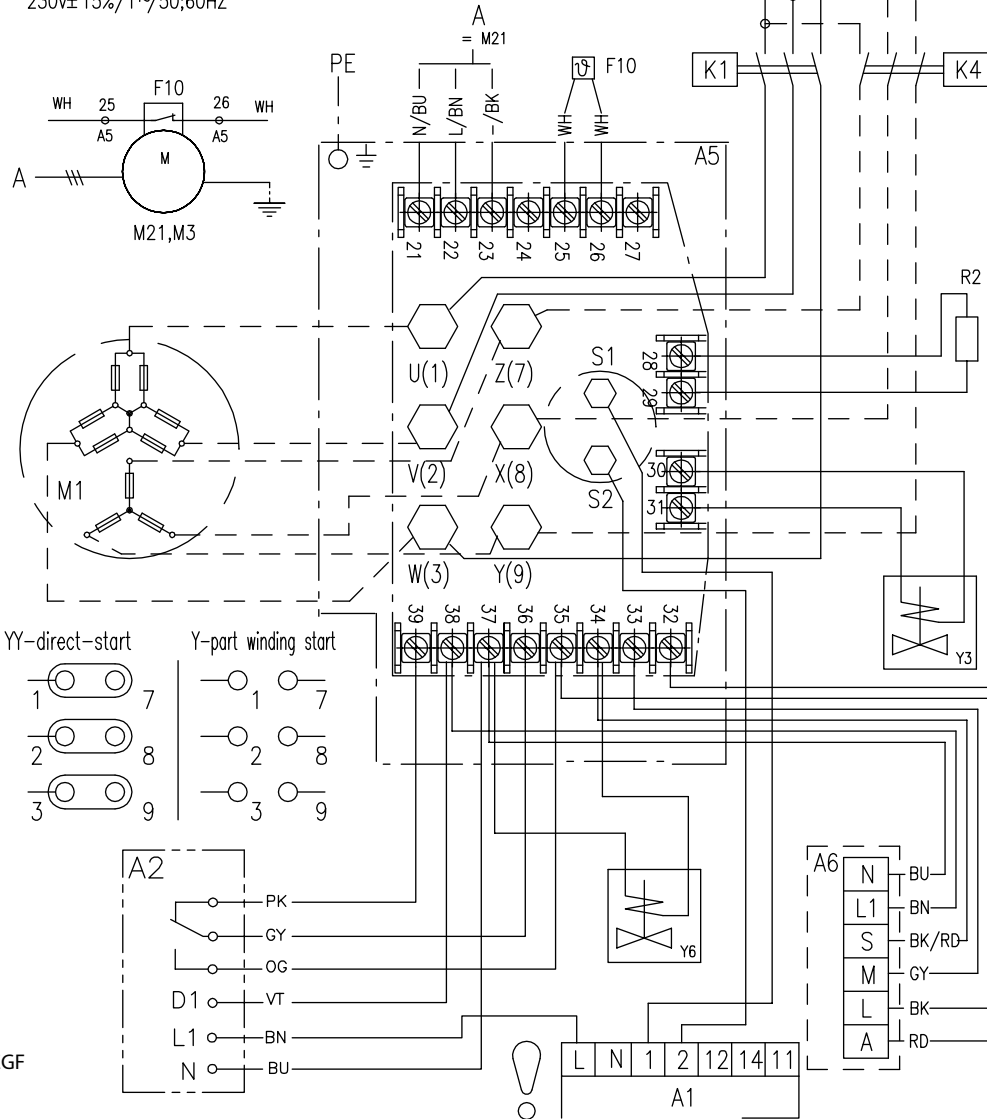
Fans thermoprotected (F10)

Y 400V±15%/3~/50;60HZ  
500V±15%/3~/50HZ

Δ 230V±15%/3~/50;60HZ  
230V±15%/1~/50;60HZ

A5	N	L	-	-	-	N	L1	F10
M21	21	22	23	-	-	21	22	25/26
M3	-	-	-	-	-	-	-	-

K4 only with  
Y-part winding start



Attention !

Compressor equipped with protection by thermistors  
Connect thermistors only at terminals 1+2 of module A1.  
Do not apply mains voltage. See wiring diagram.  
Max. thermistor test voltage 3V.  
Cold resistance of thermistors  $\leq 750 \Omega$