

Application Guidelines

Copeland Scroll™ Compressors for Air Conditioning

ZR18K* to ZR380K*, ZP24K* to ZP485K*



COPELAND SCROLL™


EMERSON™

About these guidelines	1
1 Safety instructions	1
1.1 Icon explanation	1
1.2 Safety statements	1
1.3 General instructions	2
2 Product description	3
2.1 General information about Copeland Scroll™ compressors	3
2.2 Nomenclature	3
2.3 Application range	3
2.3.1 <i>Qualified refrigerants and oils</i>	3
2.3.2 <i>Application limits</i>	4
2.4 Dimensions	4
3 Installation	5
3.1 Compressor handling	5
3.1.1 <i>Transport and storage</i>	5
3.1.2 <i>Positioning and securing</i>	5
3.1.3 <i>Installation location</i>	5
3.1.4 <i>Mounting parts</i>	5
3.2 Brazing procedure	6
3.3 Shut-off valves and adaptors	7
3.4 Accumulators	8
3.5 System screens and mechanical strainer	9
3.6 Mufflers	9
3.7 Reversing valves	9
3.8 Suction line noise and vibration	9
4 Electrical connection	11
4.1 General recommendations	11
4.2 Electrical installation	11
4.2.1 <i>Terminal box</i>	15
4.2.2 <i>Motor winding</i>	16
4.2.3 <i>Protection devices</i>	16
4.2.4 <i>Crankcase heaters</i>	17
4.2.5 <i>Soft starters</i>	17
4.3 Pressure safety controls	18
4.3.1 <i>High-pressure protection</i>	18
4.3.2 <i>Low-pressure protection</i>	18
4.3.3 <i>Internal pressure relief valve</i>	19
4.3.4 <i>Discharge check valve</i>	19
4.3.5 <i>Variable Volume Ratio or VVR discharge valve</i>	19
4.4 CoreSense™ Communications module	19

4.5	Scroll temperature protection.....	20
4.5.1	Internal thermo-disc.....	20
4.5.2	Advanced Scroll Temperature Protection (ASTP)	20
4.5.3	Temperature protection with Kriwan module.....	21
4.6	Motor protection	21
4.6.1	Internal line break motor protection.....	21
4.6.2	External protection	21
4.6.3	Kriwan module.....	21
4.7	Kriwan protector functional check and failure detection	22
4.7.1	Checking the connection.....	23
4.7.2	Checking the compressor thermistor chain.....	23
4.7.3	Checking the protection module.....	23
4.8	High-potential testing	23
5	Start-up & operation.....	24
5.1	Strength pressure test.....	24
5.2	Tightness/pressure test.....	24
5.3	Preliminary checks – Pre-starting	24
5.4	Charging procedure	24
5.5	Initial start-up	25
5.6	Rotation direction	25
5.7	Starting sound.....	25
5.8	Deep vacuum operation.....	25
5.9	Shell temperature.....	26
5.10	Pumpdown cycle.....	26
5.11	Pump-out cycle	26
5.12	Minimum run time	26
5.13	Shut-off sound.....	26
5.14	Supply frequency and voltage	26
5.15	Oil level	27
6	Maintenance & repair	28
6.1	Exchanging the refrigerant.....	28
6.2	Rotalock valves.....	28
6.3	Replacing a compressor	28
6.3.1	Compressor replacement.....	28
6.3.2	Start-up of a new or replacement compressor.....	28
6.4	Lubrication and oil removal	29
6.5	Oil additives	29
6.6	Unbrazing system components	29
7	Dismantling & disposal.....	30
	DISCLAIMER	30

About these guidelines

The purpose of these guidelines is to provide guidance in the application of Copeland Scroll™ compressors in users' systems. They are intended to answer the questions raised while designing, assembling and operating a system with these products.

Besides the support they provide, the instructions listed herein are also critical for the proper and safe functioning of the compressors. The performance and reliability of the product may be impacted if the product is not used according to these guidelines or is misused.

These application guidelines cover stationary applications only. For mobile applications, please contact the Application Engineering department at Emerson as other considerations may apply.

1 Safety instructions







Copeland Scroll compressors are manufactured according to the latest European and US safety standards. Particular emphasis has been placed on the user's safety.

These compressors are intended for installation in systems according to the EC Machinery Directive MD 2006/42/EC. They may be put to service only if they have been installed in these systems according to instructions and conform to the corresponding provisions of legislation. For relevant standards please refer to the Manufacturers Declaration, available at www.climate.emerson.com/en-gb.

These instructions should be retained throughout the lifetime of the compressor.

You are strongly advised to follow these safety instructions.

1.1 Icon explanation

 <p>WARNING This icon indicates instructions to avoid personal injury and material damage.</p>	 <p>CAUTION This icon indicates instructions to avoid property damage and possible personal injury.</p>
 <p>High voltage This icon indicates operations with a danger of electric shock.</p>	 <p>IMPORTANT This icon indicates instructions to avoid malfunction of the compressor.</p>
 <p>Danger of burning or frostbite This icon indicates operations with a danger of burning or frostbite.</p>	<p>NOTE This word indicates a recommendation for easier operation.</p>
 <p>Explosion hazard This icon indicates operations with a danger of explosion.</p>	

1.2 Safety statements

- Refrigerant compressors must be employed only for their intended use.
- Only qualified and authorized HVAC or refrigeration personnel are permitted to install, commission and maintain this equipment.
- Electrical connections must be made by qualified electrical personnel.
- All valid standards for connecting electrical and refrigeration equipment must be observed.
- The national legislation and regulations regarding personnel protection must be observed.



Use personal safety equipment. Safety goggles, gloves, protective clothing, safety boots and hard hats should be worn where necessary.

1.3 General instructions



WARNING

System breakdown! Personal injuries! Never install a system in the field and leave it unattended when it has no charge, a holding charge, or with the service valves closed without electrically locking out the system.

System breakdown! Personal injuries! Only approved refrigerants and refrigeration oils must be used.



WARNING

High shell temperature! Burning! Do not touch the compressor until it has cooled down. Ensure that other materials in the area of the compressor do not get in touch with it. Lock and mark accessible sections.



CAUTION

Overheating! Bearing damage! Do not operate compressors without refrigerant charge or without being connected to the system.



CAUTION

Contact with POE! Material damage! POE lubricants must be handled carefully and the proper protective equipment (gloves, eye protection, etc.) must be used at all times. POE must not come into contact with any surface or material that it might damage, including without limitation, certain polymers, eg, PVC/CPVC and polycarbonate.



IMPORTANT

Transit damage! Compressor malfunction! Use original packaging. Avoid collisions and tilting.

2 Product description

2.1 General information about Copeland Scroll™ compressors

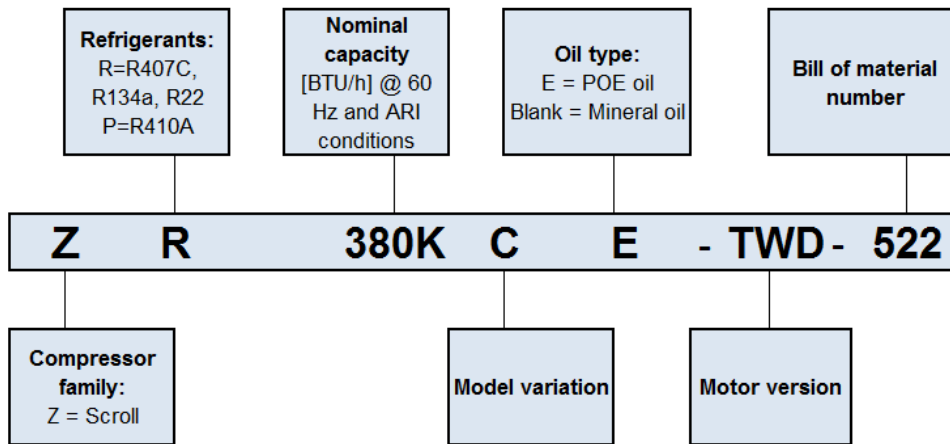
The Scroll compressor has been under development at Emerson since 1979. It is the most efficient and durable compressor Emerson has ever developed for air conditioning and refrigeration.

These application guidelines deal with all vertical single Copeland Scroll compressors for air-conditioning and heat-pump applications, from ZR18K* to ZR380K* and from ZP24K* to ZP485K*.

These compressors have one Scroll compression set driven by a single or three-phase induction motor. The Scroll set is mounted at the upper end of the rotor shaft of the motor. The rotor shaft axis is in the vertical plane.

2.2 Nomenclature

The model designation contains the following technical information about the compressor:

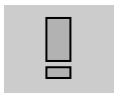


***ARI conditions:**

Evaporating temperature	7.2°C	Liquid sub-cooling	8.3K
Condensing temperature	54.4°C	Ambient temperature.....	35°C
Suction gas superheat.....	11K		

2.3 Application range

2.3.1 Qualified refrigerants and oils



IMPORTANT

It is essential that the glide of refrigerant blends (primarily R407C) be carefully considered when adjusting pressure and superheat controls.

Oil recharge values can be taken from Copeland Scroll compressors brochures or Copeland™ brand products Select software available at www.climate.emerson.com/en-gb.

Qualified refrigerants	R22	R407C, R134a, R22	R410A
Copeland brand products standard oils	White oil Suniso 3 GS	Emkarate RL 32 3MAF	
Servicing oils	Suniso 3 GS White oil	Emkarate RL 32 3MAF	
		Mobil EAL Arctic 22 CC	Mobil EAL Arctic 22 CC (max 50% of total oil charge)

Table 1: Qualified refrigerants and oils

COPELAND SCROLL™

2.3.2 Application limits



CAUTION

Inadequate lubrication! Compressor breakdown! The superheat at the compressor suction inlet must always be sufficient to ensure that no refrigerant droplets enter the compressor. For a typical evaporator-expansion valve configuration a minimum stable superheat of at least 5K is required.

NOTE: Application envelopes for all models can be found in Copeland brand products Select software available at www.climate.emerson.com/en-gb.

2.4 Dimensions

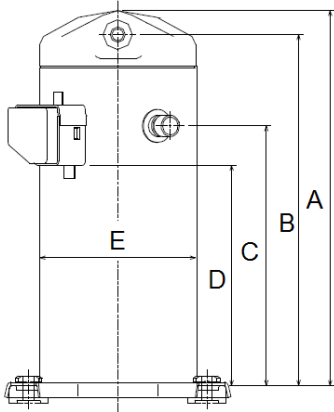


Figure 1: Drawing A

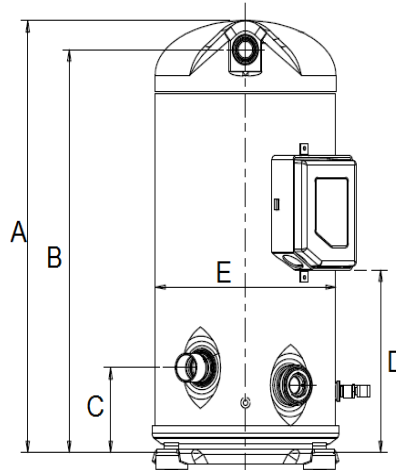


Figure 2: Drawing B

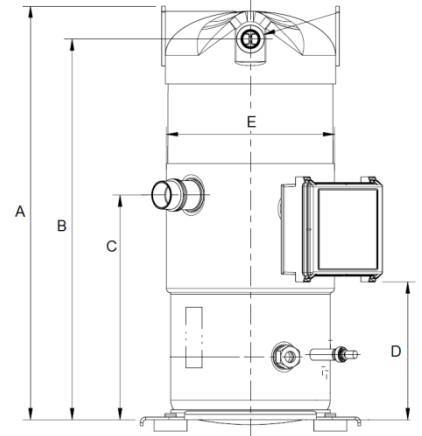


Figure 3: Drawing C

Compressor model	Drawing	A ± 3	B	C ± 3	D ± 3	E	
ZR18K5E	A (Fig.1)	387.4	361.7	256.1	---	Ø 139.6	
ZP24K5E, ZP29K5E, ZP31K5E		385-391	359,3-365,3	260,4-266,4	221,6-227,6		
ZR22K3E, ZR28K3E		363	338.4	244.6	202.4	Ø 165.5	
ZR34K3E		386.5	361	264.5	222.3		
ZR40K3E		400.3	374.8	277.3	235.1		
ZR48K3E		417	391.7	294.2	252		
ZR61K5E		A (Fig.1)	414.2-420.2	388.6-394.6	280.5-286.5	238.9-244.9	Ø 167.1
ZP36K5E, ZP42K5E			415.2-421.2	389.6-395.6	292.1-298.1	250.5-256.5	
ZP54K5E			426.5-432.5	400.3-406.3		221.4-227.4	
ZP61K5E			434.9-440.9	409.8	296.7	230.4-236.4	
ZR61KCE, ZR72KCE		B (Fig. 2)	440.4-446.4	413.9	297.9	231.4-237.4	Ø 185.5
ZR81KCE			440.6-446.2	410.8			
ZP72KCE, ZP83KCE, ZP91KCE			440.6-446.2	410.8			
ZP104KCE, ZP122KCE, ZP143KCE			558.9	526.5			
ZR94KCE	B (Fig. 2)	476.3	444.3	93.6	201.5	Ø 232.2	
ZR108KCE, ZR125KCE, ZR144KCE ZP103KCE, ZP120KCE, ZP137KCE, ZP137KPE		533.1	501.2	122.4	242.8		
ZR160KCE, ZR190KCE, ZP154KCE, ZP182KCE, ZP154KPE, ZP182KPE		551.5	519.5	140.5	181(TW) 261.2(TF)		
ZP232KZE, ZP292KZE		661,5	614,5	439			
ZR250KCE, ZP235KCE	C (Fig. 3)	717.1	667.1	333.5	277	Ø 289	
ZR310KCE, ZR380KCE, ZP295KCE, ZP385KCE, ZP385KPE		715.1	659.7	375.3	273.3	Ø 331	
ZP485KCE, ZP485KPE		746.1	690.7	406.3	304.1		

Table 2: Compressor dimensions and corresponding drawings

3 Installation



WARNING

High pressure! Injury to skin and eyes possible! Be careful when opening connections on a pressurized item.

3.1 Compressor handling

3.1.1 Transport and storage



WARNING

Risk of collapse! Personal injuries! Move compressors only with appropriate mechanical or handling equipment according to weight. Keep in the upright position. Respect stacking loads according to **Figure 4**. Check the tilting stability and if needed take action to ensure the stability of the stacked loads. Keep the packaging dry at all times.

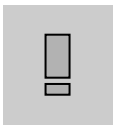


Respect the maximum number of identical packages which may be stacked on one another, where "n" is the limiting number:

- **Transport: n = 1**
- **Storage: n = 2**

Figure 4: Maximum stacking loads for transport and storage

3.1.2 Positioning and securing



IMPORTANT

Handling damage! Compressor malfunction! Only use the lifting eyes whenever the compressor requires positioning. Using discharge or suction connections for lifting may cause damage or leaks.

The compressor should be kept vertical during handling.

The discharge connection plug should be removed first before pulling the suction connection plug to allow the dry air pressure inside the compressor to escape. Pulling the plugs in this sequence prevents oil mist from coating the suction tube making brazing difficult. The copper-coated steel suction tube should be cleaned before brazing.

The plugs must be removed as late as possible before brazing so that the air humidity does not affect the oil characteristics.

For models ZR94K* to ZR190K* and ZP103K* to ZP182K*, as oil might spill out of the suction connection located low on the shell, the suction connection plug must be left in place until the compressor is set into the unit.

No object, eg, a swaging tool should be inserted deeper than 51 mm into the suction tube as it might damage the suction screen and motor.

3.1.3 Installation location

Ensure the compressors are installed on a solid level base. For single compressor applications, the compressor tilt angle during operation should not exceed 15° to allow adequate lubrication. For multiple compressor parallel configurations, the compressors must be positioned completely vertically on a totally horizontal surface or rail.

3.1.4 Mounting parts

The compressors are designed to be mounted on vibration absorber grommets. Four grommets are required for each compressor. They dampen the start-up surge of the compressor and minimise sound and vibration transmission to the compressor base during operation. The metal sleeve inside is a guide designed to hold the grommet in place. It is not designed as a load-bearing member, and application of excessive torque to the bolts can crush the sleeve. Its inner diameter is approximately 8.5 mm to fit, eg, an M8 screw. The mounting torque should be 13 ± 1 Nm. It is critically important that the grommet is not compressed.

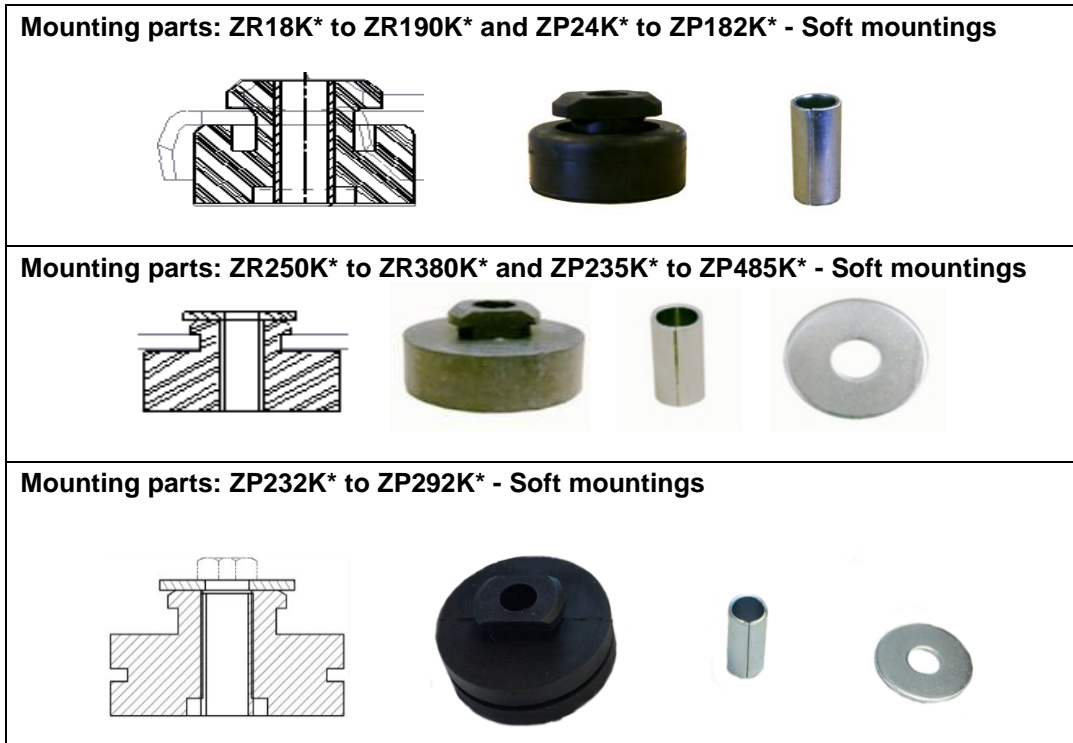


Figure 5: Mounting parts with sleeves and washers

NOTE: For more information please refer to Technical Information C7.11.2 "Scroll Mounting Parts".

NOTE: If the compressors are mounted in tandem or used in parallel, please refer to Technical Information C7.17.2 "Paralleling of Copeland Scroll™ Compressors for Air-Conditioning Applications".

3.2 Brazing procedure

IMPORTANT

Blockage! Compressor breakdown! Maintain a flow of oxygen-free nitrogen through the system at very low pressure during brazing. Nitrogen displaces the air and prevents the formation of copper oxides in the system. If allowed to form, the copper oxide material can later be swept through the system and block screens such as those protecting capillary tubes, thermal expansion valves, and accumulator oil return holes.

Contamination or moisture! Bearing failure! Do not remove the plugs until the compressor is set into the unit. This minimises any entry of contaminants and moisture.

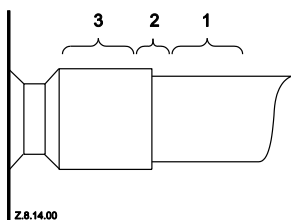


Figure 6: Suction tube brazing

Copeland Scroll compressors have copper-plated steel suction and discharge tubes. These tubes are far more robust and less prone to leaks than copper tubes. Due to the different thermal properties of steel and copper, brazing procedures may have to be changed from those commonly used.

Refer to **Figure 6** and the procedure below for the brazing of the suction and discharge lines to a scroll compressor.

- The copper-coated steel tubes on scroll compressors can be brazed in approximately the same manner as any copper tube.
- Recommended brazing materials: any silfos material is recommended, preferably with a minimum of 5% silver. However, 0% silver is acceptable.
- Be sure tube fitting inner diameter and tube outer diameter are clean prior to assembly.
- Using a double-tipped torch, apply heat in area 1.
- As the tube approaches brazing temperature, move the torch flame to area 2.
- Heat area 2 until braze temperature is attained, moving the torch up and down and rotating around the tube as necessary to heat the tube evenly. Add braze material to the joint while moving the torch around the joint to flow braze material around the circumference.

- After the braze material flows around the joint, move the torch to heat area 3. This will draw the braze material down into the joint. The time spent heating area 3 should be minimal.
- As with any brazed joint, overheating may be detrimental to the final result.

To disconnect:

- Heat joint areas 2 and 3 slowly and uniformly until the braze material softens and the tube can be pulled out of the fitting.

To reconnect:

- Recommended brazing materials: Silfos with minimum 5% silver or silver braze used on other compressors. Due to the different thermal properties of steel and copper, brazing procedures may have to be changed from those commonly used.

NOTE: Since the discharge stub contains a check valve, care must be taken not to overheat it to prevent brazing material from flowing into it.

3.3 Shut-off valves and adaptors



CAUTION

Leaking system! System breakdown! It is strongly recommended to periodically re-torque all pipe and fixing connections to the original setting after the system has been put into operation.

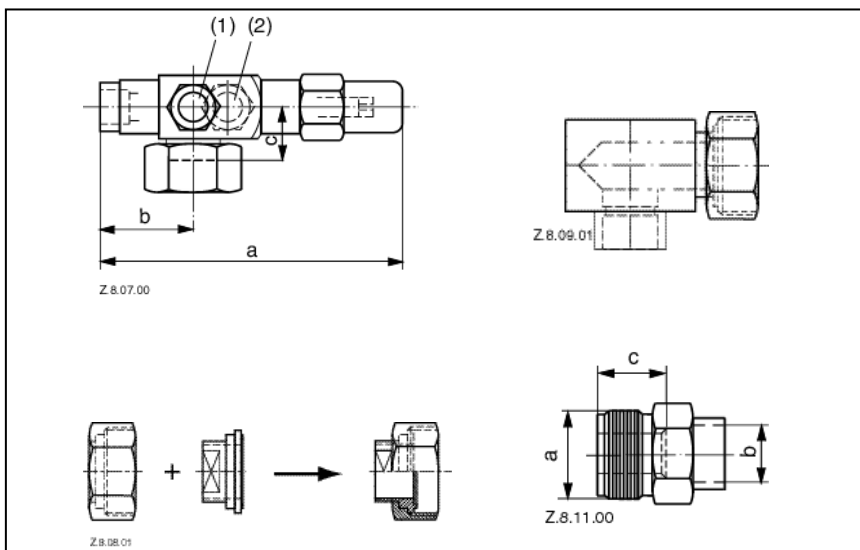


Figure 7: Shut-off valves

Copeland Scroll compressors are delivered with a discharge check valve fitted inside the discharge port and rubber plugs fitted to the suction and discharge ports as standard. There are options to fit either Rotalock valves, or Rotalock adaptors or just make brazing connections.

Braze connections can be converted to Rotalock by means of adaptors. Rotalock shut-off valves are available for the suction as well as discharge sides. Using either straight or angled adaptors provides a way to convert a Rotalock into a brazing connection.

Refer to **Table 3** for proper tightening torques:

Connection	Torque [Nm]
M10	45 - 55
Rotalock ¾"	40 - 50
Rotalock 1 ¼"	100 - 110
Rotalock 1 ¾"	170 - 180
Rotalock 2 ¼"	190 - 200
Sight glass external 1 ¾"	71 - 88
Sight glass fitting TPTL	34 - 41
Mounting bolts 5/16", M9	27 max
Terminal block screw	2.8

Table 3

NOTE: More information about adaptors and shut-off valves can be found in the "Spare parts list".

3.4 Accumulators



CAUTION

Inadequate lubrication! Bearing destruction! Minimise liquid refrigerant returning to the compressor. Too much refrigerant dilutes the oil. Liquid refrigerant can wash the oil off the bearings leading to overheating and bearing failure.

Due to Copeland Scroll compressors inherent ability to handle liquid refrigerant in flooded start and defrost cycle operation, an accumulator is not required for durability in most systems. However, large volumes of liquid refrigerant repeatedly flooding back to the compressor during normal off cycles, or excessive liquid refrigerant flooding back during defrost or varying loads, can dilute the oil, no matter what the system charge is. As a result, bearings will be inadequately lubricated and wear may occur.

To determine if the accumulator can be removed, dedicated tests must be carried out to ensure that excessive liquid does not flood back to the compressor during defrost or varying loads. The defrost test must be done at an outdoor ambient temperature of around 0°C in a high humidity environment. Liquid floodback must be monitored during reversing valve operation, especially when coming out of defrost. Excessive floodback occurs when the sump temperature drops below the safe operation line shown in **Figure 8** for more than 10 seconds.

If an accumulator must be used, the oil-return orifice should be from 1 to 1.4 mm in diameter for models ZR18K* to ZR81K* and ZP24K* to ZP91K*, and 2.0 mm for models ZR94K* to ZR380K* and ZP103K* to ZP485K*, depending on compressor size and compressor floodback results. A large-area protective screen no finer than 30 x 30 mesh (0.6 mm openings) is required to protect this small orifice from plugging with system debris. Tests have shown that a small screen with a fine mesh can easily become plugged causing oil starvation to the compressor bearings.

The size of the accumulator depends upon the operating range of the system and the amount of subcooling and subsequent head pressure allowed by the refrigerant control. System modelling indicates that heat pumps/reversible heat pumps operating down to and below -18°C will require an accumulator that can hold around 70% to 75% of the system charge.

The behaviour of the accumulator and its ability to prevent liquid slugging and subsequent oil pump-out at the beginning and end of the defrost cycle should be assessed during system development. This will require special accumulators and compressors with sight tubes and/or sight glasses for monitoring refrigerant and oil levels.

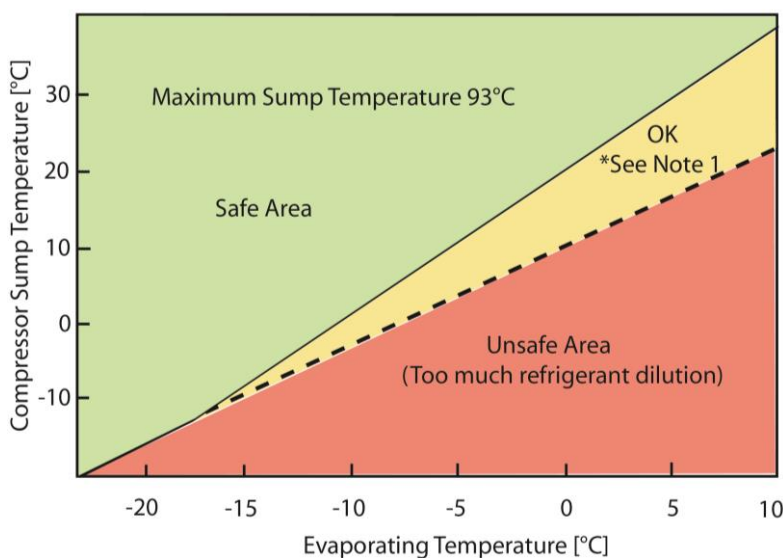


Figure 8: Dilution chart for transient operation (tb = bottom shell temperature; te = evaporating temperature)

3.5 System screens and mechanical strainer



CAUTION

Screen blocking! Compressor breakdown! Use screens with at least 0.6 mm openings.

The use of screens finer than 30 x 30 mesh (0.6 mm openings) anywhere in the system should be avoided with these compressors. Field experience has shown that finer mesh screens used to protect thermal expansion valves, capillary tubes or accumulators can become temporarily or permanently plugged with normal system debris and block the flow of either oil or refrigerant to the compressor. Such blockage can result in compressor failure.

3.6 Mufflers

External mufflers, normally applied to piston compressors in the past, may not be required for Copeland Scroll compressors.

Individual system tests should be performed to verify acceptability of sound performance. If adequate attenuation is not achieved, use a muffler with a larger cross-sectional area to inlet area ratio. A ratio of 20:1 to 30:1 is recommended.

A hollow shell muffler will work quite well. Locate the muffler at minimum 15 to maximum 45 cm from the compressor for the most effective operation. The farther the muffler is placed from the compressor within this range, the more effective. Choose a muffler with a length of 10 to 15 cm.

3.7 Reversing valves

Since Copeland Scroll compressors have a very high volumetric efficiency, their displacements are lower than those of comparable capacity reciprocating compressors.

Caution: Reversing valve sizing must be within the guidelines of the valve manufacturer. The pressure drop required to ensure valve shifting must be measured throughout the operating range of the unit and compared to the valve manufacturer's data. Low ambient heating conditions with low flow rates and low pressure drop across the valve can result in a valve not shifting. This can result in a condition where the compressor appears not to be pumping, ie, balanced pressures. It can also result in elevated compressor sound levels.

During a defrost cycle, when the reversing valve abruptly changes the refrigerant flow direction, the suction and discharge pressures will go outside of the normal operating envelope. The sound that the compressor makes during this transition period is normal, and the duration of the sound will depend on the coil volume, outdoor ambient, and system charge level. The preferred method of mitigating defrost sound is to shut down the compressor for 20 to 30 seconds when the reversing valve changes position going into and coming out of the defrost cycle. This technique allows the system pressures to reach equilibrium without the compressor running. The additional start-stop cycles do not exceed the compressor design limits, but suction and discharge tubing design and contactor life should be evaluated.

The reversing valve solenoid should be wired so that the valve does not reverse when the system is shut off by the operating thermostat in the heating or cooling mode. If the valve is allowed to reverse at system shut-off, suction and discharge pressures are reversed to the compressor. This results in pressures equalizing through the compressor which can cause the compressor to slowly rotate backwards until the pressures equalize. This condition does not affect compressor durability but can cause unexpected sound after the compressor is turned off.

3.8 Suction line noise and vibration

Copeland Scroll compressors inherently have low sound and vibration characteristics. However, in some respects, the sound and vibration characteristics differ from reciprocating compressors and in rare instances could result in unexpected sound generation. One difference is that the vibration characteristic of the Scroll compressor, although low, includes two very close frequencies, one of which is normally isolated from the shell by the suspension of an internally-suspended compressor. These frequencies, which are present in all compressors, may result in a low-level "beat" frequency that can be detected as noise coming along the suction line into the building under some conditions. Elimination of the beat can be achieved by attenuating either of the contributing frequencies. This is easily done by using one of the common combinations of recommended design configurations. The scroll compressor makes both a rocking and twisting motion and enough flexibility must be provided in the line to prevent vibration transmission into any lines attached to the unit. In a split system, the most important goal is to ensure minimal vibration in all

COPELAND SCROLL™

directions at the service valve to avoid transmitting vibrations to the structure to which the lines are fastened.

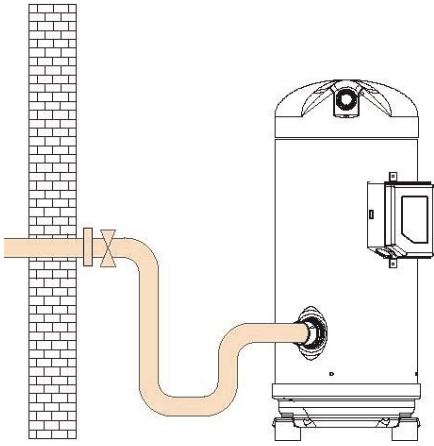


Figure 9: Suction tube design

A second difference of the Copeland Scroll is that under some conditions the normal rotational starting motion of the compressor can transmit an "impact" noise along the suction line. This may be particularly pronounced in three-phase models due to their inherently higher starting torque. This phenomenon, like the one described previously, also results from the lack of internal suspension and can be easily avoided by using standard suction line isolation techniques as described below. The sound phenomena described above are not usually associated with reversible heat pump systems because of the isolation and attenuation provided by the reversing valve and tubing bends.

Recommended configuration

- Tubing configuration:small shock loop
- Service valve: "angled" valve fastened to unit / wall
- Suction muffler:not required

Alternative configuration

- Tubing configuration:small shock loop
- Service valve: "straight through" valve fastened to unit / wall
- Suction muffler:may be required (acts as dampening mass)

4 Electrical connection

4.1 General recommendations

The compressor terminal box has a wiring diagram on the inside of its cover. Before connecting the compressor, ensure the supply voltage, the phases and the frequency match the nameplate data.

4.2 Electrical installation

The recommended wiring diagrams are shown in figures hereunder.

Single-phase (PF*) compressors:

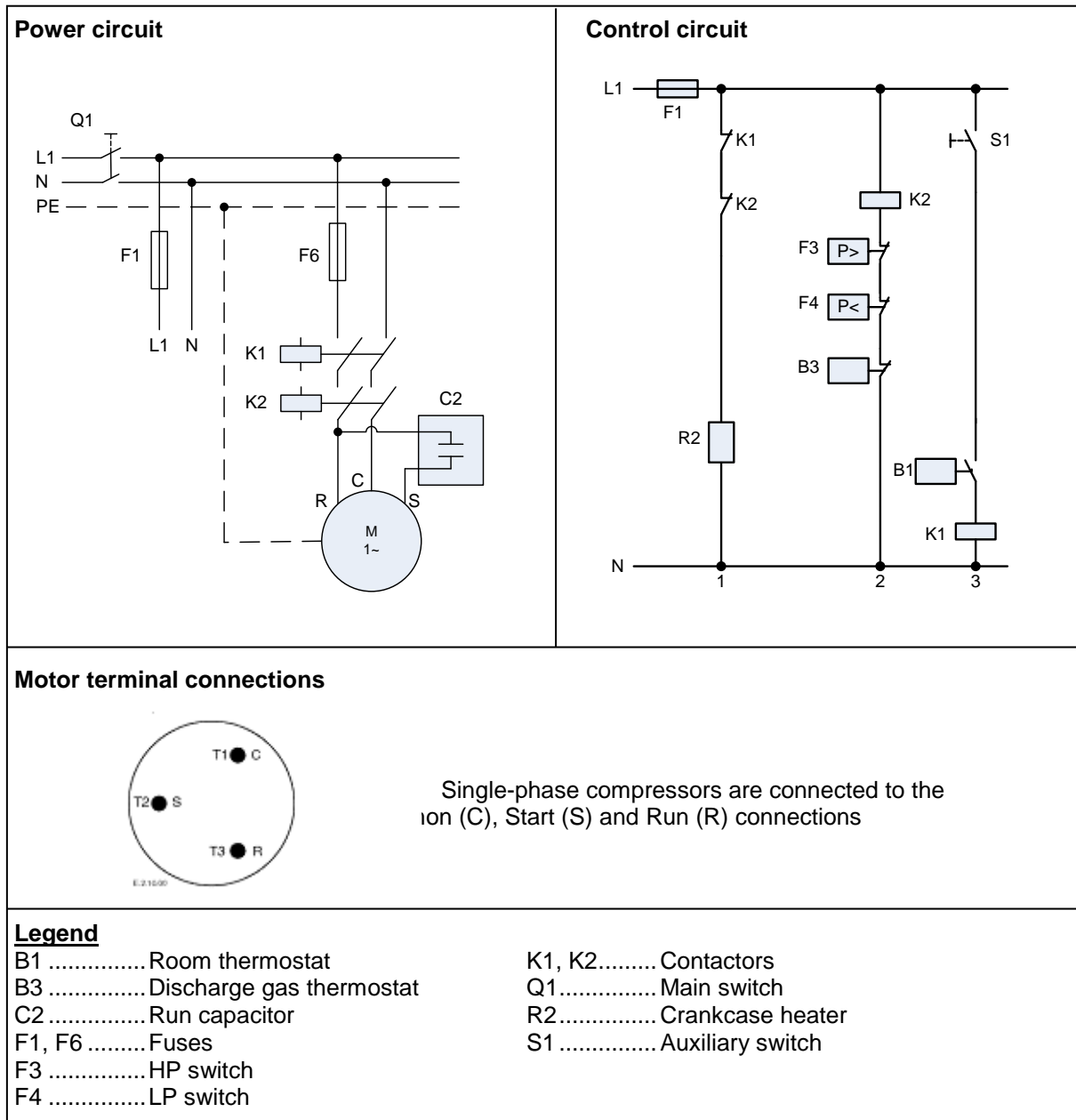


Figure 10: Wiring diagrams for single-phase compressors

Three-phase compressors (TF*) with internal motor protection:

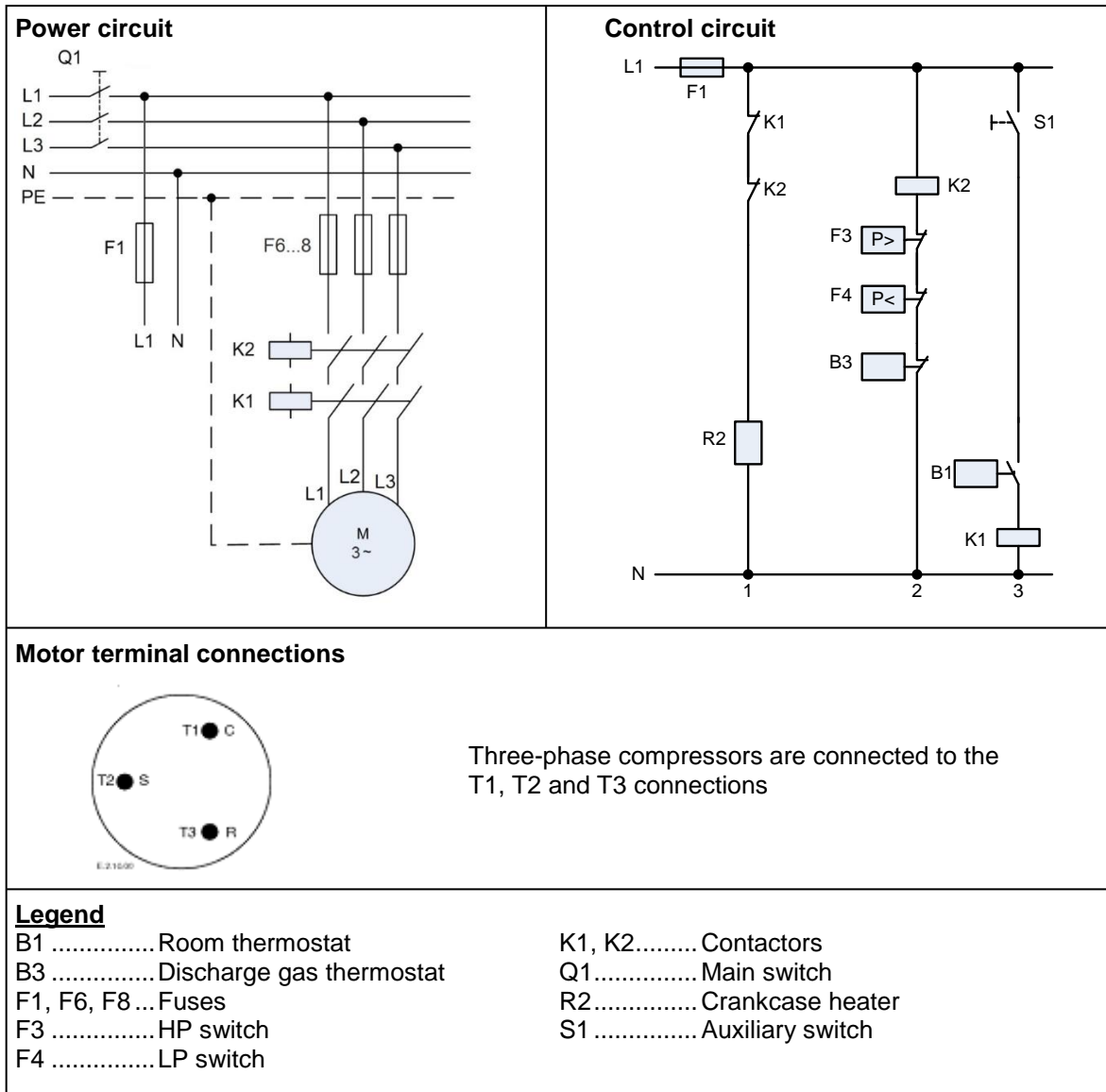


Figure 11: Wiring diagrams for three-phase compressors with internal motor protection

Three-phase compressors (TW*) with external motor protection INT69SC2:

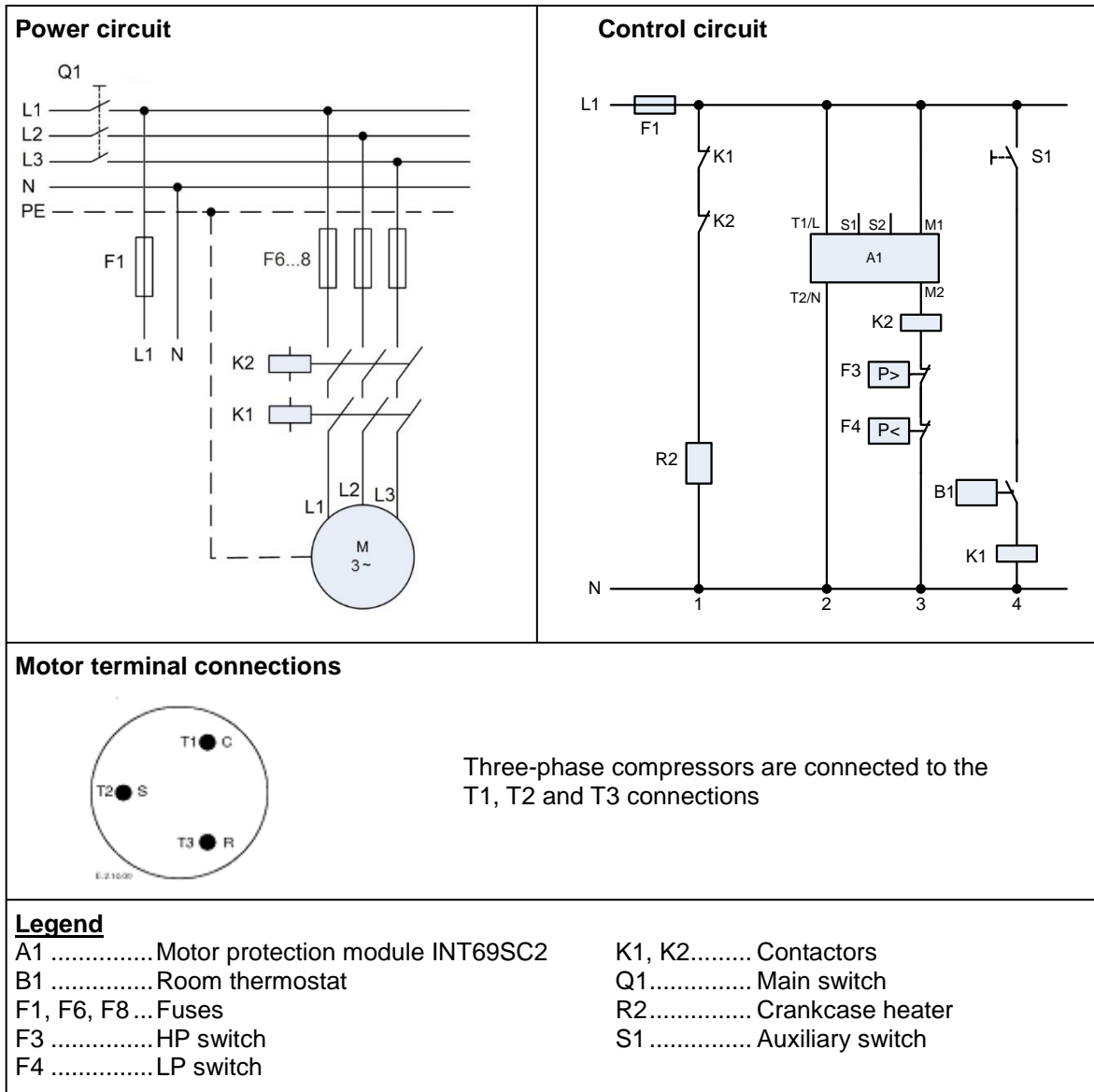


Figure 12: Wiring diagrams for three-phase compressors with Kriwan motor protection

Three-phase compressors (TE*) with external motor protection CoreSense™ Communications module (Compressors ZP232K* to ZP292K*):

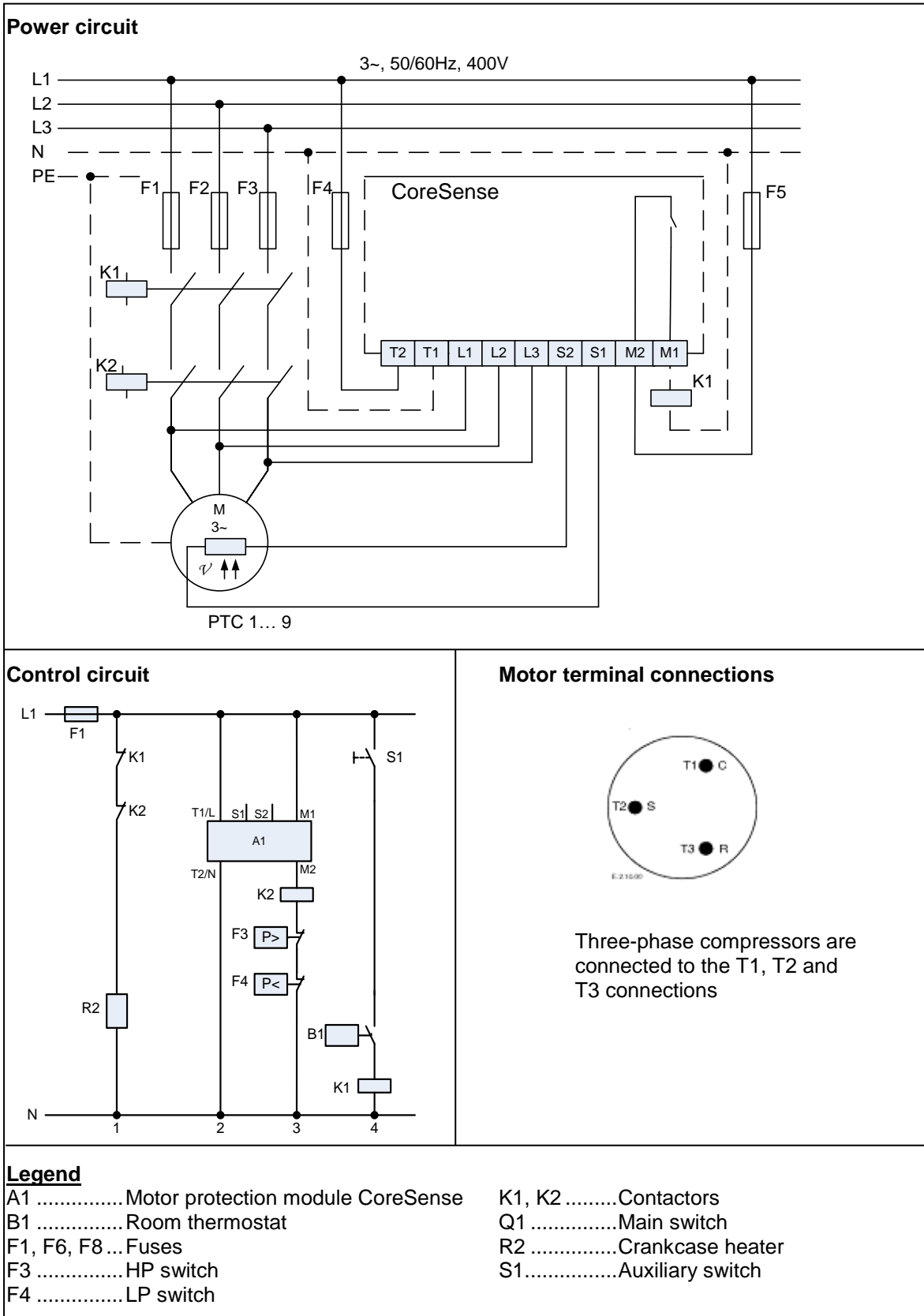


Figure 13: Wiring diagrams for three-phase compressors with CoreSense Communications module

4.2.1 Terminal box

The standard terminal box is IP21 for all models with internal motor protection (TF*/PF*) and IP54 for all models with external motor protection (TW*, TE*), enclosure class according to IEC 60034-5. Cable glands have an influence on the protection class of the terminal box. It is strongly recommended to use appropriate cable glands in order to reach the rated protection class. Emerson recommends that installers/service providers pay attention to this aspect and use cable glands according to EN standards or any other relevant standard of application in their country/region every time they install or replace a Scroll compressor. **Figures 14 to 16** show examples of correct electrical installations.



Figure 14: Terminal box IP21 and correct electrical installation with cable glands

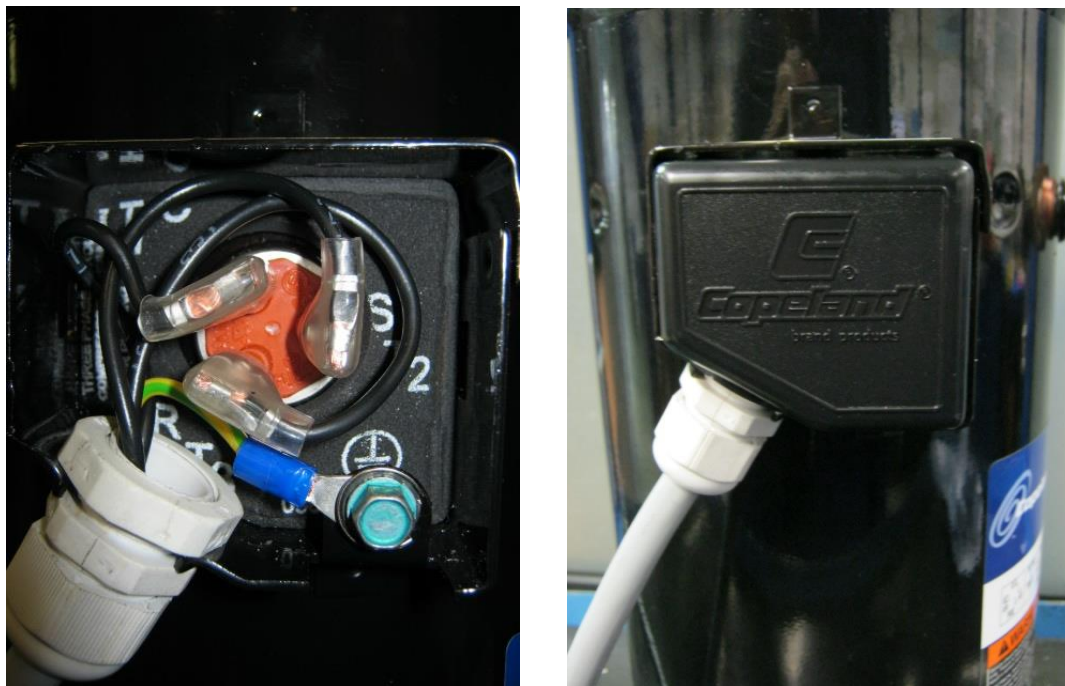


Figure 15: ZP24K* terminal box IP21 and correct electrical installation with cable glands

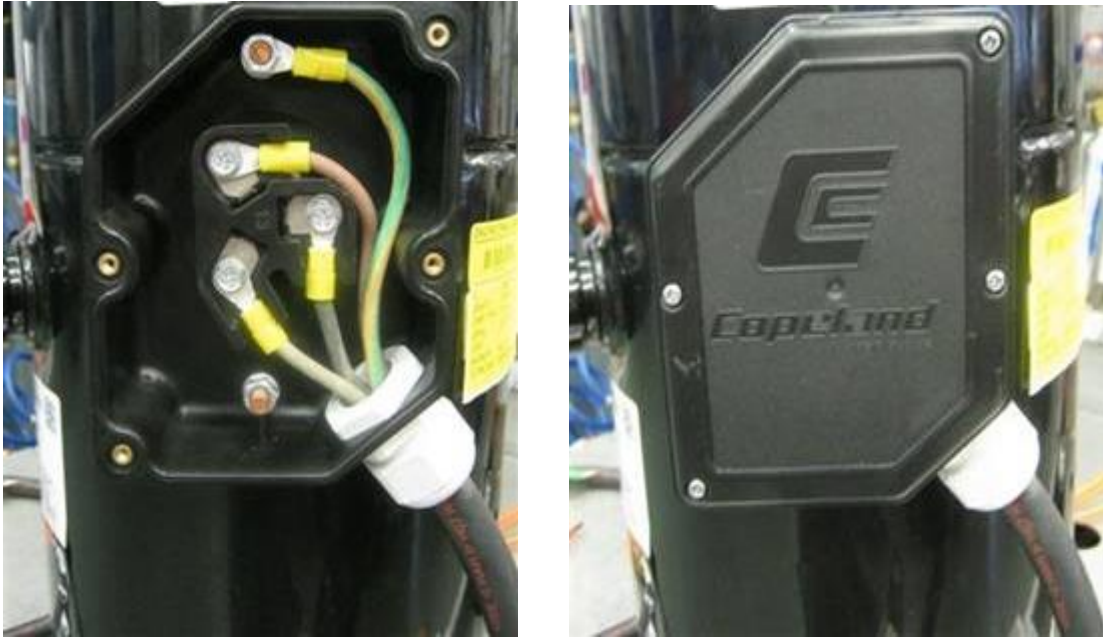


Figure 16: Terminal box IP54 and correct electrical installation with cable glands

Examples of correct electrical installation for compressor models ZR94K* to ZR190K* and ZP90K* to ZP182K* with molded plug, are shown in **Figure 17**:



Figure 17: Terminal box IP66 and correct electrical installation with cable glands

4.2.2 Motor winding

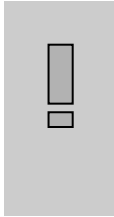
The ZR/ZP Scroll compressors are offered either with a single-phase or a three-phase induction motor, depending on the size. All three-phase motors are connected in star; single-phase motors need a run capacitor.

The motor insulation material is class "B" (TF*) or "H" (TW*, TE*) for the compressor models covered in these guidelines.

4.2.3 Protection devices

Independently from the internal motor protection, fuses must be installed before the compressor. The installer must select the fuses according to EN standards or any other relevant standard of application in their country/region.

4.2.4 Crankcase heaters



IMPORTANT

Overheating and burnout! Compressor damage! Never apply power to the crankcase heater in free air, before the crankcase heater is installed on the compressor or when it is not in complete contact with the compressor shell.

Oil dilution! Bearing malfunction! Turn the crankcase heater on 12 hours before starting the compressor.

A crankcase heater is required when the system charge exceeds the compressor charge limits listed in **Table 4**. This requirement is independent from system type and configuration.

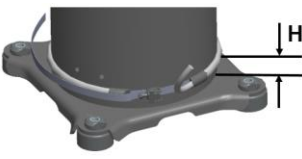
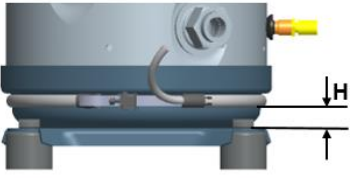


Compressor model		Refrigerant charge limit	Crankcase heater	
			Position	Height in mm
ZR18K5E	ZP24K5E to ZP31K5E	2.7 kg		5 to 31
ZR22K3E to ZR48K3E ZR61K5E	ZP23K3E to ZP41K3E ZP36K5E to ZP61K5E	4.5 kg		5 to 12
ZR61KCE, ZR72KCE, ZR81KCE	ZP61KCE, ZP72KCE, ZP83KCE, ZP91KCE, ZP104KCE, ZP122KCE, ZP143KCE	4.5 kg		9.5 to 41
ZR94KCE, ZR108KCE, ZR125KCE, ZR144KCE	ZP90KCE, ZP103KCE, ZP120KCE, ZP137K*E	7.0 kg		14 to 24
ZR160KCE, ZR190KCE	ZP154K*E, ZP182K*E	7.0 kg		13 to 18
	ZP232KZE, ZP292KZE	9 kg		10 to 15
ZR250KCE	ZP235KCE	11.3 kg		32 to 50
ZR310KCE, ZR380KCE	ZP295KCE, ZP385K*E	13.6 kg		
	ZP485K*E	16.0 kg		

Table 4: Refrigerant charge limits & crankcase heater position

The initial start-up in the field is a very critical period for any compressor because all load-bearing surfaces are new and require a short break-in period to carry high loads under adverse conditions. **The crankcase heater must be turned on a minimum of 12 hours prior to starting the compressor.** This will prevent oil dilution and bearing stress on initial start-up. **The crankcase heater must remain energized during compressor off cycles.**

For proper installation of the crankcase heater, tighten the clamp screw carefully, ensuring that the heater is uniformly tensioned along its entire length and that the circumference of the heater element is in complete contact with the compressor shell. It is important that the clamp screw is torqued to the range of 2.3-8 Nm to ensure adequate contact and to prevent burnout.

Caution: Crankcase heaters must be properly grounded!

4.2.5 Soft starters

Soft starters can be used with 20 to 40 hp Scroll compressors to reduce inrush current. Soft starters should be selected according to the soft starter manufacturer's recommendations, taking into consideration ambient temperature, number of starts per hour, and compressor amps. The maximum ramp-up time should not exceed 3 seconds.

4.3 Pressure safety controls

4.3.1 High-pressure protection

A high-pressure cut-out control must be used in all applications to avoid abnormally high operating pressures. The maximum cut-out setting should be defined referring the high-side PS according to the requirements of applicable standards and directives.

The high-pressure control should have a manual reset feature for the highest level of system protection.

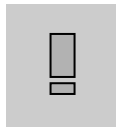
If any type of discharge line shut-off valve is used, the high-pressure control must be installed between the compressor discharge fitting and the valve.

Various international standards and directives require a system pressure relief valve depending on the compressor displacement.

Compressor	High-side PS
From ZP24K* to ZP91K*	43 bar
ZP90K*	45 bar
From ZP103K* to ZP485K*	45 bar
From ZR22K* to ZR81K*	29.5 bar
From ZR94K* to ZR380K*	32 bar

Table 5: High-side PS as per Select software

4.3.2 Low-pressure protection



IMPORTANT

Loss of system charge and lubrication! Bearing malfunction! Compressor breakdown! A low-pressure control is highly recommended. Do not bridge or by-pass the low-pressure cut out.

Even though ZR/ZP compressors have an internal discharge temperature protection, loss of system charge etc. will result in overheating and recycling of the motor protector. Prolonged operation in this manner could result in oil pump-out and eventual bearing failure.

Normally, the low-pressure cut-out setting should be within the approved operating envelope of the compressor considering the refrigerant used.

For air-conditioning applications with R410A, a cut-out setting not lower than 4.4 bar(g) is recommended.

For heat pump applications with R410A, a cut-out setting not lower than 2 bar(g) is recommended. Operation near a saturated suction temperature of -28°C is outside the approved operating envelope of the compressor. However, heat pumps in some geographical areas should operate in this range because of the low ambient temperatures. This is acceptable if the discharge temperature is below 130°C.

These conditions can also be due to temporary suction blockage during reversing valve operation or lack of liquid pressure available to the metering device upon start-up in heating mode.

An alternative is to keep the low-pressure control in the suction line and provide a 60-second maximum low-pressure time delay that ignores a signal from the low-pressure control and allows the compressor to continue operating.

The low-pressure cut-out, if installed in the suction line to the compressor, can provide additional protection against an expansion valve failed in the closed position, outdoor fan failure in heating, a closed liquid line or suction line service valve, or a blocked liquid line screen, filter, orifice, or expansion valve. All of these conditions may starve the compressor for refrigerant and may result in compressor failure.

The low-pressure cut-out should be selected to prevent system failure modes such as coil icing in air conditioning systems and frozen heat exchangers in chiller systems.

The low-pressure cut-out should have a manual reset feature for the highest level of system protection.

4.3.3 Internal pressure relief valve

There is an internal pressure relief valve on all ZR18K* to ZR81K*, ZP24K* to ZP83K*, ZP91K*, ZP104K*, ZP122K* and compressors, which opens at a differential pressure of 28 bar ± 3 bar for ZR compressors and 40 bar ± 3 bar for ZP compressors between high- and low-pressure sides. A high-pressure cut-out may be required according to national regulations and is strongly recommended due to the capabilities of pumping to high pressures once the discharge is obstructed. The internal pressure relief valve is a safety device, not an HP switch. It is not designed for repeated operation and there is no guarantee that it will reset correctly if it does have repeated operation.

The following compressors do NOT have any internal pressure relief valve: ZR94K* to ZR190K* and ZP90K* to ZP182K* (Summit range), ZR250K* to ZR380K* and ZP232K* to ZP292K*, ZP485K*.

4.3.4 Discharge check valve

ZP232K* and ZP292K* compressors use a shutdown check valve located on the muffler plate to prevent the high-side, high-pressure discharge gas from flowing rapidly back through the compressor after shutdown. The leak rate may not be sufficiently low for recycling pumpdown. An external discharge check valve may be necessary for such applications.

4.3.5 Variable Volume Ratio or VVR discharge valve

ZP232K* and 292K* compressors use a Variable Volume Ratio discharge valve. This valve is optimized to increase the seasonal performance with low pressure ratio.

4.4 CoreSense™ Communications module

Compressor models ZP232K* and ZP292K* are equipped with a CoreSense™ Communications module.

The CoreSense Communications module has the following key features:

- Motor protection (PTC)
- Missing phase protection
- Reverse phase protection
- Low control circuit voltage protection
- Short cycling detection and alert
- Communication to system controller through RS485/Modbus
- Storage of operational history, runtime information, fault counters, etc.
- Display of status, warning, and alert information via LEDs

CoreSense Communications provides compressor and system protection through its proprietary lockout feature. Depending on the severity and frequency of the fault that caused the trip condition, the CoreSense Communications module can lockout the compressor contactor to prevent damage to the compressor and system components. Less severe fault conditions resulting in an occasional trip will not cause a lockout condition.

Flashing red and green LEDs communicate **Status**, **Warning** and **Alert** codes to the service technician and the master controller.

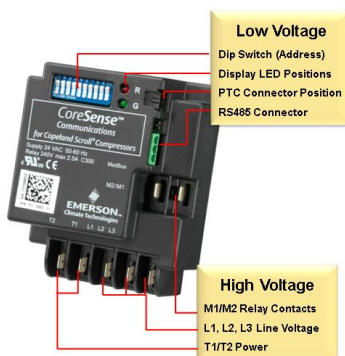


Figure 18: CoreSense Communications module

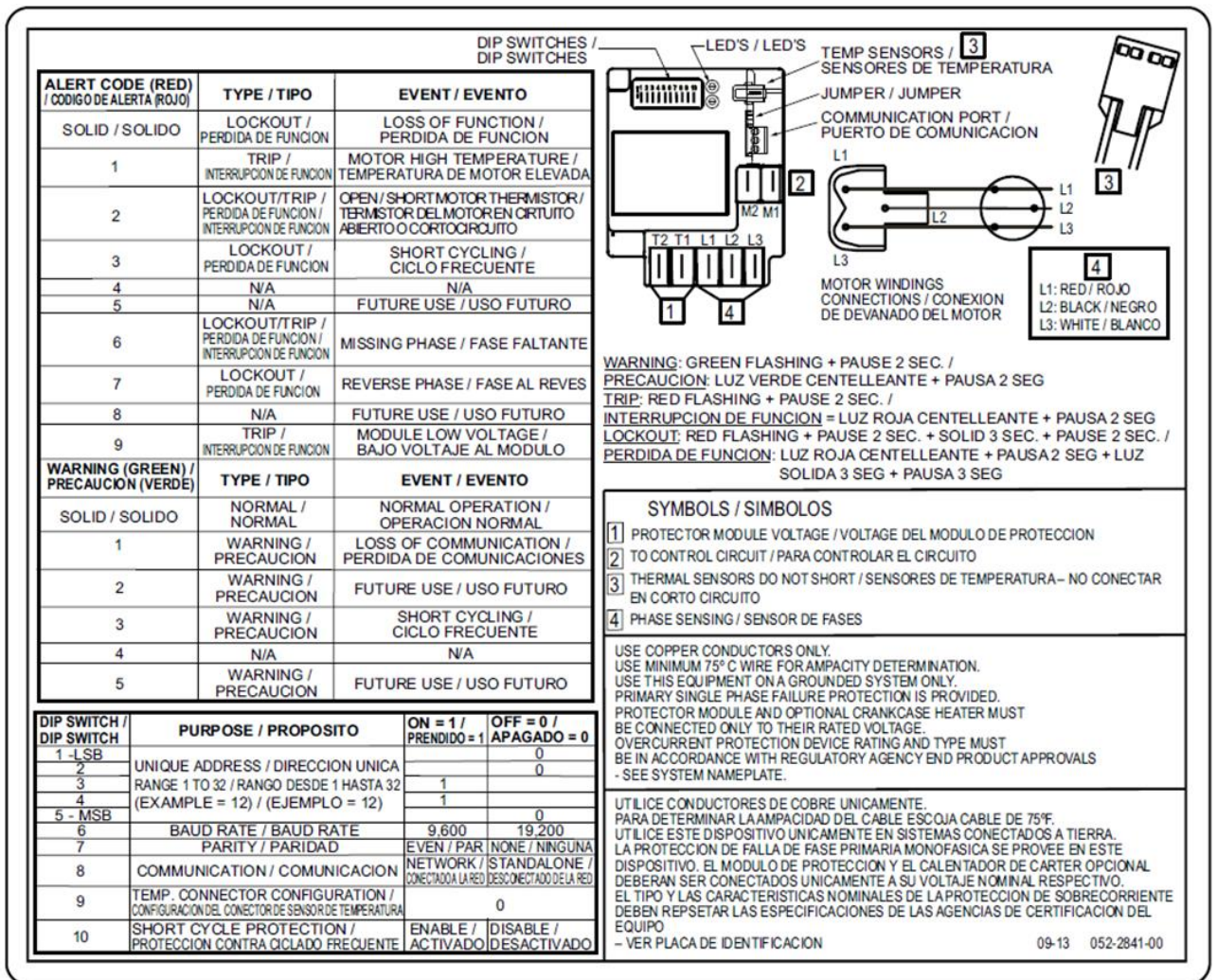


Figure 19: Compressor terminal box wiring with CoreSense protection

NOTE: For more information please refer to Technical Information C070809 "CoreSense™ Communications module for Scroll compressors".

4.5 Scroll temperature protection

4.5.1 Internal thermo-disc

ZR18K* to ZR81K* and ZP24K* to ZP143K* compressors have an internal thermo-disc discharge gas temperature protection. This thermo-disc opens a gas passage from the discharge port to the suction side near the motor protector when the discharged gas reaches a critical temperature. The hot gas then causes the motor protector to trip shutting down the compressor.

4.5.2 Advanced Scroll Temperature Protection (ASTP)

ZR94K* to ZR190K*, ZP90K*, ZP103K* to ZP182K* (Summit range), ZP232K* and ZP292K* (NG LCS range) compressors are equipped with an Advanced Scroll Temperature Protection (ASTP). ASTP is a temperature sensitive thermo-disc that acts to protect the compressor from discharge gas overheating. Once the discharge gas reaches a critical temperature, the ASTP feature will cause the scrolls to separate and stop pumping although the motor continues to run. After running for some time without pumping gas, the motor protector will open.

NOTE: ASTP was developed to protect the compressor, not for system envelope control purposes.

If the system engineer wants to prevent ASTP trips and to limit the maximum compressor discharge temperature to a lower value, a discharge sensor can be used. The recommended setpoint is 120°C. This value should be determined and verified according to the application. Any protector attached to the discharge line must be well insulated with good quality material that will last for the unit lifetime.

A label has been added above the terminal box to identify compressors with Advanced Scroll Temperature Protection.



Figure 20: Advanced Scroll Temperature Protection (ASTP)

NOTE: Depending on the heat build-up in the compressor, it may take more than one hour for the ASTP and motor protector to reset.

4.5.3 Temperature protection with Kriwan module

For compressors ZR250K* to ZR380K*, ZP235K*, ZP295K*, ZP385K* and ZP485K*, a thermistor (PTC) is located in the discharge port of the fixed scroll. Excessive discharge temperature will cause the electronic protector module to trip. The discharge gas thermistor is wired in series with the motor thermistor chain.

4.6 Motor protection

4.6.1 Internal line break motor protection

For the ZR18K* to ZR190K* and ZP24K* to ZP182K* range of compressors, conventional inherent internal line break motor protection is provided.

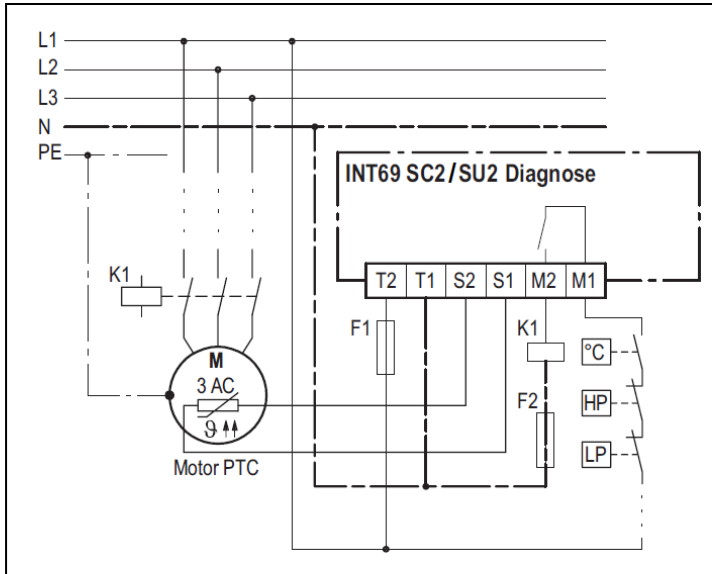
4.6.2 External protection

The electronic motor protection system used in all ZR250K* to ZR380K* and ZP235K* to ZP485K* models is identified by a "W" as the centre letter in the motor code. This system utilizes the temperature-dependent resistance of the thermistors (also called PTC-resistance) to read the winding temperature. A chain of four thermistors connected in series is embedded in the motor windings so that the temperature of the thermistors can follow the winding temperature with little inertia. An electronic module is required to process the resistance values and trip a control depending on the thermistor resistance.

4.6.3 Kriwan module

For protection in case of blocked rotor one thermistor for each phase is embedded in the winding heads on the upper (suction gas) side of the compressor motor. A fourth thermistor is located in a winding head at the lower end of the motor. A fifth sensor is located in the discharge port of the fixed scroll to control discharge-gas superheat. The entire chain is internally led to the fusite from where it is connected to the module connections S1 and S2. When any resistance of the thermistor chain reaches the tripping value, the module interrupts the control line and causes the compressor to switch off. After the thermistor has cooled sufficiently, its resistance drops to the reset value but the module itself resets after a time delay of 30 minutes and restarts the compressor.

Control circuit wiring



L1/T1 neutral connection
L2/T2 line voltage connection
S1, S2 thermistor chain connection
M1, M2 control circuit connection

Figure 21: Wiring of the motor protection module



IMPORTANT

Different sources for power supply and contact M1-M2! Module malfunction! Use the same potential for power supply and the switch contact of the control loop (M1-M2).

Supply voltage: Dual voltage	115-230V AC 50 Hz, -15%...+10%, 3VA
	120-240V AC 60 Hz, -15%...+10%, 3VA
Supply voltage	24V AC 50/60 Hz, -15%...+10%, 3VA
	24V DC \pm 20%, 2W
Ambient temperature range	-30...+70°C
R ₂₅ , total	< 1,8kΩ
Trip resistance	4.50kΩ \pm 20%
Reset time delay type 1 / type 2	30 min \pm 5 min / 60 min \pm 5 min
Reset of running time	Power interruption / mains failure for approximately 5 seconds
Short circuit monitoring system	Typically < 30Ω
Protection class according to EN 60529	IP00
Weight	Approximately 200 g
Mounting	Screw in or snap in
Housing material	PA66 GF25 FR

Table 6: Protection module specifications INT69SC2

4.7 Kriwan protector functional check and failure detection



WARNING

Conductor cables! Electrical shock! Shut off power supply before and between each test.

Prior to start-up of the fully connected compressor a functional check shall be carried out:

- Disconnect one terminal either S1 or S2 of the protection module. If the compressor is now switched on, the motor should not start (simulation of an open thermistor chain).
- Reconnect the disconnected thermistor line. If the compressor is now switched on, the motor must start.

If the motor does not start up during the functional check, this indicates a disturbance in operation. The following steps should be followed:

4.7.1 Checking the connection

- Check the connection of the thermistor leads in the terminal box and at the protection module for possible loose connections or cable breakage.

If there is neither loose connection nor cable breakage the resistance of the thermistor chain must be checked.

4.7.2 Checking the compressor thermistor chain

Caution: Use maximum measuring voltage of 3V!

The thermistor leads at terminals S1 and S2 of the module shall be disconnected and the resistance measured between the leads. The resistance must be between 150 Ω and 1250 Ω.

- If the thermistor chain has a higher resistance (2750 Ω or higher), the motor temperature is still too high and it must be allowed to cool. Then measure again.
- If the resistance is below 30 Ω, the compressor has to be exchanged due to shorted sensor circuit.
- An infinite value indicates an open sensor circuit and the compressor has to be replaced.

If no defect is detected in the thermistor chain the module must be checked.

4.7.3 Checking the protection module

The control connections at M1 and M2 have to be removed and the switching conditions must be checked by an ohmmeter or signal buzzer:

- Simulation of a short circuit in the thermistor chain (0 Ω): Bridge the already disconnected thermistor terminals S1 and S2 and switch on the voltage supply; the relay must switch on then off again after a short period; connection established then interrupted between terminals M1 and M2.
- Simulation of an open thermistor chain (∞ Ω): Remove the jumper used for the short-circuit simulation and switch on the voltage supply; the relay remains switched off; no connection between terminals M1 and M2.

If one of the above conditions is not met, the module is defective and has to be exchanged.

NOTE: The function of the module should be tested each time the fuse in the control circuit breaks the power supply. This ensures the contacts did not stick.

4.8 High-potential testing



WARNING

Conductor cables! Electrical shock! Shut off power supply before high-potential testing.



CAUTION

Internal arcing! Motor destruction! Do not carry out high-voltage or insulation tests if the compressor housing is under vacuum.

Emerson subjects all Scroll compressors to a high-voltage test after final assembly. Each motor phase winding is tested, according to EN 0530 or VDE 0530 part 1, at a differential voltage of 1000V plus twice the nominal voltage. Since high-voltage tests lead to premature ageing of the winding insulation additional tests of that nature are not recommended.

If it has to be done for any reason, a lower voltage must be used. Disconnect all electronic devices, eg, motor protection module, fan speed control, etc prior to testing.

5 Start-up & operation



WARNING

Diesel effect! Compressor destruction! The mixture of air and oil at high temperature can lead to an explosion. Avoid operating with air.

5.1 Strength pressure test

The compressor has been strength-tested in the factory. It is not necessary for the customer to strength- or leak-test the compressor again although the compressor will normally be exposed to the testing made as part of system testing.

5.2 Tightness/pressure test



WARNING

High pressure! Personal injuries! Consider personal safety requirements and refer to test pressures prior to test.



WARNING

System explosion! Personal injuries! DO NOT USE other industrial gases.



CAUTION

System contamination! Bearing malfunction! Use only dry nitrogen or dried air for pressure testing.

If using dry air do not include the compressor in the pressure test – isolate it first. Never add refrigerant to the test gas (as leak indicator).

5.3 Preliminary checks – Pre-starting

Discuss details of the installation with the installer. If possible, obtain drawings, wiring diagrams, etc. It is ideal to use a check-list but always check the following:

- Visual check of the electrics, wiring, fuses etc.
- Visual check of the plant for leaks, loose fittings such as TXV bulbs etc.
- Compressor oil level
- Calibration of HP & LP switches and any pressure actuated valves
- Check setting and operation of all safety features and protection devices
- All valves in the correct running position
- Pressure and compound gauges fitted
- Correctly charged with refrigerant
- Compressor electrical isolator location & position

5.4 Charging procedure



CAUTION

Low suction pressure operation! Compressor damage! Do not operate with a restricted suction. Do not operate with the low-pressure cut-out bridged. Do not operate compressor without enough system charge to maintain at least 0.5 bar suction pressure. Allowing pressure to drop below 0.5 bar for more than a few seconds may overheat scrolls and cause early drive bearing damage.

The system should be liquid-charged through the liquid-receiver shut-off valve or through a valve in the liquid line. The use of a filter drier in the charging line is highly recommended. Because R410A and R407C are blends and scrolls have discharge check valves, the system should be liquid-charged on both the high and low sides simultaneously to ensure a positive refrigerant pressure is present in the compressor before it runs. The majority of the charge should be placed in the high side of the system to prevent bearing washout during first-time start on the assembly line.

5.5 Initial start-up



CAUTION

Oil dilution! Bearing malfunction! It is important to ensure that new compressors are not subjected to liquid abuse. Turn the crankcase heater on 12 hours before starting the compressor.



CAUTION

High discharge pressure operation! Compressor damage! Do not use compressor to test opening setpoint of high-pressure cut-out. Bearings are susceptible to damage before they have had several hours of normal running in.

Liquid and high-pressure loads could be detrimental to new bearings. It is therefore important to ensure that new compressors are not subjected to liquid abuse and high-pressure run tests. It is not good practice to use the compressor to test the high-pressure switch function on the production line. Switch function can be tested with nitrogen prior to installation and wiring can be checked by disconnecting the high-pressure switch during the run test.

5.6 Rotation direction

Scroll compressors, like several other types of compressors, will only compress in one rotational direction. Direction of rotation is not an issue with single-phase compressors since they will always start and run in the proper direction. Compressor models ZP232K* and ZP292K* have an electronic protection unit (CoreSense Communications module) that will not let the compressor operate if the phasing of the wires is incorrect. All other three-phase compressors will rotate in either direction depending upon phasing of the power. Since there is a 50-50 chance of connecting power in such a way as to cause rotation in the reverse direction, **it is important to include notices and instructions in appropriate locations on the equipment to ensure proper rotation direction when the system is installed and operated.**

Observing that suction pressure drops and discharge pressure rises when the compressor is energized allows verification of proper rotation direction. There is no negative impact on durability caused by operating three-phase Copeland Scroll compressors in the reversed direction for a short period of time (under one hour) but oil may be lost. Oil loss can be prevented during reverse rotation if the tubing is routed at least 15 cm above the compressor. After several minutes of operation in reverse, the compressor's protection system will trip due to high motor temperature. The operator will notice a lack of cooling. However, if allowed to repeatedly restart and run in reverse without correcting the situation, the compressor will be permanently damaged.

All three-phase scroll compressors are identically wired internally. Therefore, once the correct phasing is determined for a specific system or installation, connecting properly phased power leads to the identified compressor terminals will ensure proper rotation direction.

5.7 Starting sound

During the very brief start-up, a clicking sound is audible, resulting from initial contacting of the spirals; it is normal. Due to the design of the Copeland Scroll, the internal compression components always start unloaded even if system pressures are not balanced. In addition, since internal compressor pressures are always balanced at start-up, low-voltage starting characteristics are excellent for Copeland Scroll compressors.

5.8 Deep vacuum operation



CAUTION

Vacuum operation! Compressor damage! Scroll compressors should never be used to evacuate a refrigeration or air-conditioning system.

The scroll compressor can be used to pump down refrigerant in a unit as long as the pressures remain within the operating envelope. Low suction pressures will result in overheating of the scrolls and permanent damage to the compressor drive bearing. ZP and ZR scrolls incorporate internal low vacuum protection; the floating seal unloads when the pressure ratio exceeds approximately 10:1.

5.9 Shell temperature

The top shell and discharge line can briefly but repeatedly reach temperatures above 177°C if the compressor cycles on its internal protection devices. This only happens under rare circumstances and can be caused by the failure of system components such as the condenser or evaporator fan or loss of charge and depends upon the type of expansion control. Care must be taken to ensure that wiring or other materials that could be damaged by these temperatures do not come in contact with the shell.

5.10 Pumpdown cycle

A pumpdown cycle may be used in conjunction with the crankcase heater to control refrigerant migration when the compressor is located so that cold air blowing over the compressor makes the crankcase heater ineffective.

If a pumpdown cycle is used, a separate external check valve must be added. The scroll discharge check valve is designed to stop extended reverse rotation and prevent high-pressure gas from leaking rapidly into the low side after shut-off. The check valve will in some cases leak more than reciprocating compressor discharge reeds, normally used with pumpdown, causing the scroll compressor to recycle more frequently. Repeated short-cycling of this nature can result in a low oil situation and consequent damage to the compressor. The low-pressure control differential has to be reviewed since a relatively large volume of gas will re-expand from the high side of the compressor into the low side after shutdown.

Pressure control setting: Never set the low-pressure control to shut off outside of the operating envelope. To prevent the compressor from running into problems during such faults as loss of charge or partial blockage, the control should not be set lower than 12 to 15K equivalent suction pressure below the lowest design operating point.

5.11 Pump-out cycle

A pump-out cycle has been successfully used by some manufacturers of large rooftop units. After an extended off period, a typical pump-out cycle will energize the compressor for up to one second followed by an off time of 5 to 20 seconds. This cycle is usually repeated a second time, the third time the compressor stays on for the cooling cycle.

5.12 Minimum run time

Emerson recommends a maximum of 10 starts per hour. There is no minimum off time because scroll compressors start unloaded, even if the system has unbalanced pressures. The most critical consideration is the minimum run time required to return oil to the compressor after start-up. To establish the minimum run time, obtain a sample compressor equipped with a sight tube (available from Emerson) and install it in a system with the longest connecting lines that are approved for the system. The minimum on time becomes the time required for oil lost during compressor start-up to return to the compressor sump and restore a minimal oil level that will ensure oil pick-up through the crankshaft. Cycling the compressor for a shorter period than this, for instance to maintain very tight temperature control, will result in progressive loss of oil and damage to the compressor.

5.13 Shut-off sound

Scroll compressors incorporate a device that minimizes reverse rotation. The residual momentary reversal of the scrolls at shut off will cause a clicking sound, but it is entirely normal and has no effect on compressor durability.

5.14 Supply frequency and voltage

There is no general release of standard Copeland Scroll compressors for use with variable speed AC drives. A number of considerations must be taken into account when applying Scroll compressors with variable speed, including system design, inverter selection, and operating envelopes at various conditions. Only frequencies from 50 Hz to 60 Hz are acceptable. Operation outside this frequency range is possible but should not be done without specific Application Engineering review. The voltage must vary proportionally to the frequency.

If the inverter can only deliver a maximum voltage of 400V, the amps will increase when the speed is above 50 Hz, and this may give rise to nuisance tripping if operation is near the maximum power limit and/or compressor discharge temperature limit.

5.15 Oil level

Some systems may contain higher than normal refrigerant charges. Systems with large coils, low ambient condenser flooding, or systems with multiple heat exchangers are among some system configurations that may require additional lubricant. On the Scroll compressor models provided with a sight-glass for oil level viewing, the oil level should always be checked during OEM assembly, field commissioning and field servicing.

The oil level must be carefully monitored during system development, and corrective action should be taken if the compressor oil level falls below the centre of the sight-glass. The compressor oil level should be checked with the compressor "off" to avoid the sump turbulence when the compressor is running. The compressors covered in these guidelines can also be supplied to the OEM with a production sight-tube that can be used to determine the oil level in the compressor in the end-use application.

NOTE: No attempt should be made to increase the oil level in the sight-glass above $\frac{3}{4}$ of the full level. A high oil level in the compressor is not sustainable and the extra oil will be pumped out into the system causing a reduction in system efficiency and a higher than normal oil circulation rate.

6 Maintenance & repair

6.1 Exchanging the refrigerant

Qualified refrigerants and oils are given in section 2.3.1.

It is not necessary to replace the refrigerant with new unless contamination due to an error such as topping up the system with an incorrect refrigerant is suspected. To verify correct refrigerant composition, a sample can be taken for chemical analysis. A check can be made during shut down by comparing the refrigerant temperature and pressure using precision measurements at a location in the system where liquid and vapour phases are present and when the temperatures have stabilised.

In the event that the refrigerant needs replacing, the charge should be recovered using a suitable recovery unit.

In the event that R22 in a system with mineral oil is to be replaced with R407C, the oil must also be changed. Please refer to Technical Information CC7.26.1 "Refrigerant Changeover from HCFC to HFC Refrigerants".

6.2 Rotalock valves

Rotalock valves should be periodically re-torqued to ensure that leak tightness is maintained.

6.3 Replacing a compressor



CAUTION

Inadequate lubrication! Bearing destruction! Exchange the accumulator after replacing a compressor with a burned-out motor. The accumulator oil return orifice or screen may be plugged with debris or may become plugged. This will result in starvation of oil to the new compressor and a second failure.

6.3.1 Compressor replacement

In the case of a motor burnout, the majority of contaminated oil will be removed with the compressor. The rest of the oil is cleaned through the use of suction and liquid line filter driers. A 100% activated alumina suction line filter drier is recommended but must be removed after 72 hours. **It is highly recommended that the suction accumulator be replaced if the system contains one.** This is because the accumulator oil-return orifice or screen may be plugged with debris or may become plugged shortly after a compressor failure. This will result in starvation of oil to the replacement compressor and a second failure. When a single compressor or tandem is exchanged in the field, it is possible that a major portion of the oil may still be in the system. While this may not affect the reliability of the replacement compressor, the extra oil will add to rotor drag and increase power usage.

6.3.2 Start-up of a new or replacement compressor

Rapid charging only on the suction side of a scroll-equipped system or condensing unit can occasionally result in a temporary no start condition for the compressor. The reason for this is that, if the flanks of the compressor happen to be in a sealed position, rapid pressurisation of the low side without opposing high-side pressure can cause the scrolls to seal axially. As a result, until the pressures eventually equalise, the scrolls can be held tightly together preventing rotation. The best way to avoid this situation is to charge on both the high and low sides simultaneously at a rate which does not result in axial loading of the scrolls.

A minimum suction pressure of 1.75 bar must be maintained during charging. Allowing pressure to drop below 0.5 bar for more than a few seconds may overheat scrolls and cause early drive bearing damage. Never install a system in the field and leave it unattended when it has no charge, a holding charge, or with the service valves closed without securely electrically locking out the system. This will prevent unauthorised personnel from accidentally operating the system and potentially ruining the compressor by operating with no refrigerant flow. **Do not start the compressor while the system is in a deep vacuum.** Internal arcing may occur when a scroll compressor is started in a vacuum causing burnout of the internal lead connections.

6.4 Lubrication and oil removal



CAUTION

Chemical reaction! Compressor destruction! Do not mix up ester oils with mineral oil and/or alkyl benzene when used with chlorine-free (HFC) refrigerants.

The compressor is supplied with an initial oil charge. The standard oil charge for use with refrigerants R407C / R410A / R134a is a polyolester (POE) lubricant Emkarate RL 32 3MAF. In the field the oil level could be topped up with Mobil EAL Arctic 22 CC if 3MAF is not available. The standard mineral oil for R22 is Suniso 3GS or Copeland White Oil according to compressor model. See nameplate for original oil charge shown in litres. A field recharge is from 0.05 to 0.1 litre less.

One disadvantage of POE is that it is far more hygroscopic than mineral oil (see **Figure 22**). Only brief exposure to ambient air is needed for POE to absorb sufficient moisture to make it unacceptable for use in a refrigeration system. Since POE holds moisture more readily than mineral oil it is more difficult to remove it through the use of vacuum. Compressors supplied by Emerson contain oil with low moisture content, and it may rise during the system assembling process. Therefore it is recommended that a properly sized filter-drier be installed in all POE systems. This will maintain the moisture level in the oil to less than 50 ppm. If oil is charged into a system, it is recommended to use POE with a moisture content no higher than 50 ppm.

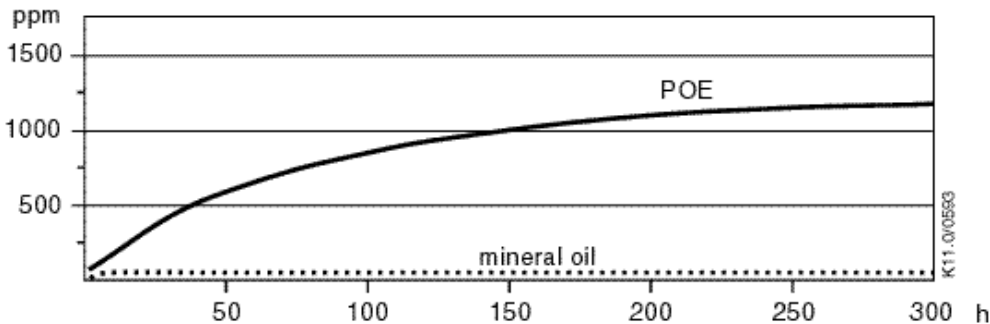


Figure 22: Absorption of moisture in ester oil in comparison to mineral oil in ppm by weight at 25°C and 50% relative humidity (h=hours)

If the moisture content of the oil in a refrigeration system reaches unacceptably high levels, corrosion and copper plating may occur. The system should be evacuated down to 0.3 mbar or lower. If there is uncertainty as to the moisture content in the system, an oil sample should be taken and tested for moisture. Sight glass/moisture indicators currently available can be used with the HFC refrigerants and lubricants; however, the moisture indicator will just show the moisture content of the refrigerant. The actual moisture level of POE would be higher than the sight glass indicates. This is due to the high hygroscopicity of the POE oil. To determine the actual moisture content of the lubricant, samples have to be taken from the system and analysed.

6.5 Oil additives

Although Emerson cannot comment on any specific product, from our own testing and past experience, we do not recommend the use of any additives to reduce compressor bearing losses or for any other purpose. Furthermore, the long term chemical stability of any additive in the presence of refrigerant, low and high temperatures, and materials commonly found in refrigeration systems is complex and difficult to evaluate without rigorously controlled chemical laboratory testing. The use of additives without adequate testing may result in malfunction or premature failure of components in the system and, in specific cases, in voiding the warranty on the component.

6.6 Unbrazing system components



WARNING

Explosive flame! Burning! Oil-refrigerant mixtures are highly flammable. Remove all refrigerant before opening the system. Avoid working with an unshielded flame in a refrigerant charged system.

Before opening up a system it is important to remove all refrigerant from both the high and low sides of the system. If the refrigerant charge is removed from a scroll-equipped unit from the high side only, it is possible for the scrolls to seal, preventing pressure equalization through the compressor. This may leave the low side shell and suction line tubing pressurized. If a brazing torch is then applied to the low side while the low side shell and suction line contain pressure, the pressurized refrigerant and oil mixture could ignite when it escapes and contacts the brazing flame.

To prevent this occurrence, it is important to check both the high and low sides with manifold gauges before unbrazing. Instructions should be provided in appropriate product literature and assembly (line repair) areas. If compressor removal is required, the compressor should be cut out of system rather than unbrazed.

7 Dismantling & disposal



Removing oil and refrigerant:

- Do not disperse in the environment.
- Use the correct equipment and method of removal.
- Dispose of oil and refrigerant in compliance with national legislation and regulations.

Dispose of compressor in compliance with national legislation and regulations.

DISCLAIMER

1. The contents of this publication are presented for informational purposes only and are not to be construed as warranties or guarantees, express or implied, regarding the products or services described herein or their use or applicability.
2. Emerson Climate Technologies GmbH and/or its affiliates (collectively "Emerson"), as applicable, reserve the right to modify the design or specifications of such products at any time without notice.
3. Emerson does not assume responsibility for the selection, use or maintenance of any product. Responsibility for proper selection, use and maintenance of any Emerson product remains solely with the purchaser or end user.
4. Emerson does not assume responsibility for possible typographic errors contained in this publication.

BENELUX

Josephinastraat 19
NL-6462 EL Kerkrade
Tel: +31 45 535 06 73
Fax: +31 45 535 06 71
benelux.sales@emerson.com

GERMANY, AUSTRIA & SWITZERLAND

Theo-Mack Str. 3
DE-63477 Maintal
Tel: +49 6109 605 90
Fax: +49 6109 60 59 40
ECTGermany.sales@emerson.com

FRANCE, GREECE & MAGHREB

8, Allée du Moulin Berger
FR-69134 Ecully Cédex, Technoparc - CS 90220
Tel: +33 4 78 66 85 70
Fax: +33 4 78 66 85 71
mediterranean.sales@emerson.com

ITALY

Via Ramazzotti, 26
IT-21047 Saronno (VA)
Tel: +39 02 96 17 81
Fax: +39 02 96 17 88 88
italy.sales@emerson.com

SPAIN & PORTUGAL

C/ Pujades, 51-55 Box 53
ES-08005 Barcelona
Tel: +34 93 412 37 52
iberica.sales@emerson.com

CZECH REPUBLIC

Hajkova 22
CZ - 133 00 Prague
Tel: +420 733 161 651
Fax: +420 271 035 655
Pavel.Sudek@emerson.com

ROMANIA & BULGARIA

Parcul Industrial Tetarom 2
Emerson Nr. 4 400641 Cluj-Napoca
Tel: +40 374 13 23 50
Fax: +40 374 13 28 11
ro-bg.sales@emerson.com

ASIA PACIFIC

Suite 2503-8, 25/F, Exchange Tower
33 Wang Chiu Road, Kowloon Bay
Kowloon, Hong Kong
Tel: +852 2866 3108
Fax: +852 2520 6227

UK & IRELAND

Unit 17, Theale Lakes Business Park
Reading, Berkshire RG7 4GB
Tel: +44 1189 83 80 00
Fax: +44 1189 83 80 01
uk.sales@emerson.com

SWEDEN, DENMARK, NORWAY & FINLAND

Pascalstr. 65
DE-52076 Aachen
Tel: +49 2408 929 0
Fax: +49 2408 929 525
nordic.sales@emerson.com

EASTERN EUROPE & TURKEY

Pascalstr. 65
DE-52076 Aachen
Tel: +49 2408 929 0
Fax: +49 2408 929 525
easterneurope.sales@emerson.com

POLAND

Szturmowa 2
PL-02678 Warsaw
Tel: +48 22 458 92 05
Fax: +48 22 458 92 55
poland.sales@emerson.com

RUSSIA & CIS

Dubininskaya 53, bld. 5
RU-115054, Moscow
Tel: +7 - 495 - 995 95 59
Fax: +7 - 495 - 424 88 50
ECT.Holod@emerson.com

BALKAN

Selska cesta 93
HR-10 000 Zagreb
Tel: +385 1 560 38 75
Fax: +385 1 560 38 79
balkan.sales@emerson.com

MIDDLE EAST & AFRICA

PO Box 26382
Jebel Ali Free Zone - South, Dubai - UAE
Tel: +971 4 811 81 00
Fax: +971 4 886 54 65
mea.sales@emerson.com

For more details, see www.climate.emerson.com/en-gb
Connect with us: facebook.com/EmersonCommercialResidentialSolutions



Emerson Commercial & Residential Solutions
Emerson Climate Technologies GmbH - Pascalstrasse 65 - 52076 Aachen, Germany
Tel. +49 (0) 2408 929 0 - Fax: +49 (0) 2408 929 570 - Internet: www.climate.emerson.com/en-gb

The Emerson logo is a trademark and service mark of Emerson Electric Co. Emerson Climate Technologies Inc. is a subsidiary of Emerson Electric Co.
Copeland is a registered trademark and Copeland Scroll is a trademark of Emerson Climate Technologies Inc. All other trademarks are property of their respective owners.
Emerson Climate Technologies GmbH shall not be liable for errors in the stated capacities, dimensions, etc., as well as typographic errors. Products, specifications, designs and technical data contained in this document are subject to modification by us without prior notice. Illustrations are not binding.

© 2019 Emerson Climate Technologies, Inc.

EMERSON. CONSIDER IT SOLVED.™